

SYDNEY A [V-02] [PKB 8mm]

SYDNEY A CLEAR [V-02] [PK 4mm]

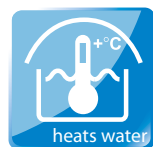
SYDNEY AS [V-01] [PKB 8mm]

SYDNEY AS CLEAR [V-01] [PK 4mm]

BOX



VERZE: 31. 03. 2022 / REVIZE: 12. 09. 2022



BG
 Използването на басейна без покритие е забранено в ANCOE - NF P 90-309.
 Застраховката за отговорност на притежателя може да бъде отменена или намалена в зависимост от условията на застраховката.

DE
 Schwimmbeckenüberdachung: keine Konstruktion.
 Einbruchfrei bei ANCOE Norm - NF P 90-309.
 Die Haftung der Garantie für die eingetragene Schwimmbeckenüberdachung muss durch den Eigentümer gesichert werden.

ES
 Cubierta de piscinas: estructura ligera.
 Construcción a ANCOE Norm - NF P 90-309.
 La cobertura debe estar sujeta a un sistema de fijación que asegure su uso seguro por el propietario.

FR
 Hors de piscine: construction légère.
 Conforme à norme ANCOE - NF P 90-309.
 La couverture doit être soumise à un système de fixation qui assure par le propriétaire.

HU
 Medencefedéltek: könnyű szerkezet.
 ANCOE - NF P 90-309 megfelel.
 A fedélnek megfelelően kell rögzíteni a tulajdonos által biztosított.

CN
 非泳池覆盖物：轻型结构。
 符合 ANCOE 标准 - NF P 90-309。
 覆盖物应根据业主提供的固定系统安装。

LT
 Šilgiamis vandens baseinams konstrukcija.
 Tinka ANCOE - NF P 90-309.
 Tvirtinimas turi būti atliktas pagal pramoninį standartą, kurį patvirtina savininkas.

PL
 Zadaszkiwnie basenów: liska konstrukcja.
 Zgodnie z normą ANCOE - NF P 90-309.
 Konstrukcja musi być wykonana zgodnie z przepisami, które zostały zaakceptowane przez właściciela.

RU
 Тент для бассейнов: легкая конструкция.
 Соответствует нормам ANCOE - NF P 90-309.
 Тент должен быть установлен в соответствии с требованиями, одобренными собственником.

SL
 Nadstrešnica za bazen: lahka konstrukcija.
 V skladu s ANCOE - NF P 90-309.
 Nadstrešnica mora biti nameščena v skladu s predpisami, ki jih odobri lastnik.

CZ
 Bazénové zastřešení: lehká konstrukce.
 V souladu s ANCOE - NF P 90-309.
 Střešní konstrukce musí být instalována v souladu s předpisy, které schválil vlastník.

DK
 Bassinoverdækning: let konstruktion.
 I overensstemmelse med ANCOE - NF P 90-309.
 Dækket skal være fastgjort i overensstemmelse med de regler, der er godkendt af ejeren.

EE
 Basiniivõrkade: lihtsustruktuur.
 Vastavalt normalele ANCOE - NF P 90-309.
 Kattestruktuur peab olema paigaldatud vastavalt omaniku poolt heakskiidetud nõuetele.

GB
 The swimming pool enclosure: light weight construction.
 In compliance with ANCOE - NF P 90-309.
 The enclosure must comply with the rules, or adjacent enclosure has to be secured by owner.

HR
 Nadstrešnice bazena: laka konstrukcija.
 U skladu sa ANCOE - NF P 90-309.
 Nadstrešnica mora biti sigurno pričvršćena u skladu s pravilima koje odobri vlasnik.

IT
 Copertura per piscine: costruzione leggera.
 In regola con ANCOE - NF P 90-309.
 L'opera deve essere installata in conformità con le norme approvate dal proprietario.

LV
 Bāzēnu jumts: viegla konstrukcija.
 Saskaņā ar ANCOE - NF P 90-309.
 Jumts jāinstalē saskaņā ar noteiktajiem noteikumiem, kurus apstiprina īpašnieks.

RO
 Acoperire pentru piscine: constructie usoara.
 In conformitate cu ANCOE - NF P 90-309.
 Acoperirea trebuie instalata in conformitate cu regulile aprobate de proprietar.

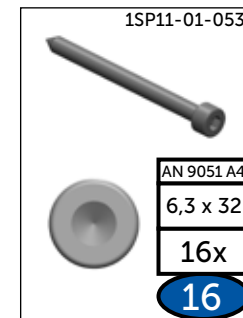
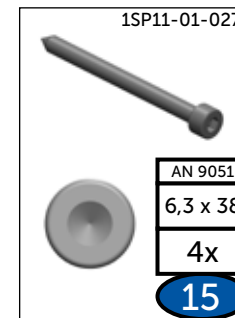
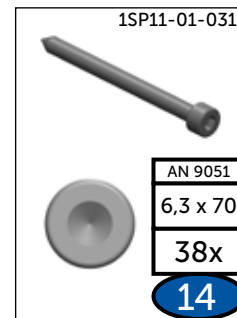
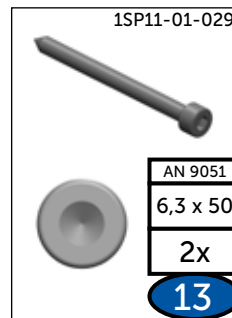
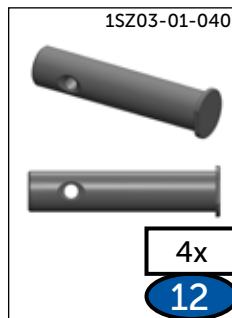
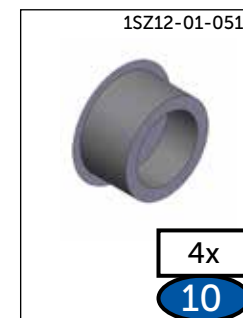
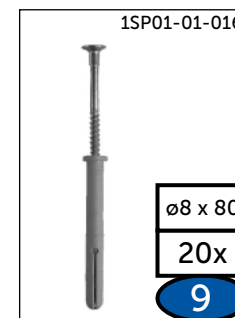
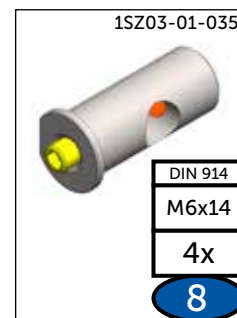
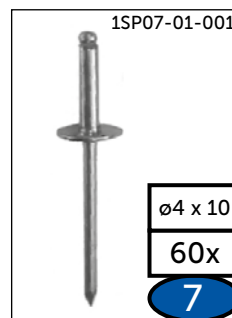
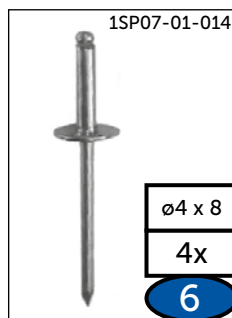
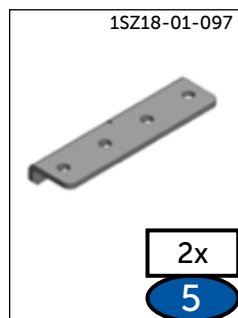
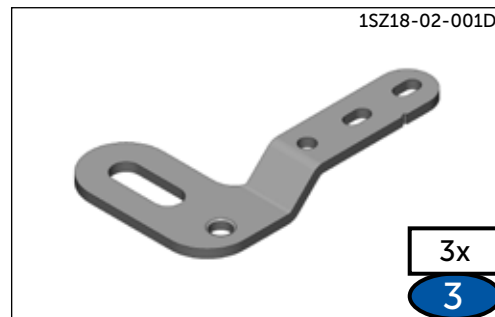
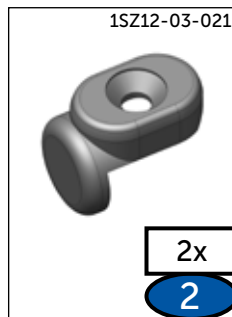
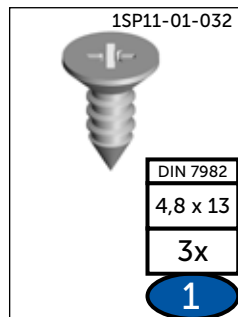
SE
 Pooltäck: let konstruktion.
 I överensstämmelse med ANCOE - NF P 90-309.
 Täckningen ska installeras i överensstämmelse med de bestämmelser som godkännts av ägaren.

SK
 Bazénové zastřešenie: ľahká konštrukcia.
 V súlade s ANCOE - NF P 90-309.
 Prístrešková konštrukcia musí byť inštalovaná v súlade s predpismi, ktoré schválil majiteľ.



TYP	PRODUKT
KL	SYDNEY - kolej vlevo
	SYDNEY - Rails on the left side only
	SYDNEY - einseitige Schiene links
	SYDNEY - rail d'un seul coté à gauche
	SYDNEY - в исполнении с рельсами с одной стороны - налево

TYP	PRODUKT
KP	SYDNEY - kolej vpravo
	SYDNEY - Rails on the right side only
	SYDNEY - einseitige Schiene rechts
	SYDNEY - rail d'un seul coté à droit
	SYDNEY - в исполнении с рельсами с одной стороны - направо





1NA03-01-050

1x
17

1CH02-01-011
1SZ28-01-001

1x
18

1SZ01-02-007 1SP03-01-008 1SP11-01-010

a b c

7x 7x 21x

DIN 7982 TX
5,5x45

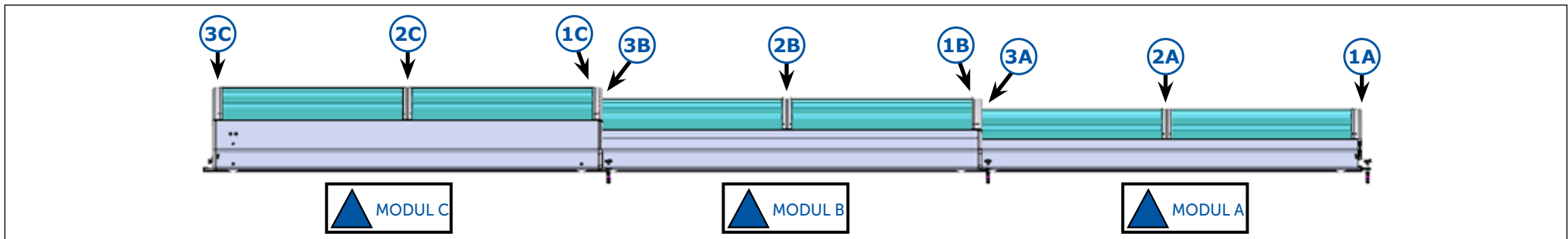
Pouze pro dřevěné a dřevoplastové podlahy
Only for wooden and wood-plastic floors
Nur für Holz- und Holz-Kunststoffböden
Uniquement pour les planchers en bois et en bois-plastique
Только для деревянных и древесно-пластиковых полов

2Z06-03-SD001

7x
19

2Z06-03-SD004

6x
3x
KEY
20



2Z12-01-SM008D - 1A
2Z12-01-SM009D - 2A
2Z12-01-SM010D - 3A

MODUL A	
1A	1x
2A	1x
3A	1x

21
22
23

2Z12-01-SM011D - 1B
2Z12-01-SM012D - 2B
2Z12-01-SM013D - 3B

MODUL B	
1B	1x
2B	1x
3B	1x

24
25
26



2Z12-01-SM014D - 1C	
2Z12-01-SM015D - 2C	
2Z12-01-SM016D - 3C	
	MODUL C
1C	1x 27
2C	1x 28
3C	1x 29

Sydney A/ Clear A 2Z04-01-SD001	1041 mm
Sydney AS/Clear AS 2Z04-01-SD004	906 mm

24x
36

Sydney A/ Clear A 2Z05-01-SD001	1041 mm
Sydney AS/Clear AS 2Z05-01-SD005	906 mm

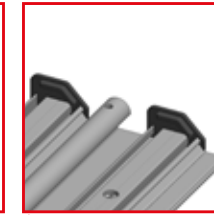
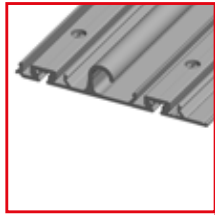
6x
37

2Z01-01-SD045

A
3230 mm
1x
40

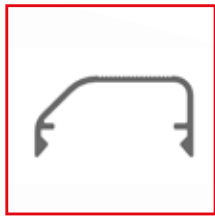


2Z01-01-SD051 - Sydney A
2Z01-01-SD056 - Sydney AS



	D
Sydney A/ Clear A	3280 mm
Sydney AS/Clear AS	2470 mm
	1x
	42

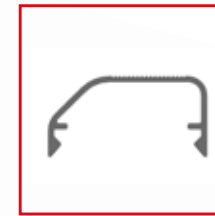
2Z01-01-SD002



A
3230 mm
2x
43



2Z01-01-SD040 - Sydney A
2Z01-01-SD057 - Sydney AS



Sydney A/ Clear A	3280 mm
Sydney AS/Clear AS	2470 mm
	D
	2x
	44



MODUL A

2Z12-01-DP020



193 mm
1x
45

MODUL C

2Z12-01-DP018



314 mm
1x
46

MODUL A

2Z12-01-DP019



3549 mm
1x
47

MODUL C

2Z12-01-DP017



3829 mm
1x
48



MODUL C	OPTIONAL "KL" - STANDARD		<table border="1"> <tr> <td>Sydney A/ Clear A 2Z02-09-SR009</td> <td>2150 mm</td> </tr> <tr> <td>Sydney AS/Clear AS 2Z02-09-SR067</td> <td>1880 mm</td> </tr> </table>	Sydney A/ Clear A 2Z02-09-SR009	2150 mm	Sydney AS/Clear AS 2Z02-09-SR067	1880 mm
Sydney A/ Clear A 2Z02-09-SR009	2150 mm						
Sydney AS/Clear AS 2Z02-09-SR067	1880 mm						
		1x	52				

MODUL C	OPTIONAL "KL" - STANDARD		<table border="1"> <tr> <td>Sydney A/ Clear A 2Z02-09-SR010</td> <td>2150 mm</td> </tr> <tr> <td>Sydney AS/Clear AS 2Z02-09-SR068</td> <td>1880 mm</td> </tr> </table>	Sydney A/ Clear A 2Z02-09-SR010	2150 mm	Sydney AS/Clear AS 2Z02-09-SR068	1880 mm
Sydney A/ Clear A 2Z02-09-SR010	2150 mm						
Sydney AS/Clear AS 2Z02-09-SR068	1880 mm						
		1x	53				

MODUL B	"KL" = "KP"		<table border="1"> <tr> <td>Sydney A/ Clear A 2Z02-09-SR003</td> <td>2150 mm</td> </tr> <tr> <td>Sydney AS/Clear AS 2Z02-09-SR013</td> <td>1880 mm</td> </tr> </table>	Sydney A/ Clear A 2Z02-09-SR003	2150 mm	Sydney AS/Clear AS 2Z02-09-SR013	1880 mm
Sydney A/ Clear A 2Z02-09-SR003	2150 mm						
Sydney AS/Clear AS 2Z02-09-SR013	1880 mm						
		1x	54				



MODUL B

"KL" = "KP"

Sydney A/ Clear A 2Z02-09-SR004	2150 mm
Sydney AS/Clear AS 2Z02-09-SR014	1880 mm

1x

55

MODUL A

"KL" = "KP"

Sydney A/ Clear A 2Z02-09-SR001	2150 mm
Sydney AS/Clear AS 2Z02-09-SR011	1880 mm

1x

56

MODUL A

"KL" = "KP"

Sydney A/ Clear A 2Z02-09-SR002	2150 mm
Sydney AS/Clear AS 2Z02-09-SR012	1880 mm

1x

57

Sydney A/ Clear A 2Z02-09-SD027	2150 mm
Sydney AS/Clear AS 2Z02-09-SR028	1880 mm

6x

58



2Z12-01-DK010 - Sydney A
 2Z12-05-DK010 - Sydney A Clear
 2Z12-19-DK010 - Sydney AS
 2Z12-20-DK010 - Sydney AS Clear

Sydney A/ Clear A	1789 x 1050 mm
Sydney AS/Clear AS	1789 x 915 mm

OUT

MODUL A

4x

60

2Z12-01-DK011 - Sydney A
 2Z12-05-DK011 - Sydney A Clear
 2Z12-19-DK011 - Sydney AS
 2Z12-20-DK011 - Sydney AS Clear

Sydney A/ Clear A	1859 x 1050 mm
Sydney AS/Clear AS	1859 x 915 mm

OUT

MODUL B

4x

61

2Z12-01-DK012 - Sydney A
 2Z12-05-DK012 - Sydney A Clear
 2Z12-19-DK012 - Sydney AS
 2Z12-20-DK012 - Sydney AS Clear

Sydney A/ Clear A	1929 x 1050 mm
Sydney AS/Clear AS	1929 x 915 mm

OUT

MODUL C

4x

62

2Z12-01-DK003
 2Z12-01-DK004

MODUL A

2x

64

2Z12-09-DK001
 2Z12-09-DK002

MODUL C

2x

65

2Z12-01-DO009

MODUL A

2x

66

2Z12-01-DO008

MODUL C



2x

67



⚠ only SYDNEY CLEAR ⚠

2Z12-05-DO010 - Sydney A Clear
2Z12-20-DO010 - Sydney AS Clear


Sydney Clear A/AS	1789 mm
Sydney Clear A	1030 mm
Sydney Clear AS	915 mm

MODUL A

8x

68

2Z12-05-DO011 - Sydney A Clear
2Z12-20-DO011 - Sydney AS Clear






Sydney Clear A/AS	1859 mm
Sydney Clear A	1030 mm
Sydney Clear AS	915 mm

MODUL B

8x

69

2Z12-05-DO012 - Sydney A Clear
2Z12-20-DO012 - Sydney AS Clear

Sydney Clear A/AS	1929 mm
Sydney Clear A	1030 mm
Sydney Clear AS	915 mm

MODUL C

8x


70



MODUL A  2Z09-01-SD076 1x 72	MODUL A  2Z09-01-SD077 1x 73	MODUL A  2Z09-01-SD078 1x 74	MODUL A  2Z09-01-SD079 1x 75
MODUL B  2Z09-01-SD072 1x 76	MODUL B  2Z09-01-SD073 1x 77	MODUL B  2Z09-01-SD074 1x 78	MODUL B  2Z09-01-SD075 1x 79
MODUL C  2Z09-01-SD064 1x 80	MODUL C  2Z09-01-SD065 1x 81	MODUL C  2Z09-01-SD066 1x 82	MODUL C  2Z09-01-SD067 1x 83




2Z09-01-SD020



1x

88


2Z09-01-SD021



1x

89


2Z09-01-SD003



4x

90

1SP10-01-077



DIN 912
M 5x65
4x

91


1SP10-01-084



ISO 7380
M 6x20
8x

92


1SZ18-02-010



6x

93


1SZ18-02-012



12x

94


1SP11-01-049



AN 9051
4,8x60
18x

95


1SP10-01-078



DIN 912
M 6x65
12x

96


1SP10-01-082



DIN 912
M 6x100
12x

97


1SZ03-01-038



6x

98

1SZ03-01-030



12x

99

1SZ12-01-010



24x

100

2Z06-03-SD003



1x

102

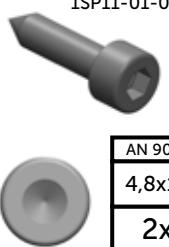
1SZ12-01-052



4x

104


1SP11-01-050



AN 9051
4,8x19
2x

105

1SZ04-01-019 1SZ04-01-026 1SP10-01-116 1SP08-01-015



A B C D


DIN 912
M8x20

DIN 440R
M8

2x

106


1SZ12-03-020



1x

107

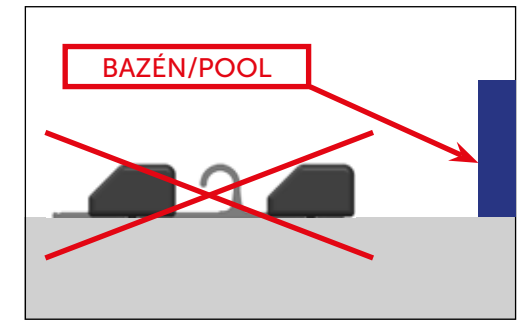
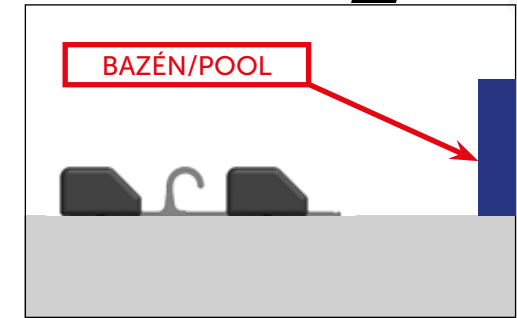
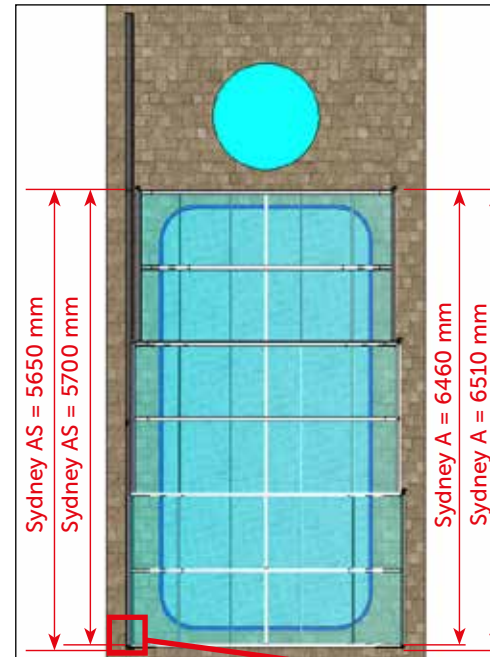
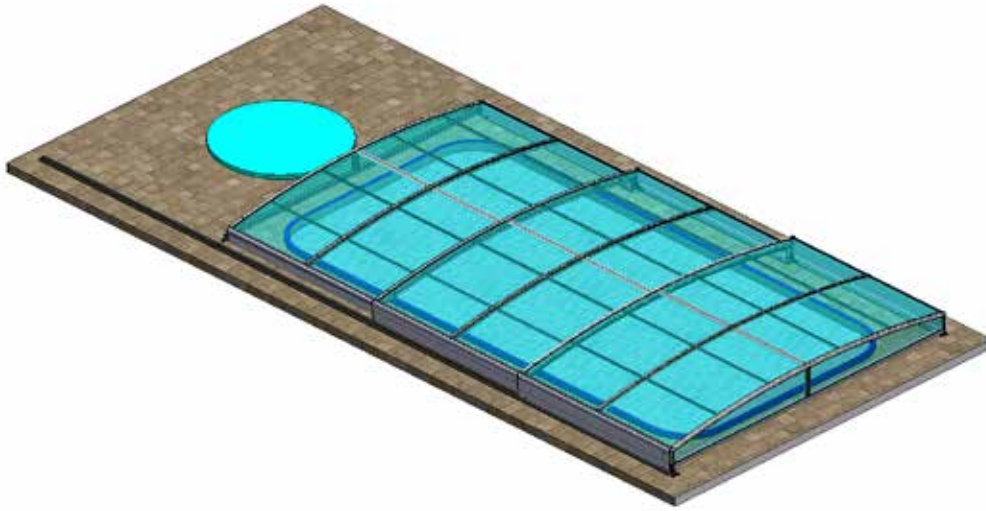
1SP10-01-025



DIN912
M6x25
8x

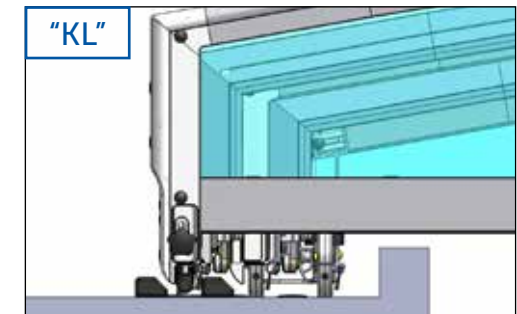
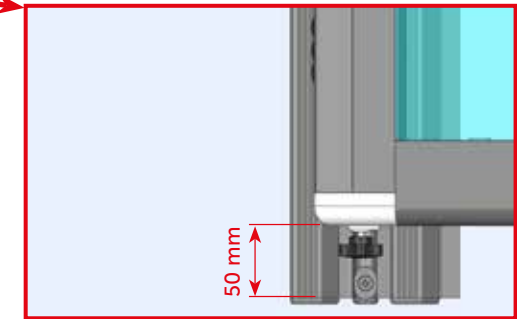
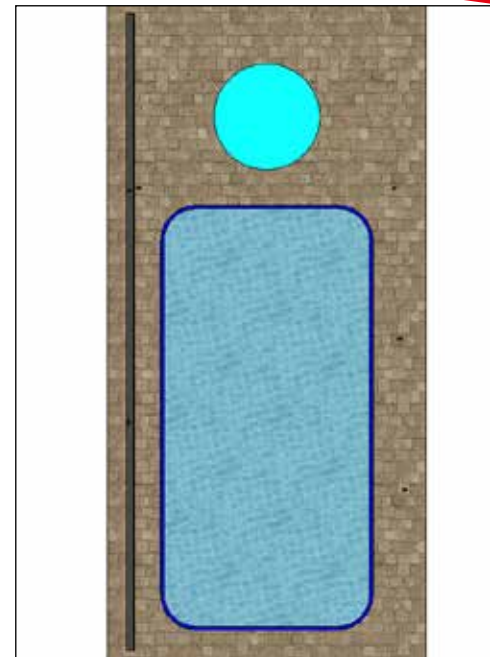
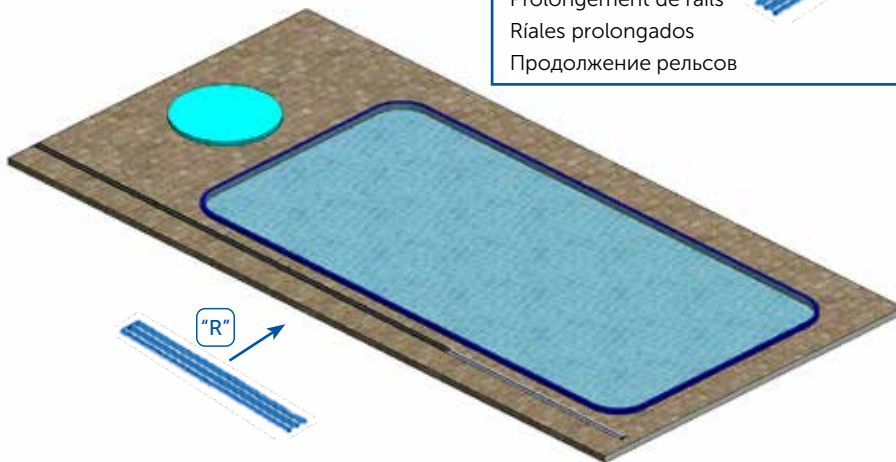
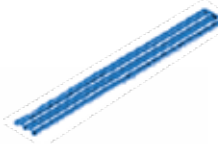
108

OPTIONAL "KL"

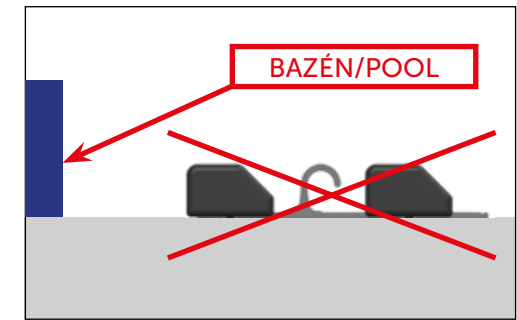
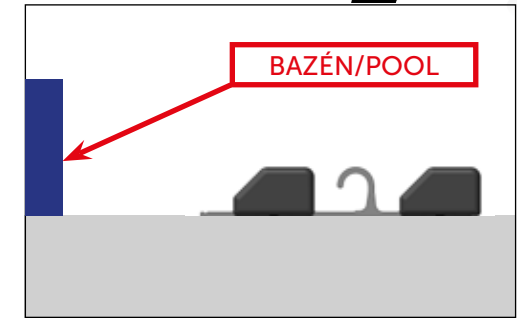
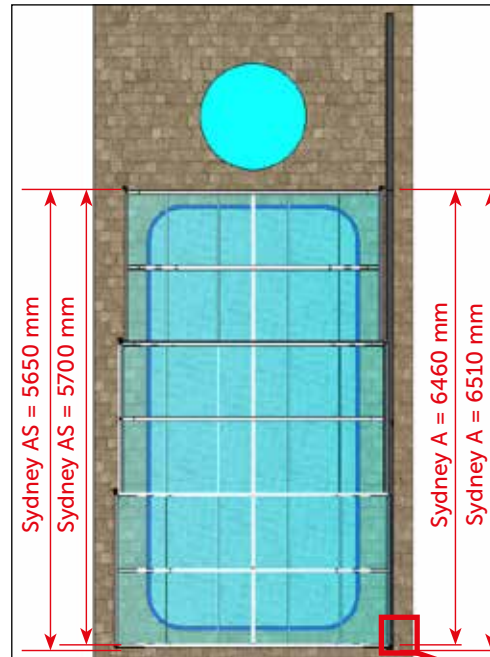
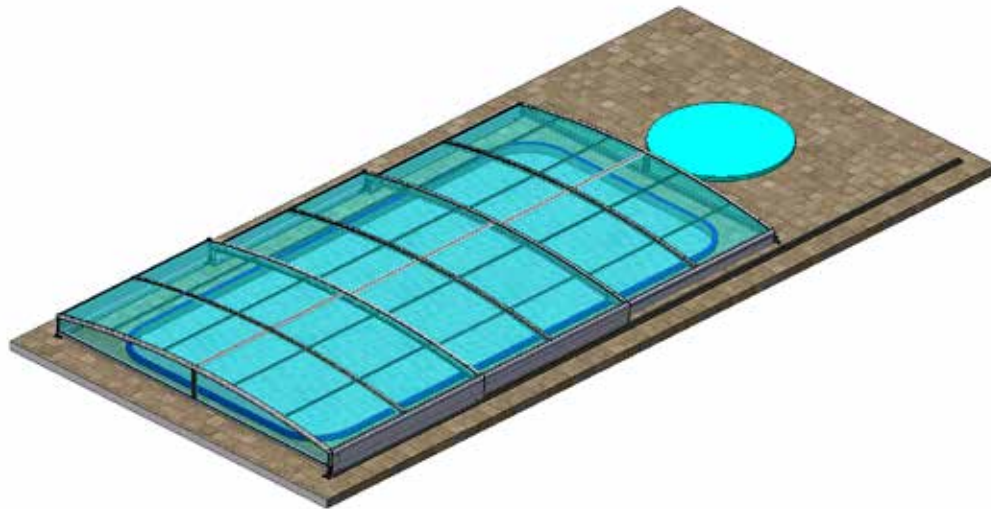


OPTIONAL "R"

- Prodloužení kolejí
- Rail extension
- Schienenverlängerung
- Prolongement de rails
- Riales prolongados
- Продолжение рельсов

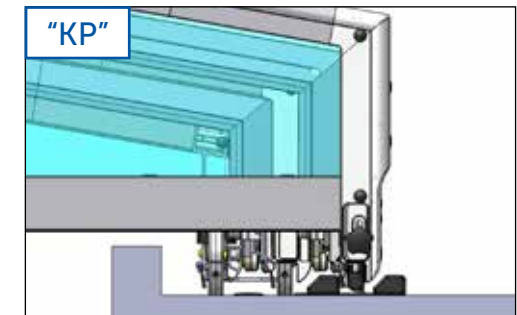
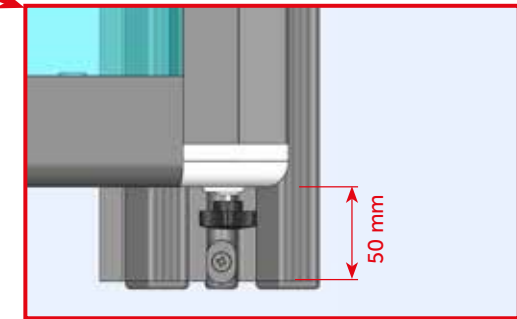
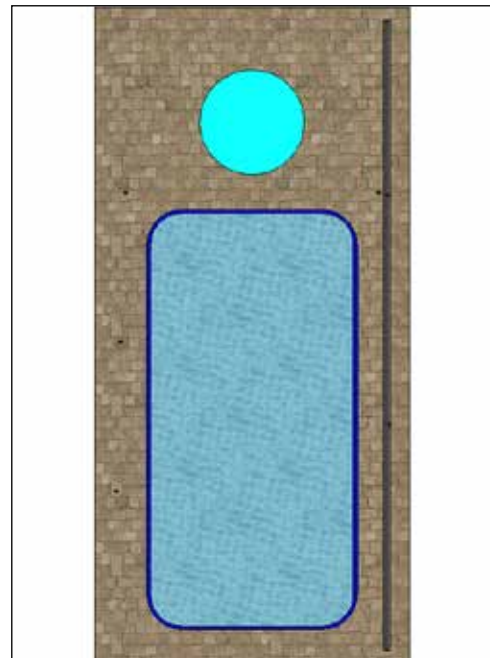
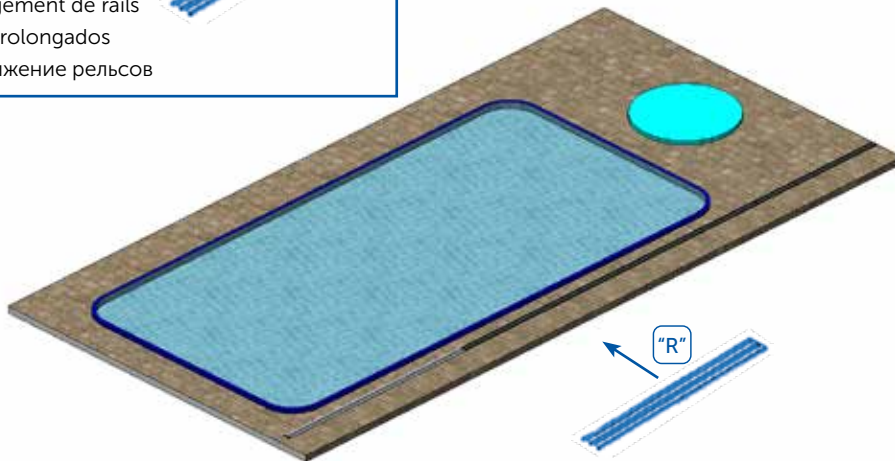
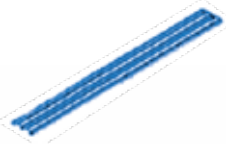


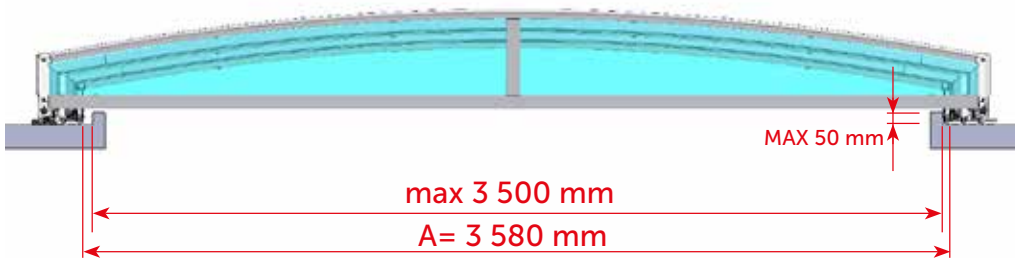
OPTIONAL "KP"



OPTIONAL "R"

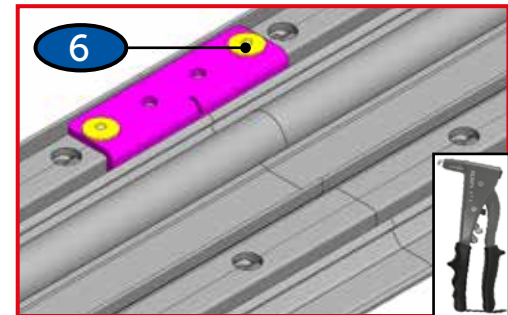
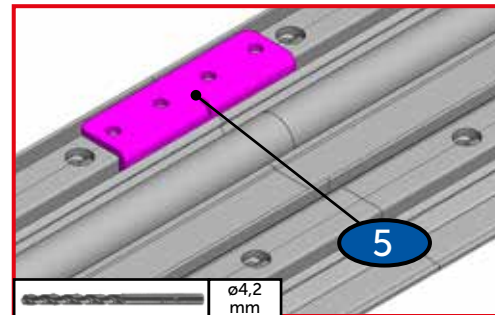
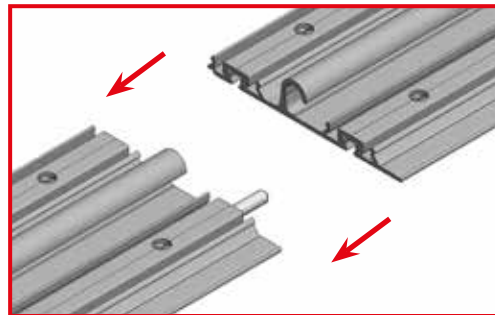
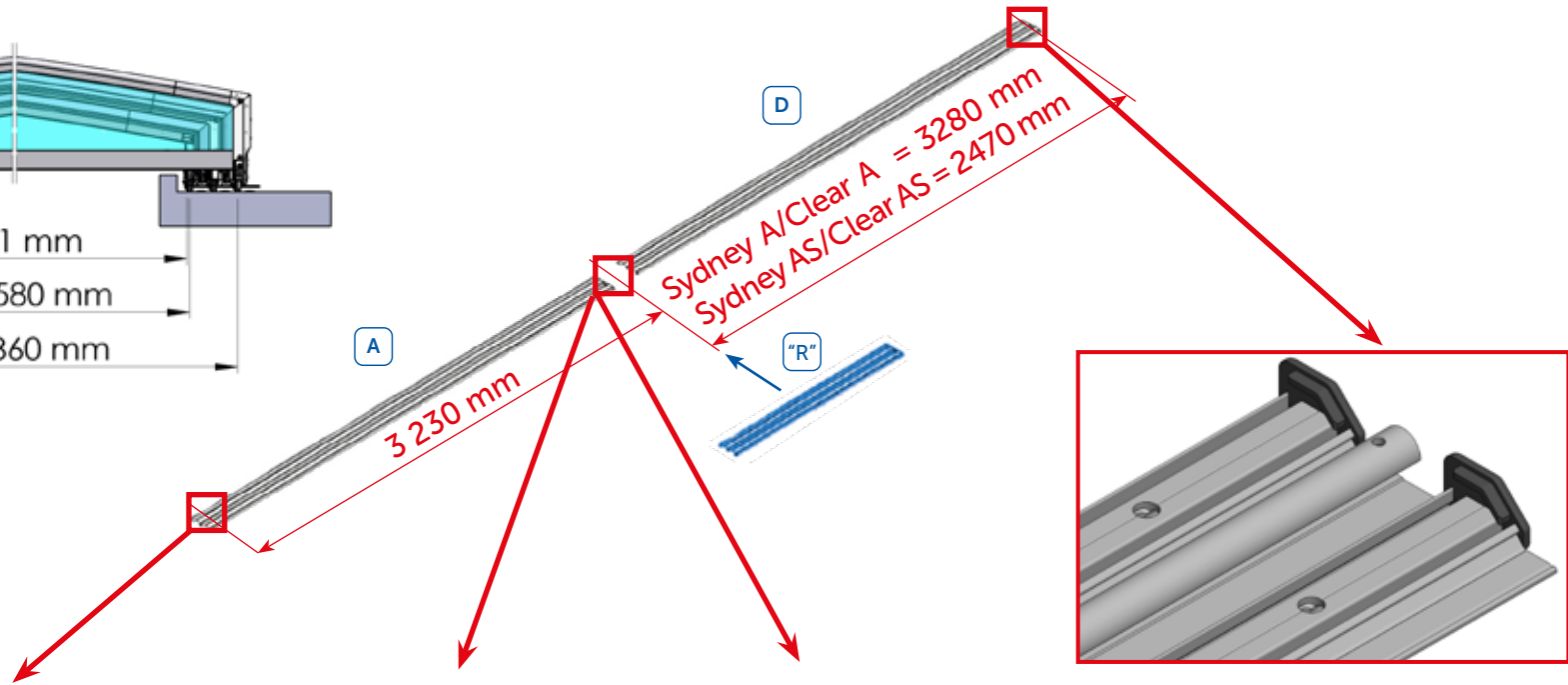
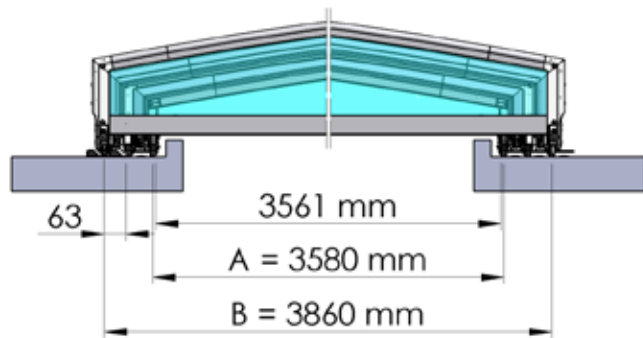
- Prodloužení kolejí
- Rail extension
- Schienenverlängerung
- Prolongement de rails
- Riales prolongados
- Продолжение рельсов

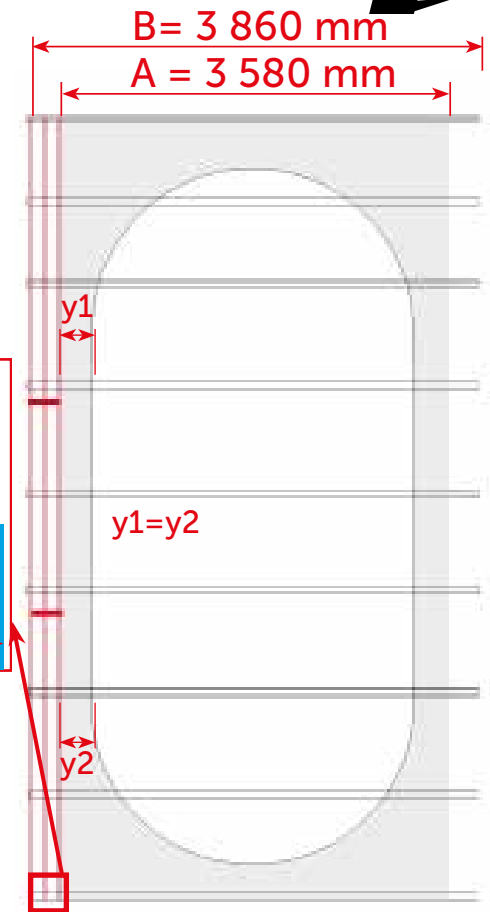
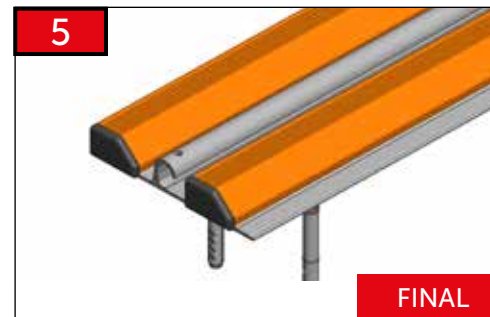
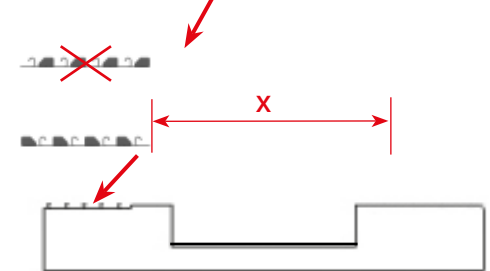
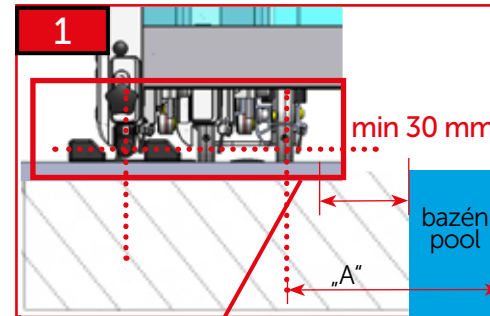
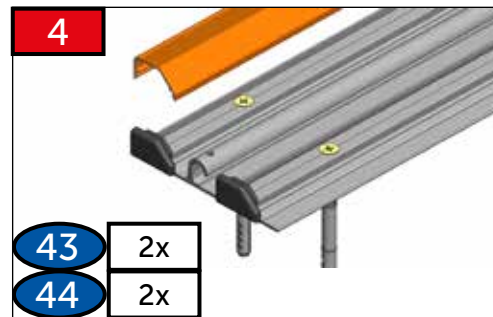
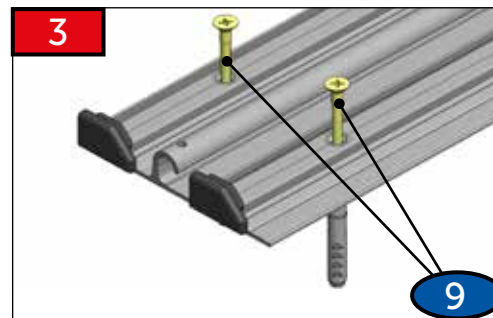
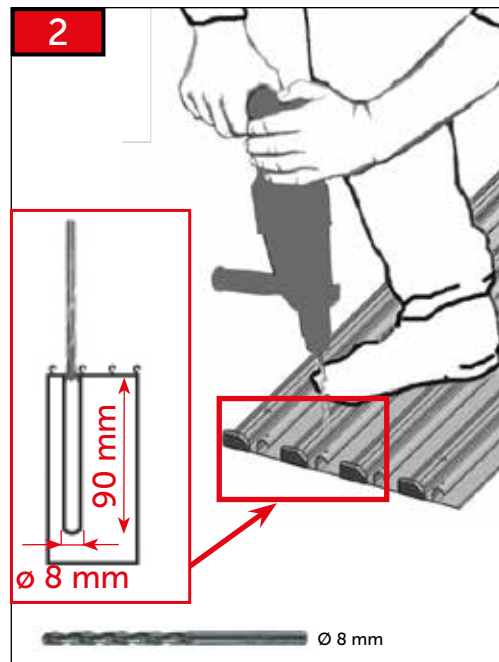
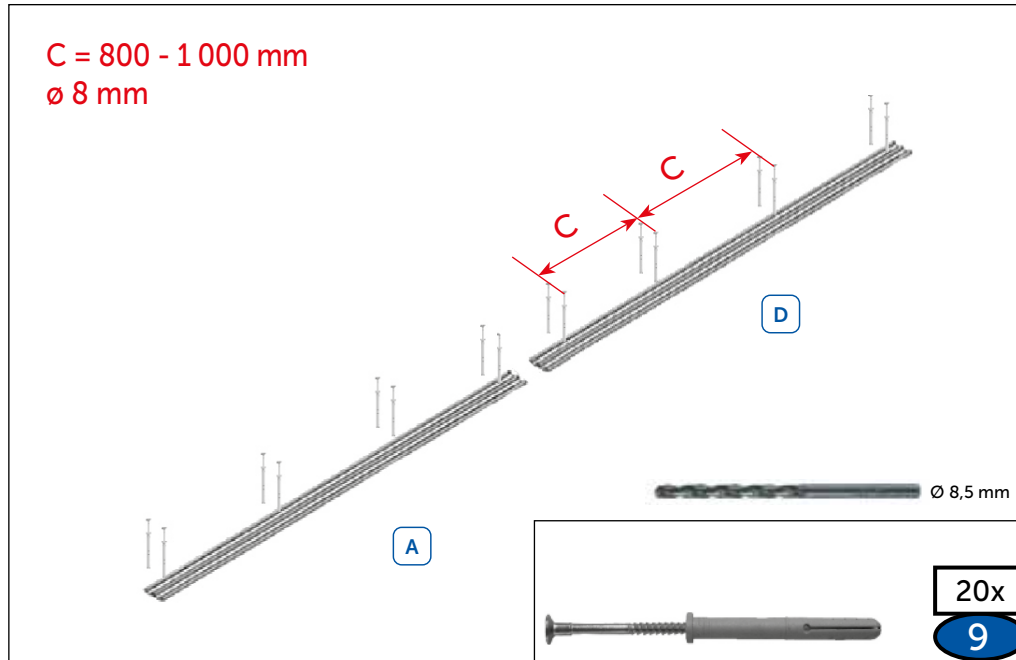




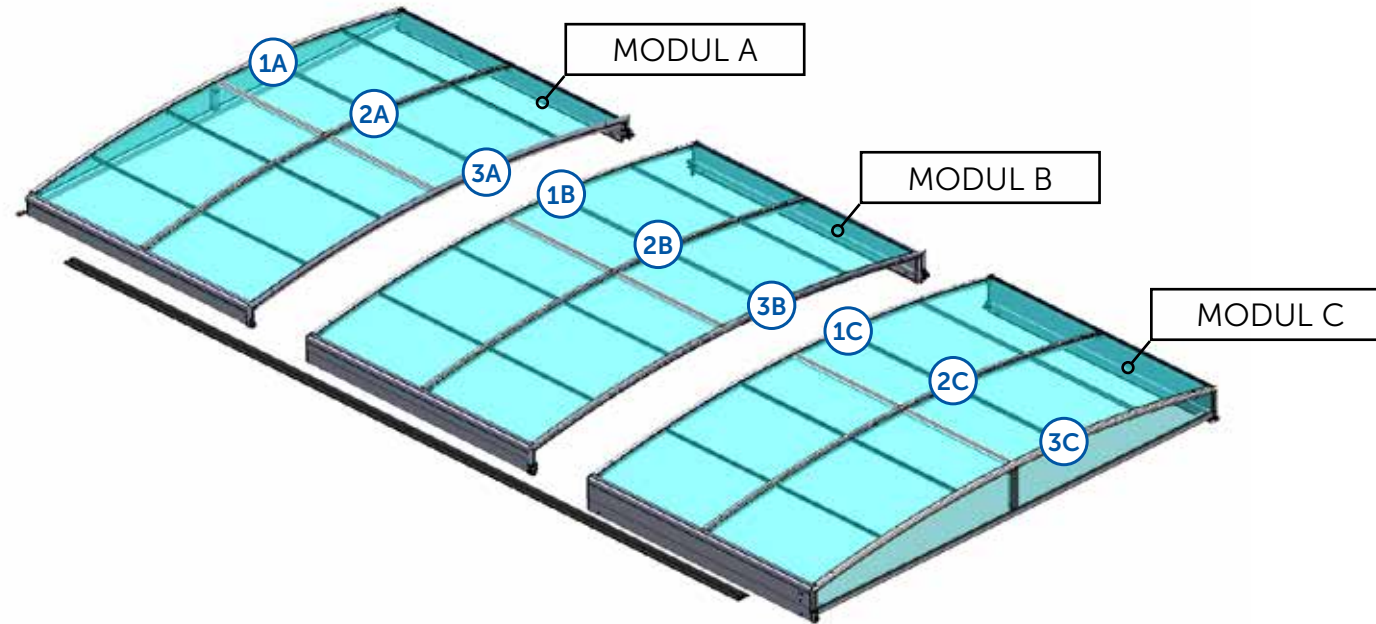
OPTIONAL

- Prodloužení kolejí
- Rail extension
- Schienenverlängerung
- Prolongement de rails
- Ríales prolongados
- Продолжение рельсов

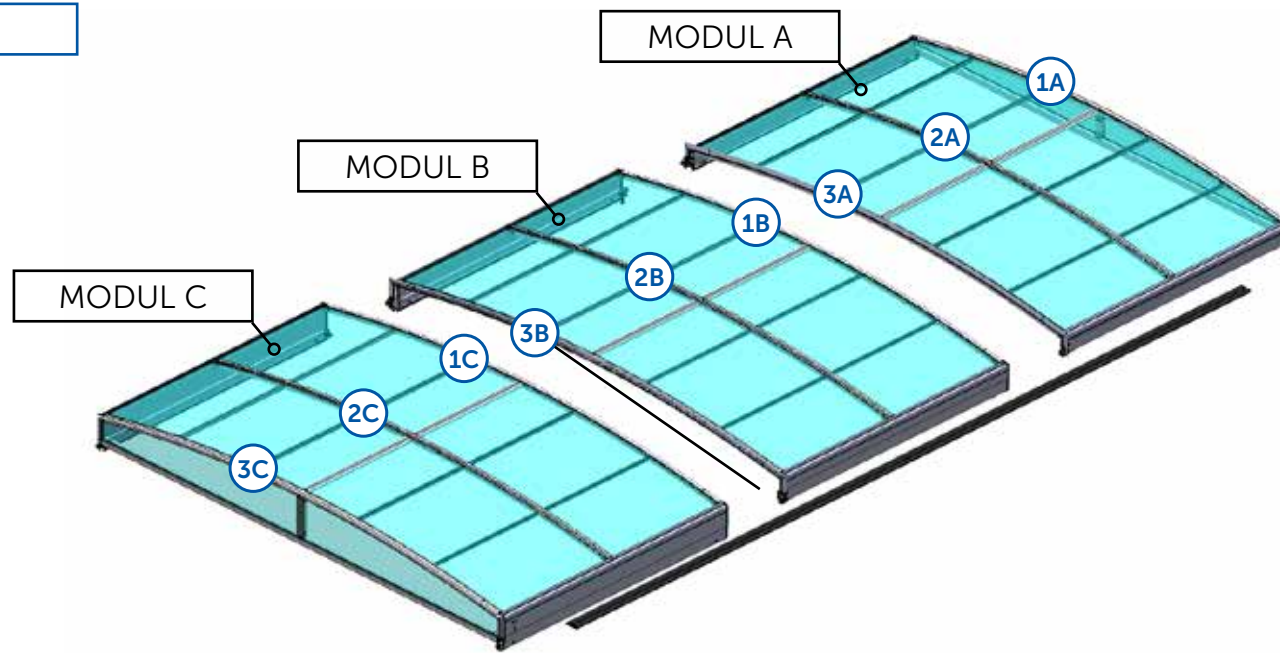




OPTIONAL "KL" - STANDARD

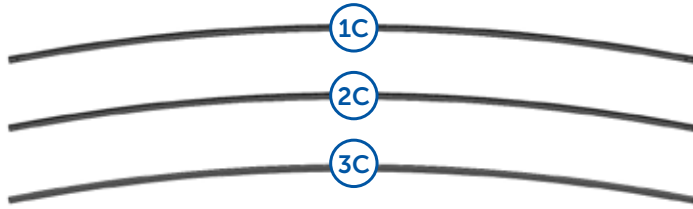


OPTIONAL "KP"



MODUL C

KL → KP
 = výměna koleček v profilech
 = changing wheels in profiles
 = Radwechsel in Profilen
 = changement de roues dans les profils
 = смена колес в профилях



1SP07-01-001

ø4 x 10

20x

7

1SZ03-01-035

DIN 914

M6x14

2x

8

1SZ29-01-008

2x

11

1SZ03-01-040

2x

12

1SP11-01-029

AN 9051

6,3 x 50

1x

13

1SP11-01-031

AN 9051

6,3 x 70

13x

14

1SP11-01-027

AN 9051

6,3 x 38

2x

15

1SP11-01-053

AN 9051 A4

6,3 x 32

4x

16

1NA03-01-050

1x

17

Sydney A/ Clear A 2Z04-01-SD001	1041 mm
Sydney AS/ Clear AS 2Z04-01-SD004	906 mm

8x

36

Sydney A/ Clear A 2Z05-01-SD001	1041 mm
Sydney AS/ Clear AS 2Z05-01-SD005	906 mm

2x

37

2Z12-01-DP018

314 mm

1x

46

2Z12-01-DP017

3829 mm

1x

48

OPTIONAL "KL" - STANDARD

Sydney A/ Clear A 2Z02-09-SR009	2150 mm
Sydney AS/ Clear AS 2Z02-09-SR067	1880 mm

1x

52

OPTIONAL "KL" - STANDARD

Sydney A/ Clear A 2Z02-09-SR010	2150 mm
Sydney AS/ Clear AS 2Z02-09-SR068	1880 mm

1x

53

Sydney A/ Clear A 2Z02-09-SD027	2150 mm
Sydney AS/ Clear AS 2Z02-09-SR028	1880 mm

2x

58

Sydney A/ Clear A	1929 x 1050 mm
Sydney AS/ Clear AS	1929 x 915 mm

MODUL C

4x

62

2x

65

2x

67

2Z09-01-SD066




















1x

82

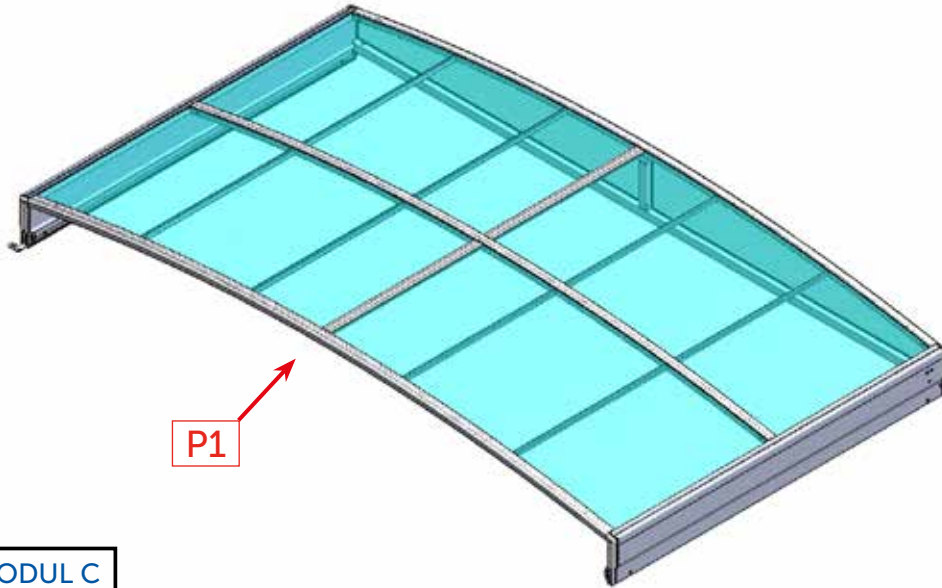
2Z09-01-SD067

1x

83

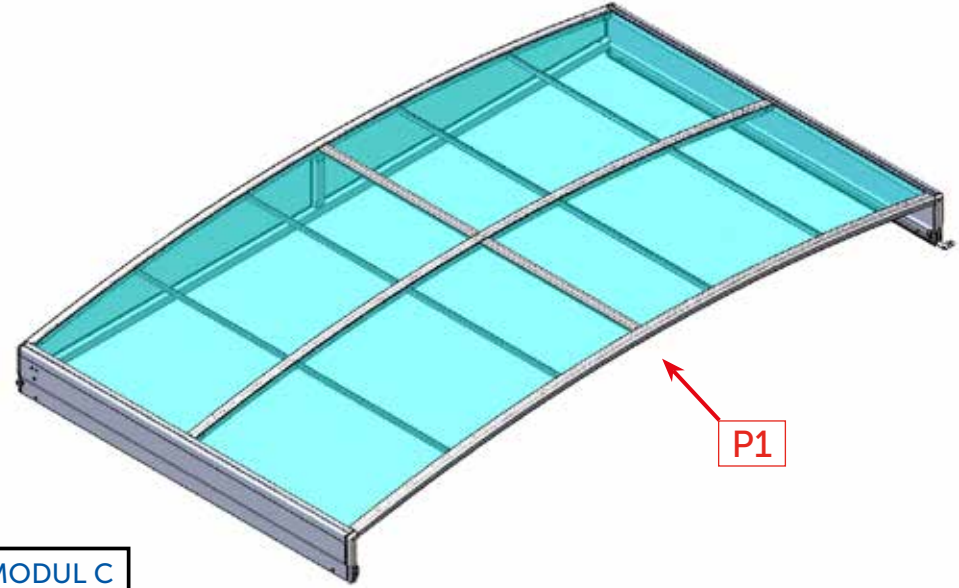
<p>2Z09-01-SD020</p>  <p>1x</p> <p>88</p>	<p>2Z09-01-SD021</p>  <p>1x</p> <p>89</p>	<p>1SP10-01-077</p>  <p>DIN 912 M 5x65</p> <p>2x</p> <p>91</p>	<p>1SP10-01-084</p>  <p>ISO 7380 M 6x20</p> <p>2x</p> <p>92</p>	<p>1SZ18-02-010</p>  <p>2x</p> <p>93</p>	<p>1SZ18-02-012</p>  <p>4x</p> <p>94</p>	<p>1SP11-01-049</p>  <p>AN 9051 4,8x60</p> <p>6x</p> <p>95</p>	<p>1SP10-01-078</p>  <p>DIN 912 M 6x65</p> <p>4x</p> <p>96</p>
<p>1SP10-01-082</p>  <p>DIN 912 M 6x100</p> <p>4x</p> <p>97</p>	<p>1SZ03-01-038</p>  <p>2x</p> <p>98</p>	<p>1SZ03-01-030</p>  <p>4x</p> <p>99</p>	<p>1SZ12-01-010</p>  <p>8x</p> <p>100</p>	<p>1SZ12-01-052</p>  <p>2x</p> <p>104</p>	<p>1SP11-01-050</p>  <p>AN 9051 4,8x19</p> <p>2x</p> <p>105</p>	<p>1SZ12-01-051</p>  <p>2x</p> <p>10</p>	
<p>2Z09-01-SD064</p>  <p>1x</p> <p>80</p>	<p>2Z09-01-SD065</p>  <p>1x</p> <p>81</p>	<p>1SP10-01-025</p>  <p>DIN912 M6x25</p> <p>4x</p> <p>108</p>					
<p>OPTIONAL "KL"</p> <p>1SZ18-02-001D</p>  <p>1x</p> <p>3</p>	<p>OPTIONAL "KP"</p> <p>1SZ18-02-002D</p>  <p>1x</p> <p>4</p>						

OPTIONAL "KL" - STANDARD

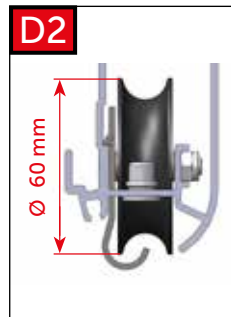
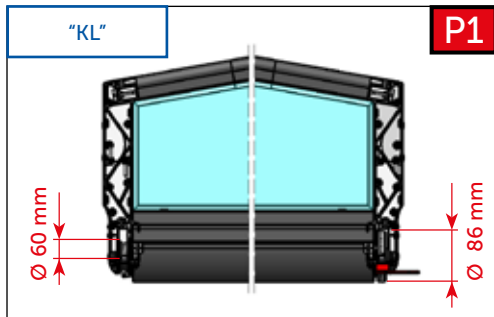
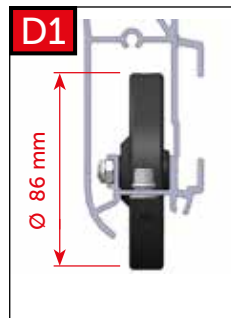
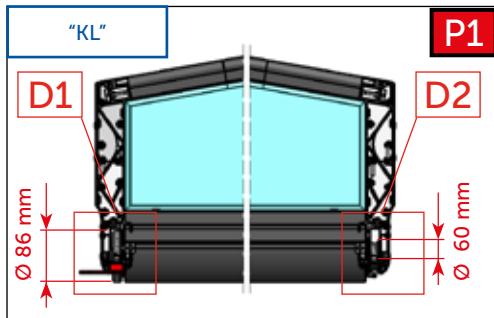


MODUL C

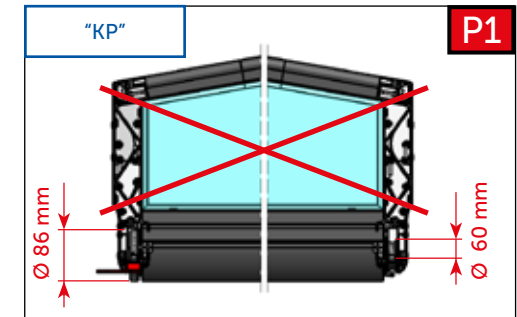
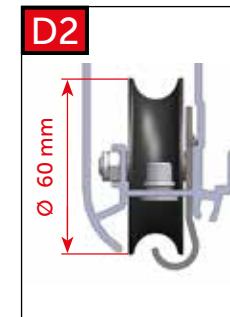
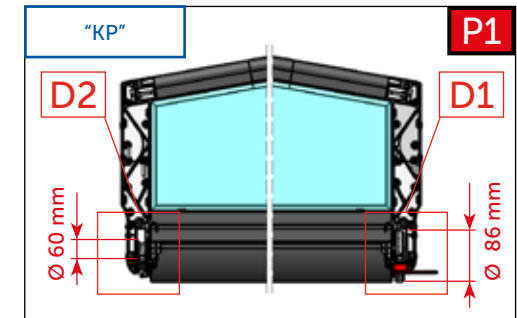
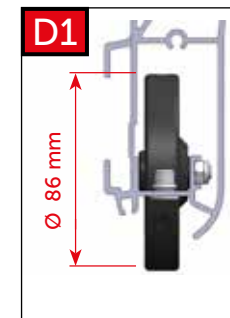
OPTIONAL "KP"



MODUL C



KL → KP
 = výměna koleček v profilech
 = changing wheels in profiles
 = Radwechsel in Profilen
 = changement de roues dans les profils
 = смена колес в профилях



1 KL → KP

1a

1a

- = demontáž
- = disassembly
- = Demontage
- = démontage
- = удаление

1x

52

1

4a

4a

- = demontáž
- = disassembly
- = Demontage
- = démontage
- = удаление

1x

53

1a

2

1.

2.

4a

5

3

1 KL → KP

1a

- = montáž
- = montage
- = Montage
- = assemblage
- = монтаж

1x

52

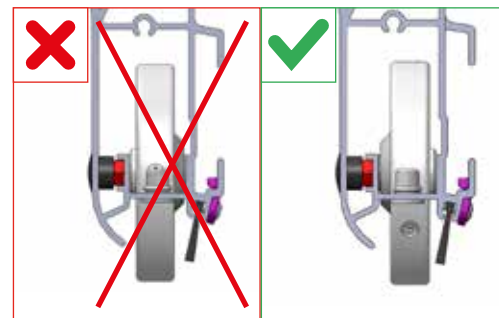
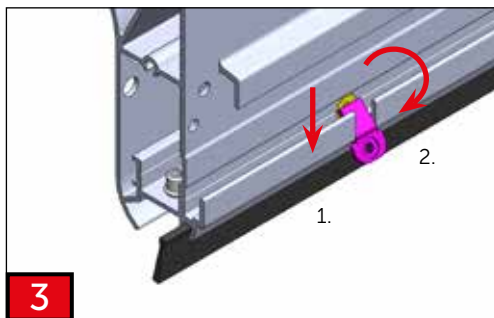
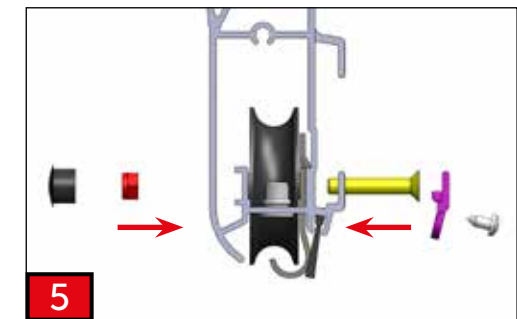
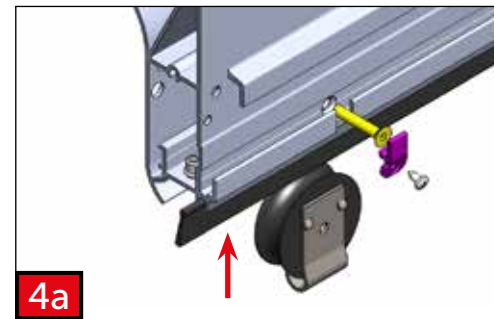
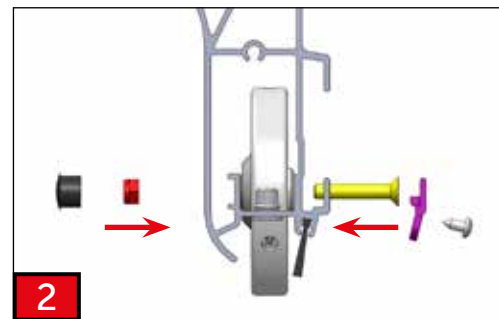
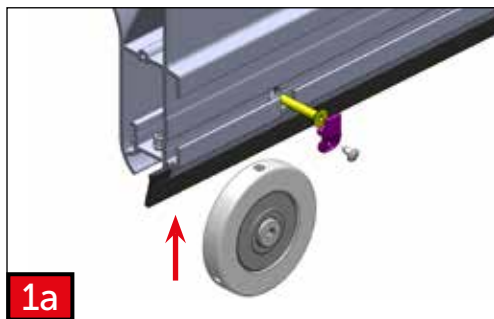
1

4a

- = montáž
- = montage
- = Montage
- = assemblage
- = монтаж

1x

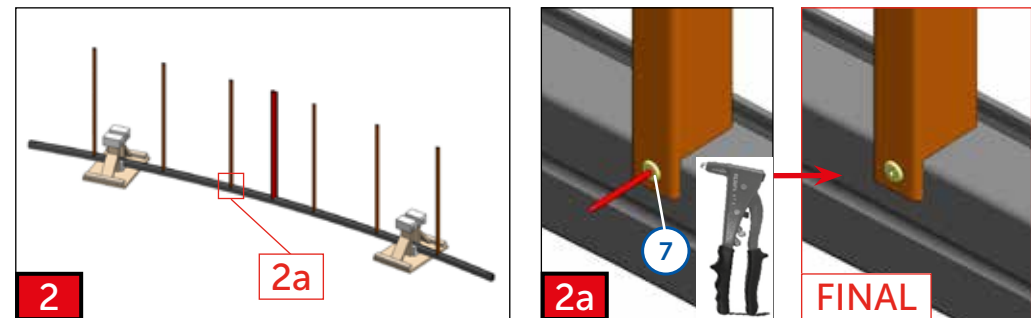
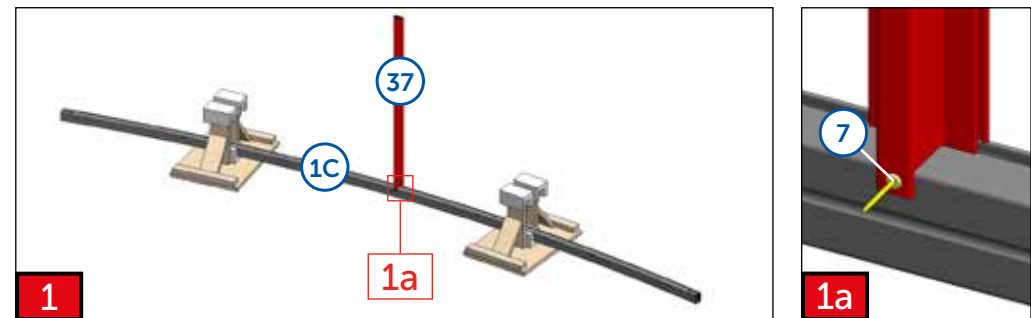
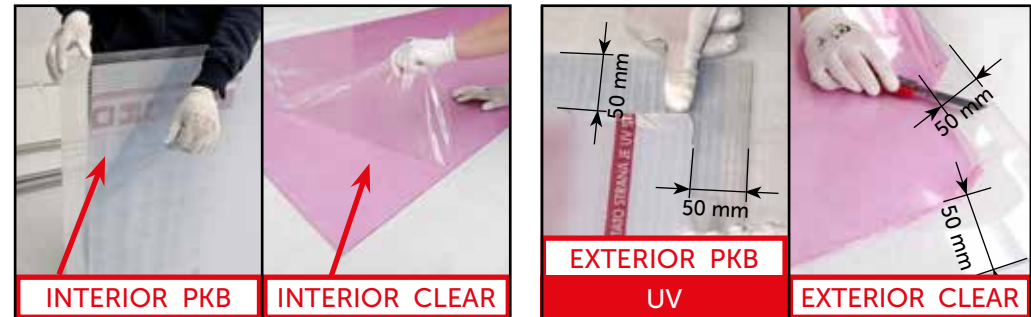
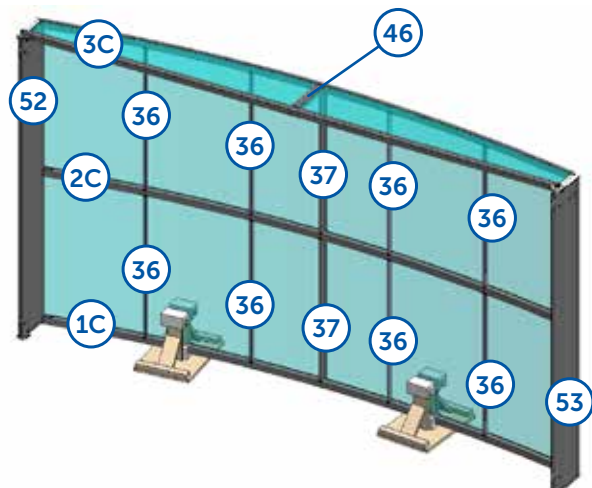
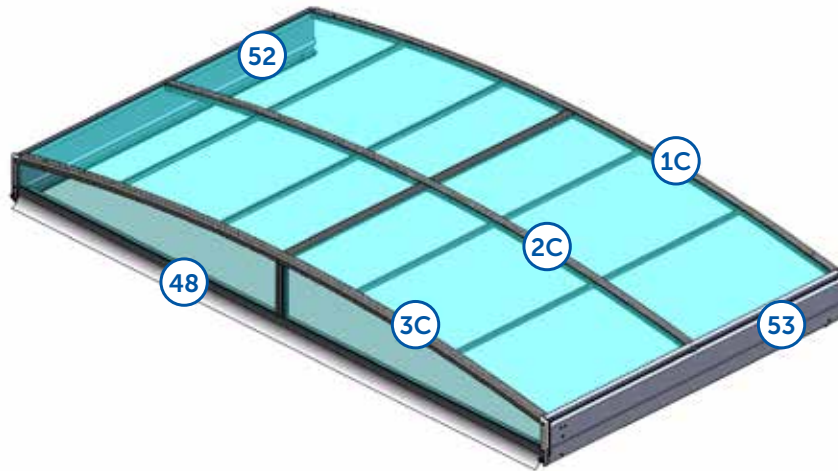
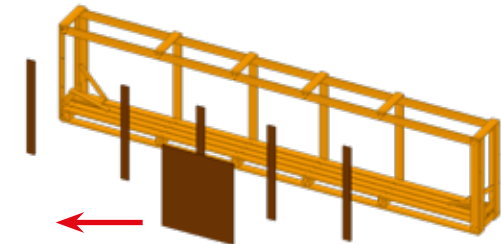
53

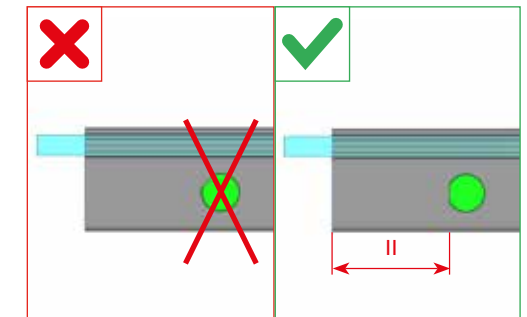
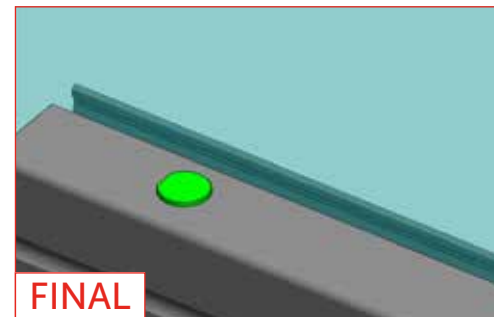
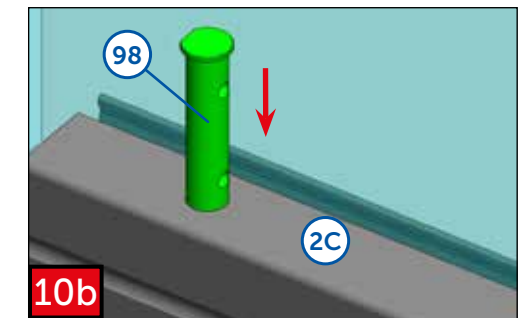
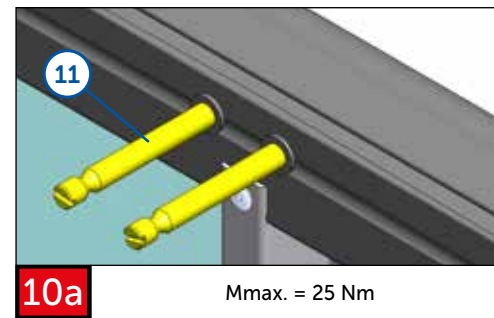
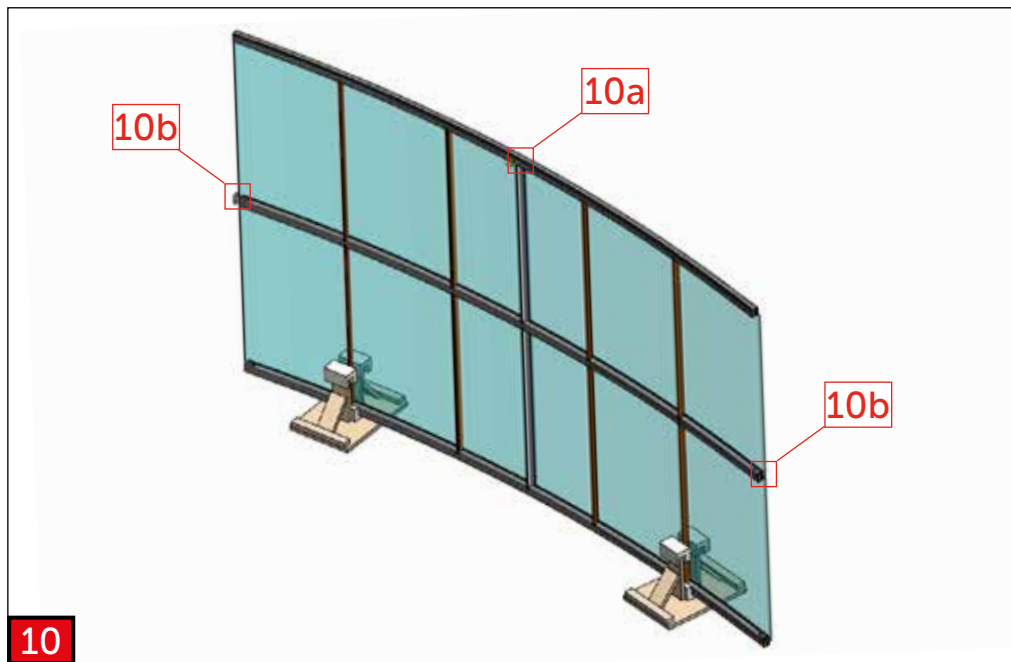
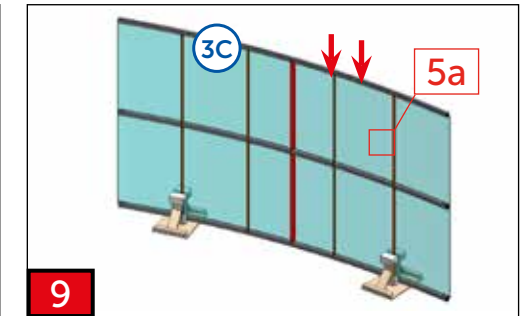
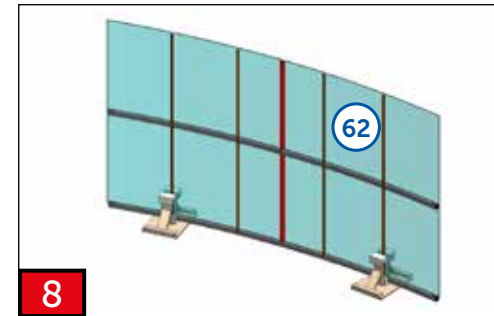
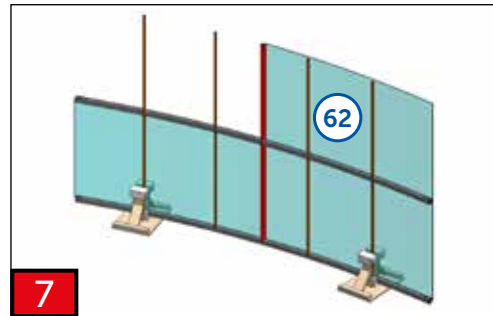
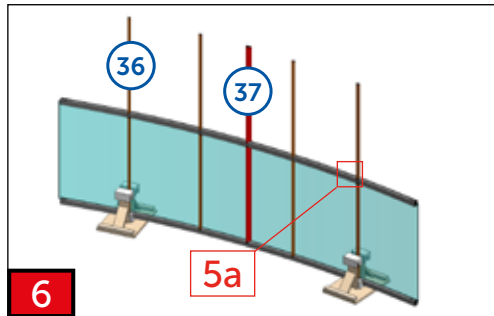
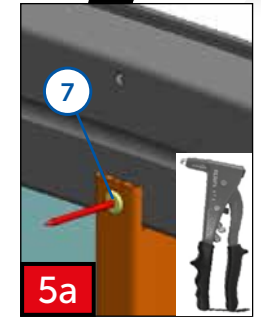
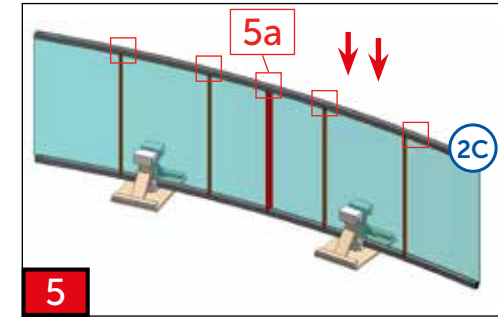
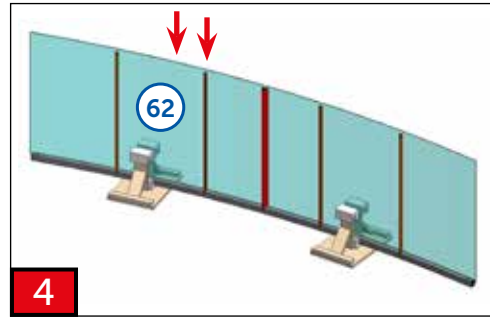
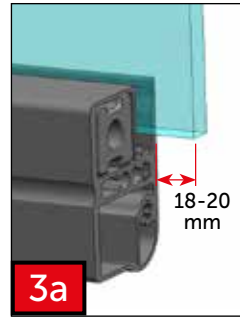
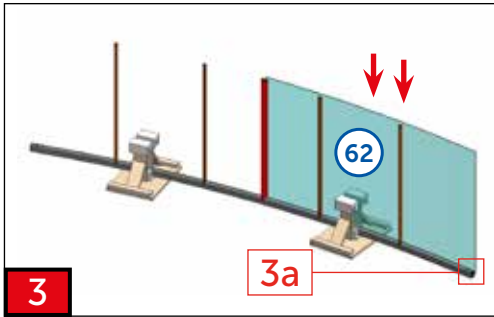


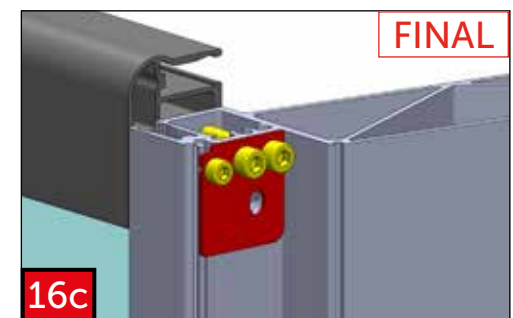
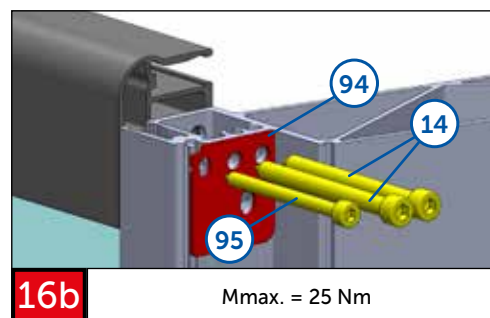
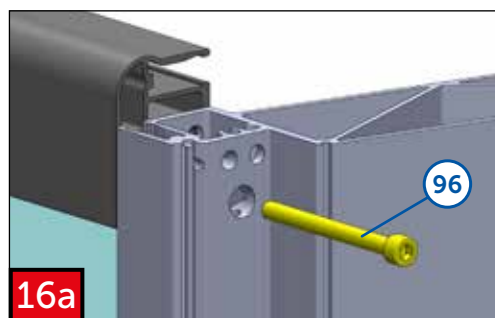
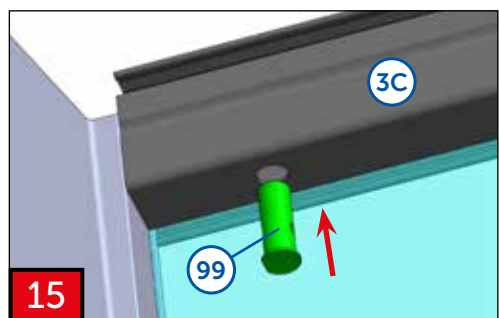
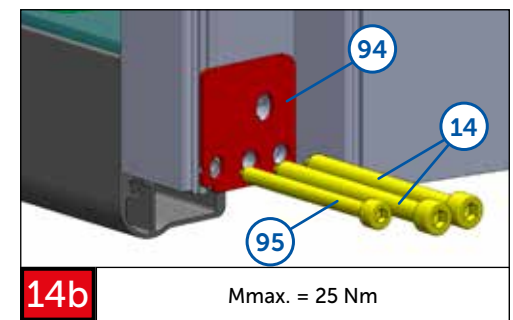
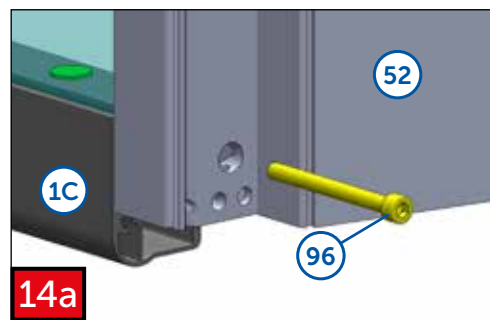
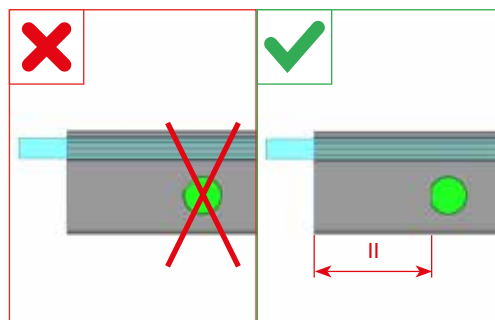
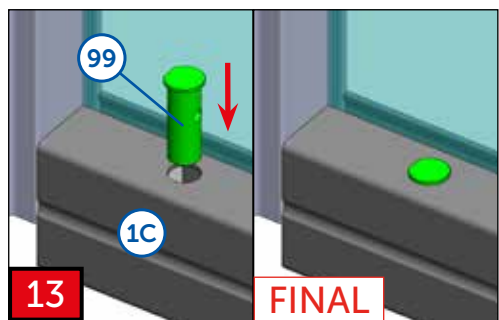
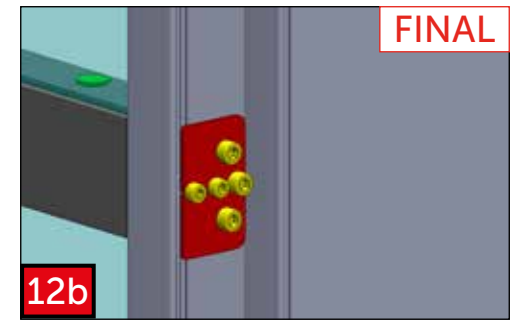
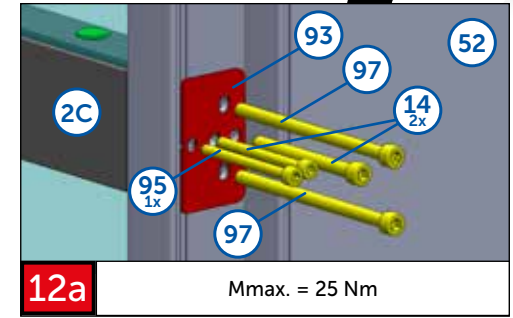
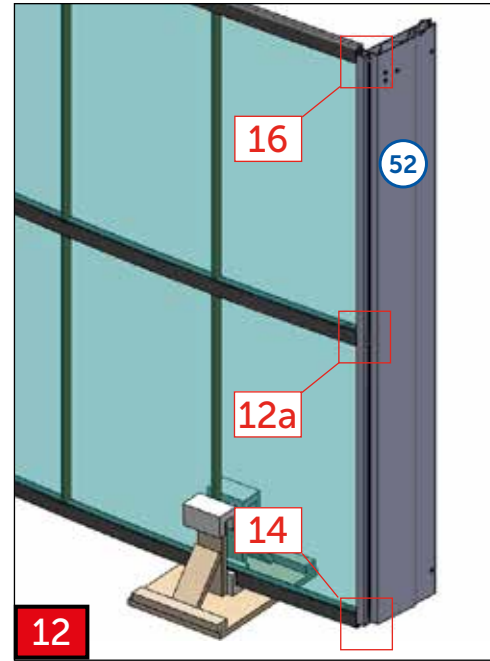
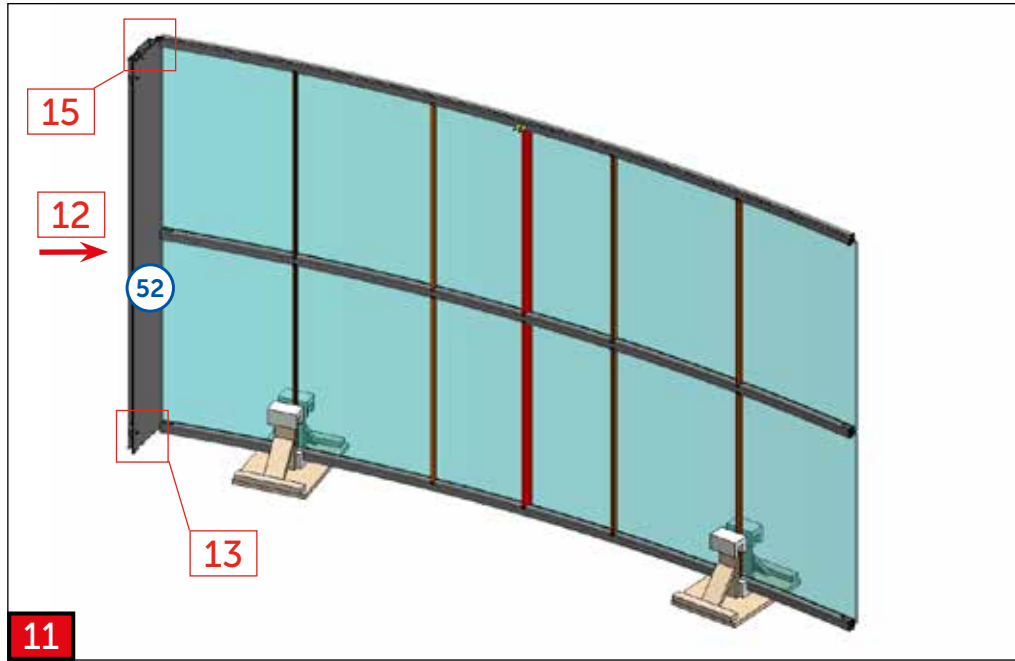
Pomocný držák pro montáž modulu
Auxiliary holder for the assembly of module
Zusätzliche Halterung für die Modulmontage
Support auxiliaire pour l'assemblage du module
Вспомогательный держатель для сборки модуля

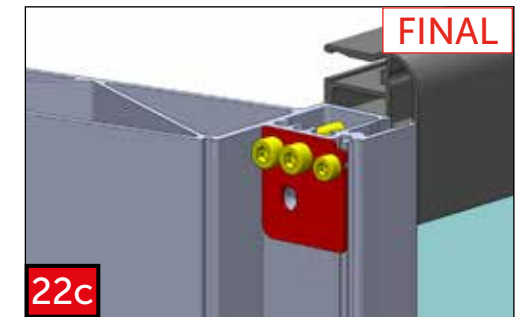
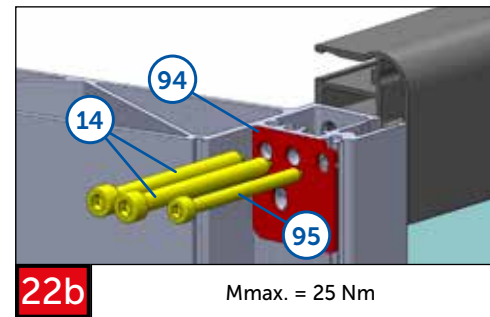
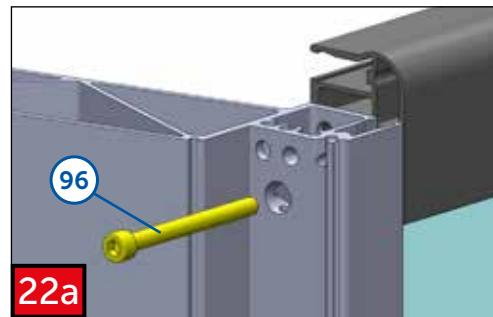
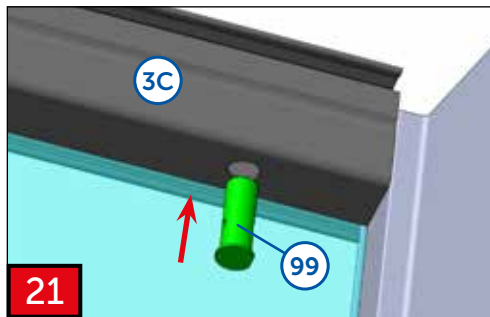
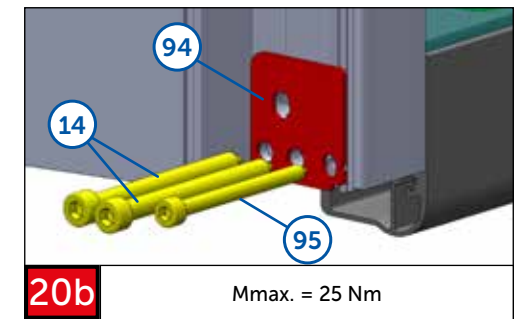
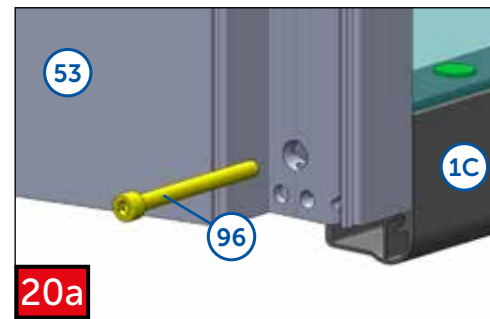
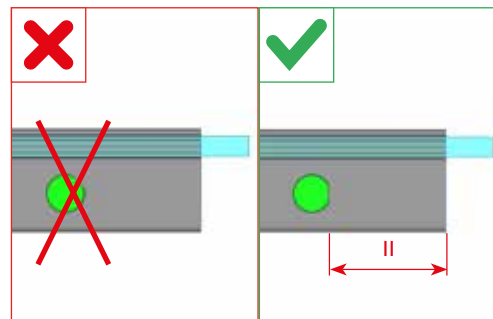
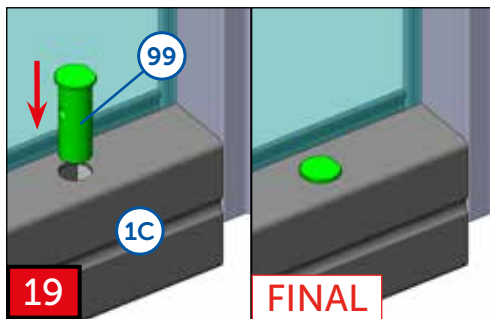
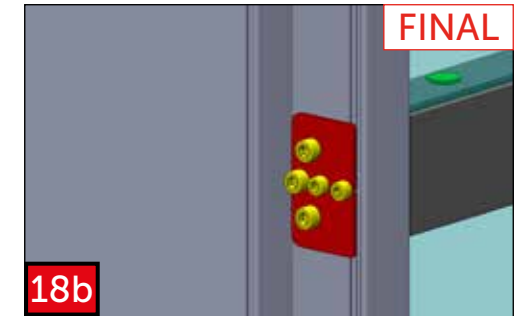
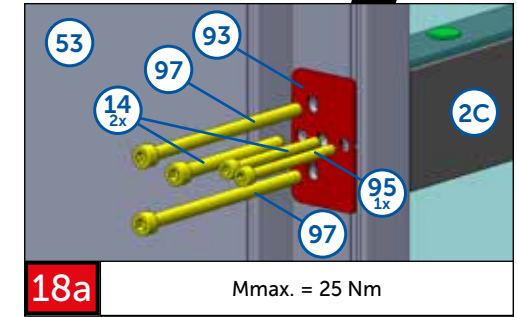
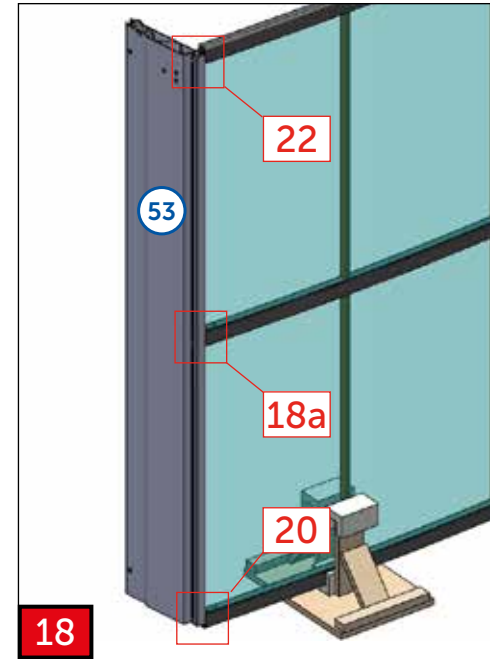
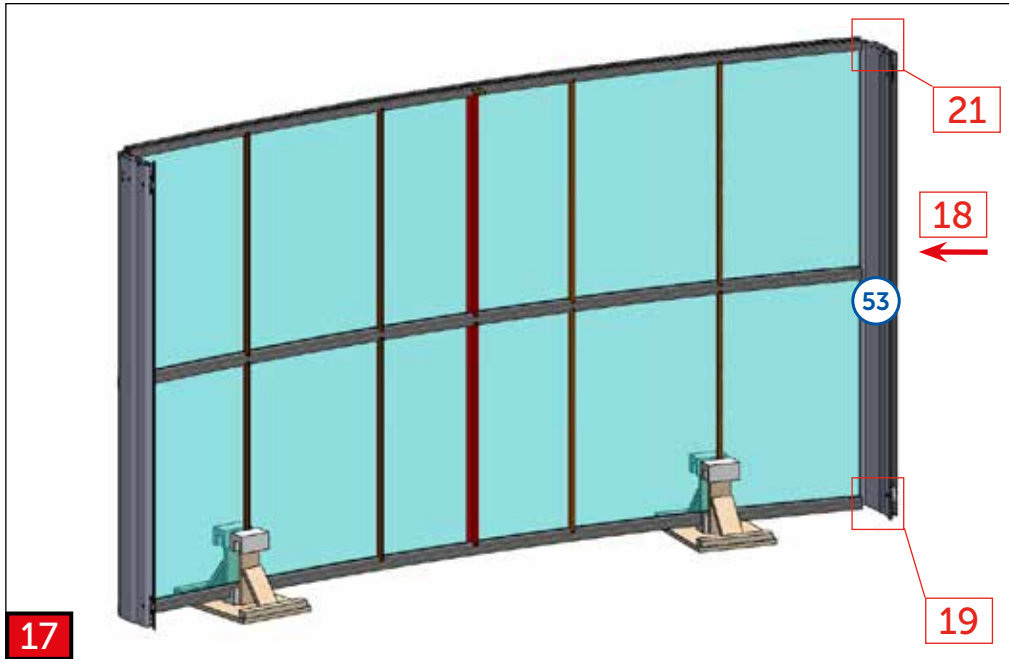


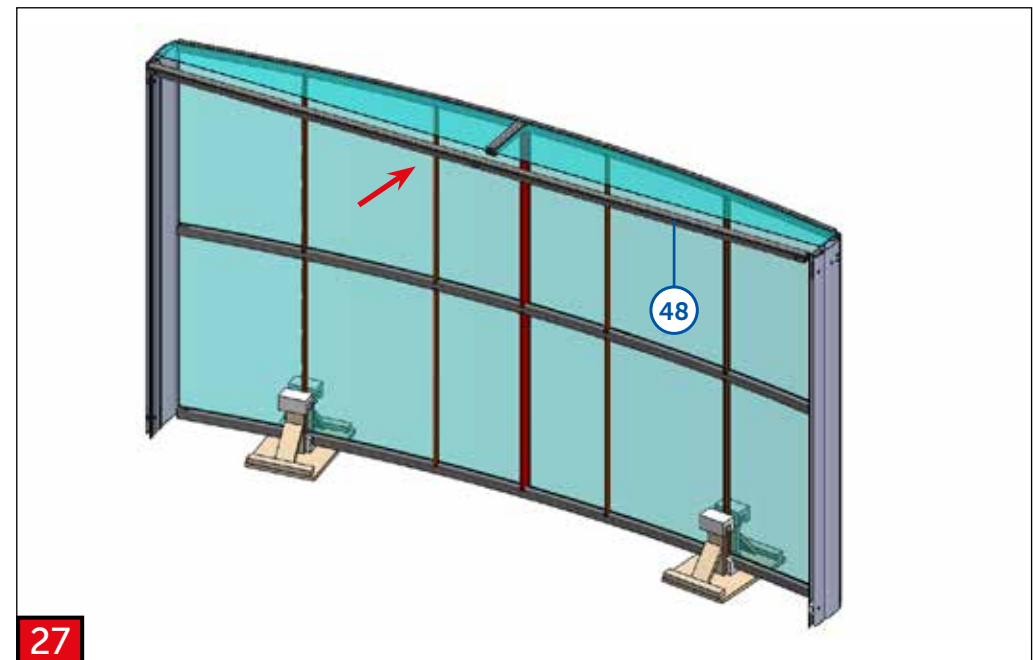
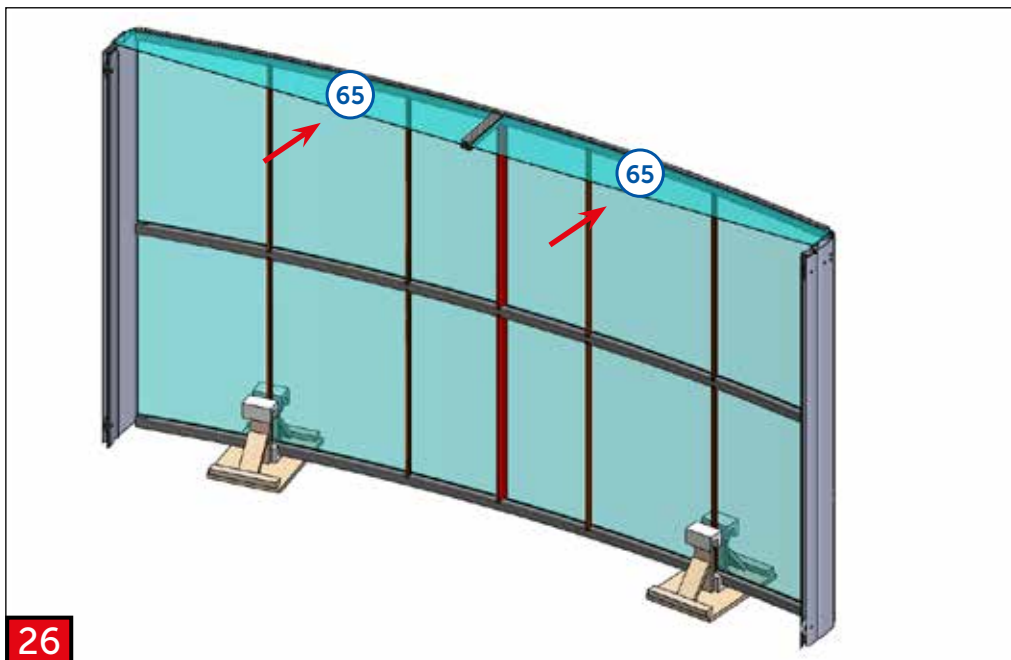
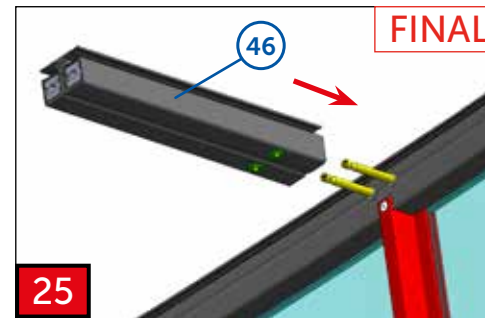
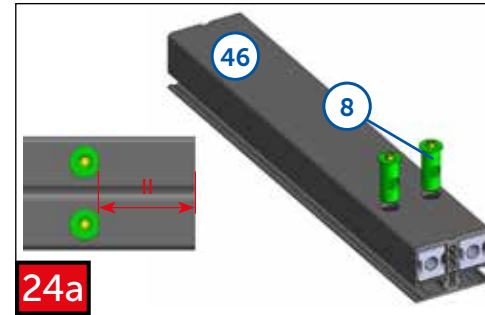
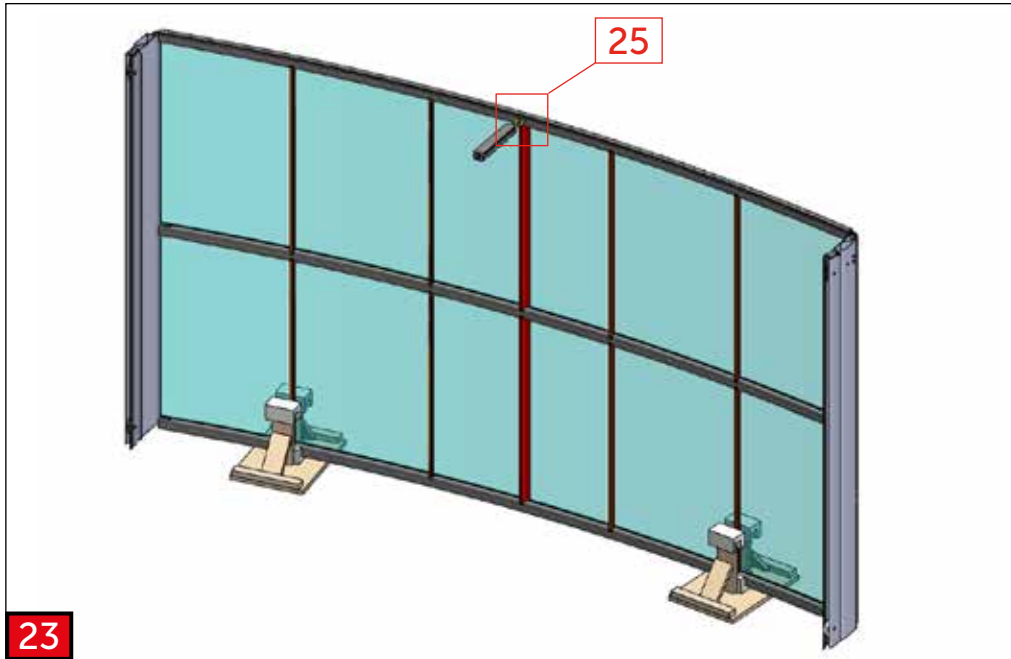
Nutné zajistit modul proti překlopení. Doporučujeme vyrobit držák z balení (prkna + výložky) nebo zajistit jiným způsobem.
 The module must be secured against falling. We recommend that you make a holder from the transport box (boards + foam liner) or that you secure the module in other safe way.
 Das Modul muss gegen Umkippen gesichert werden. Wir empfehlen, einen Halter aus der Verpackung (Bretter + Liner) zu machen oder das Modul auf andere Weise zu sichern.
 Il est nécessaire d'assurer le module contre son renversement. Nous recommandons de fabriquer le support de l'emballage (les planches + les parements) ou de l'assurer autrement.
 Необходимо обезопасить модуль от опрокидывания. Мы рекомендуем сделать держатель из упаковки (доски + вкладыши) или закрепить его другим способом.

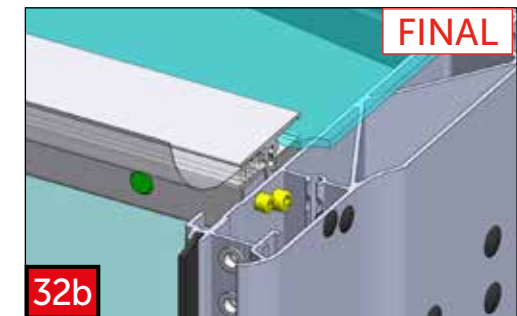
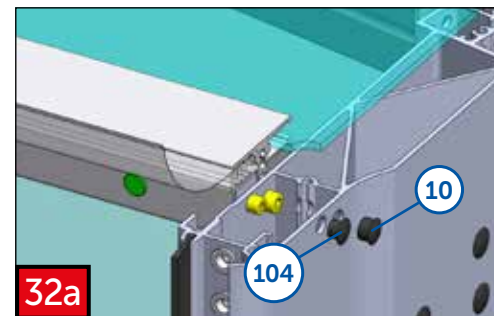
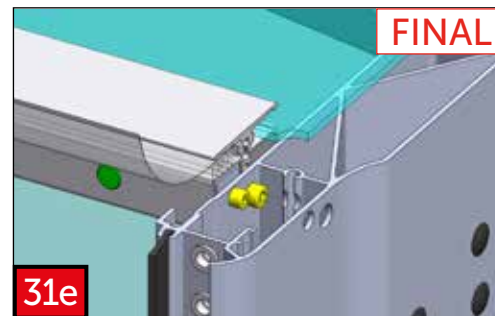
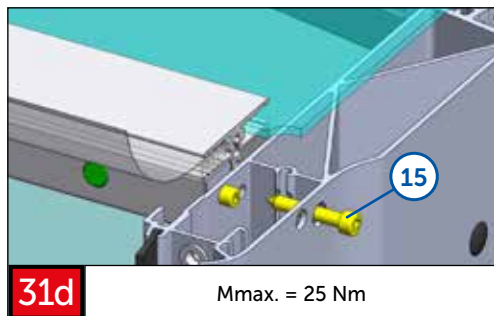
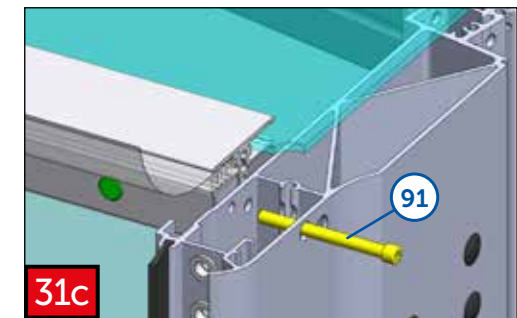
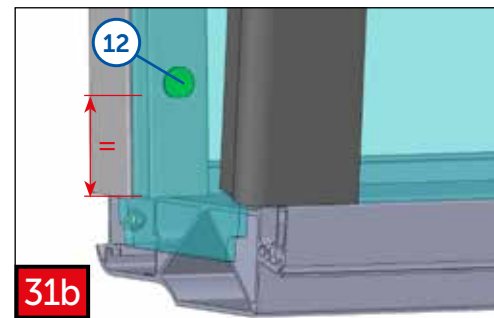
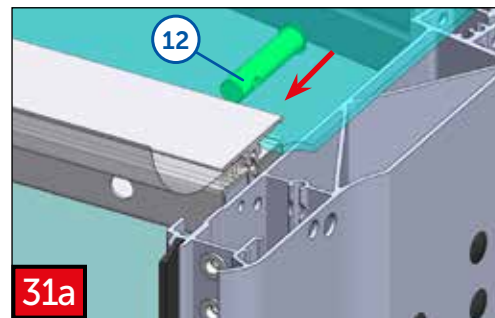
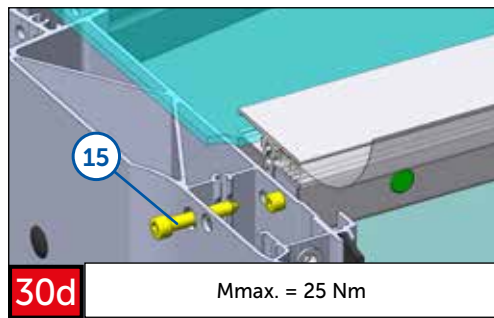
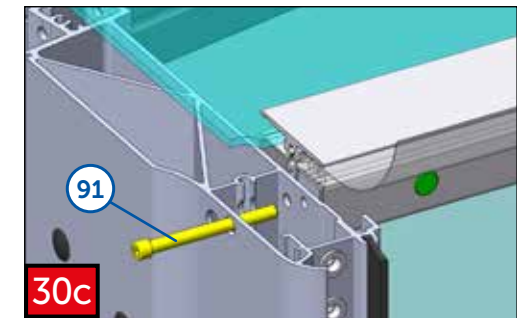
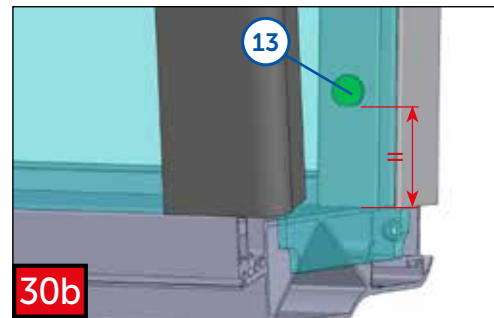
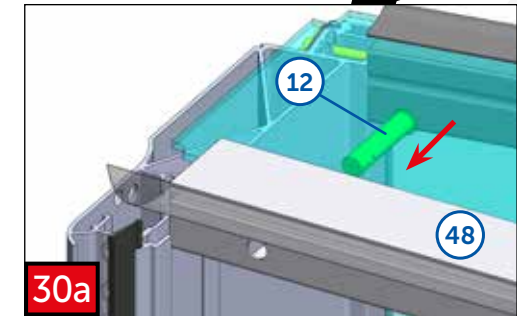
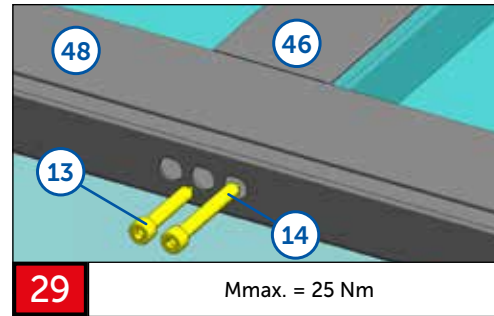
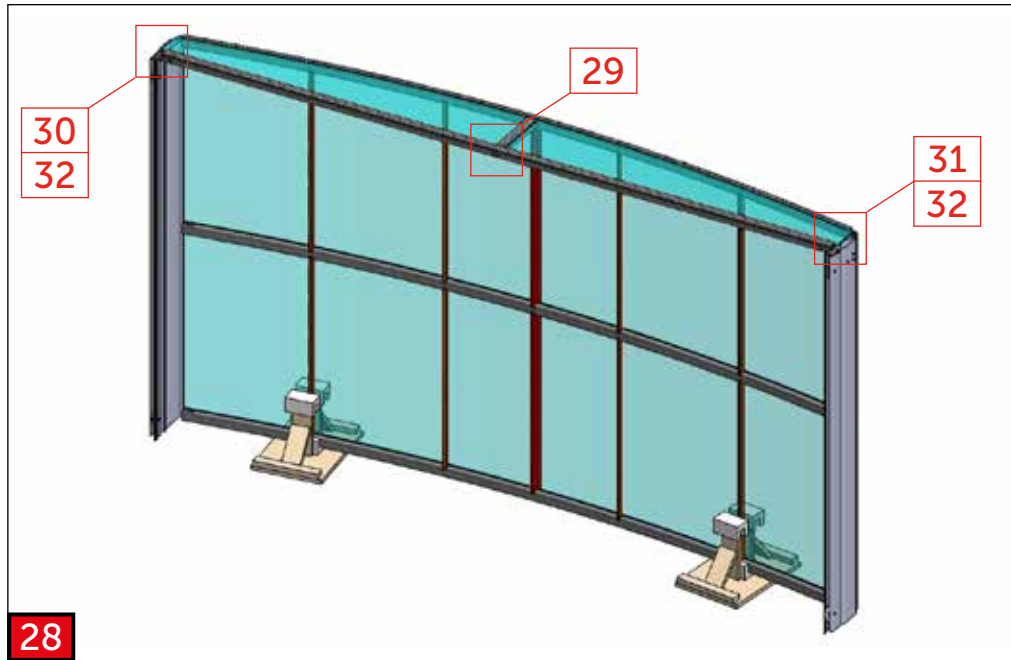




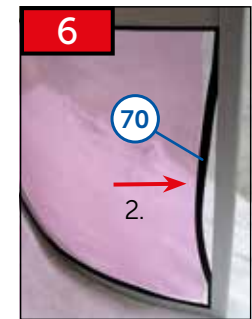
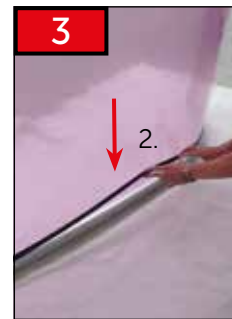
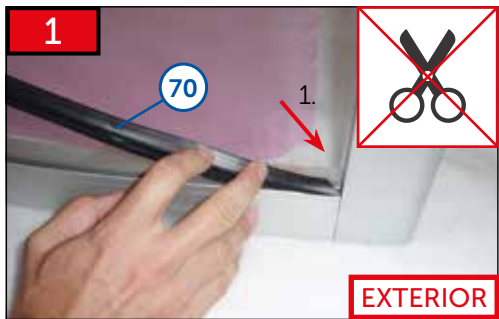
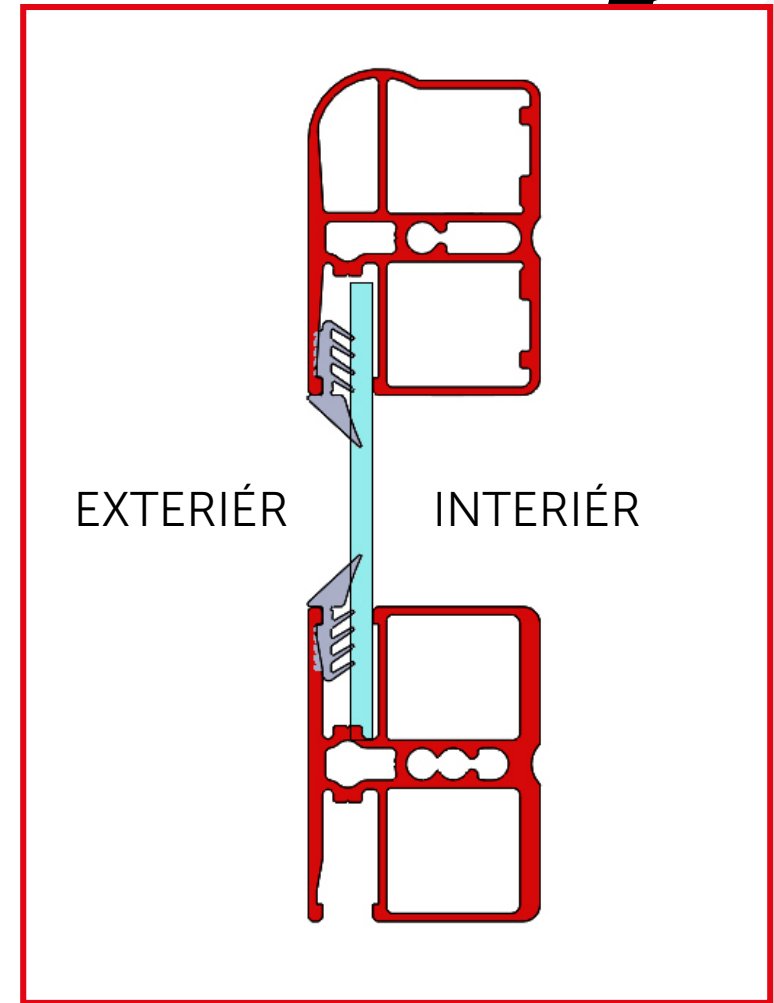
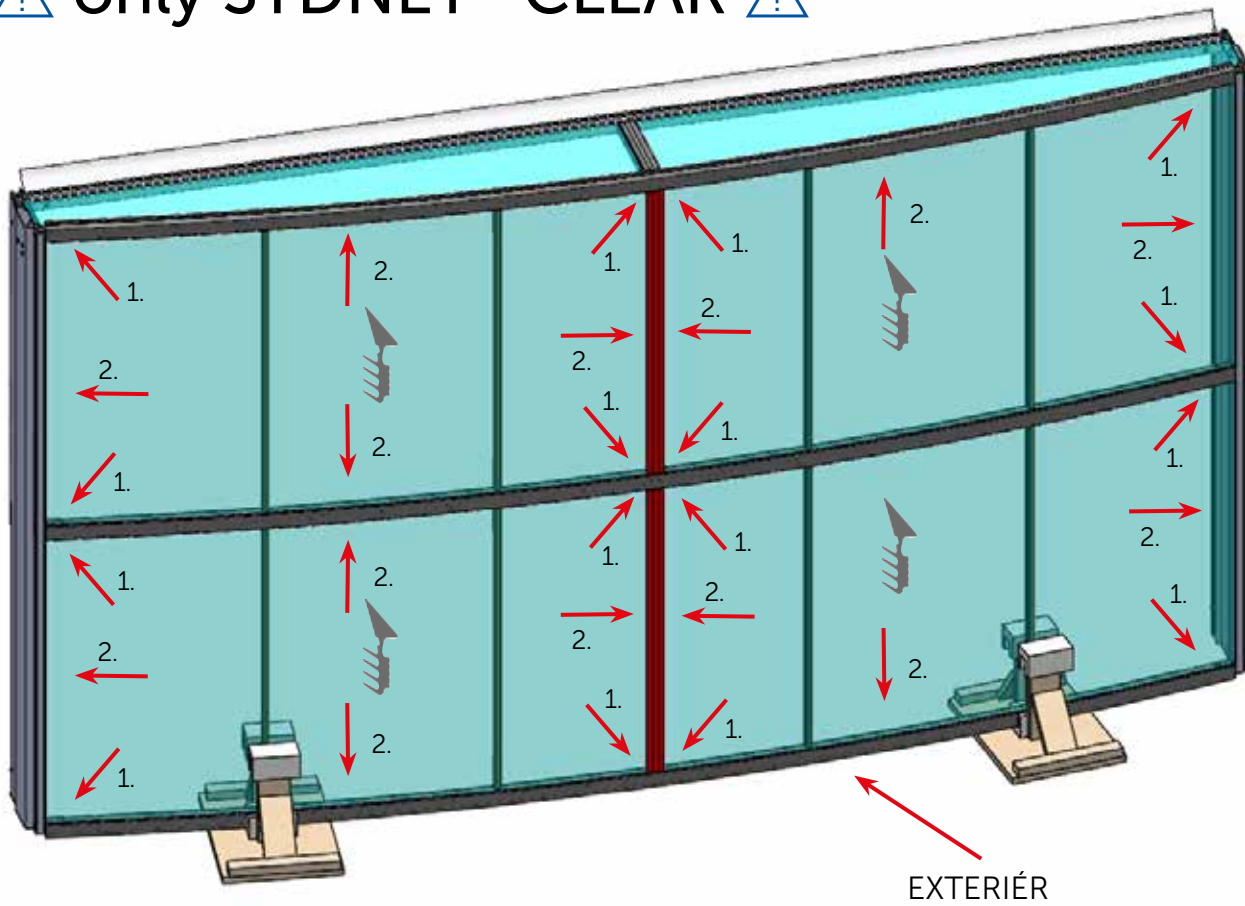


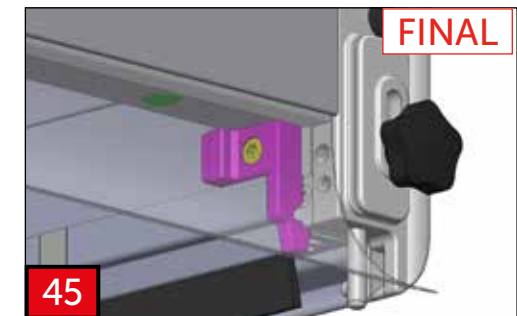
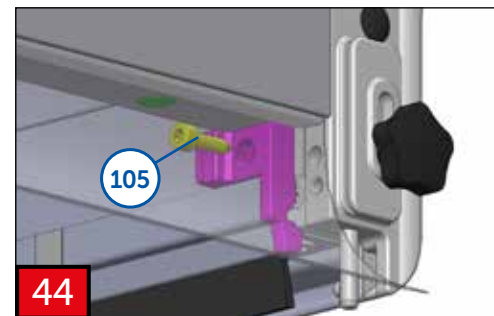
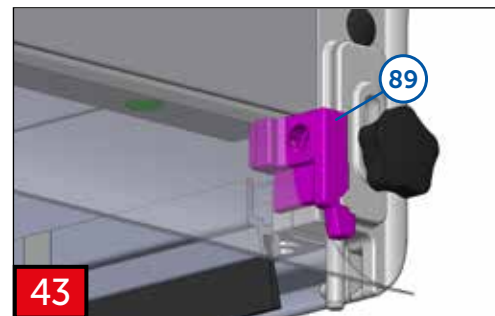
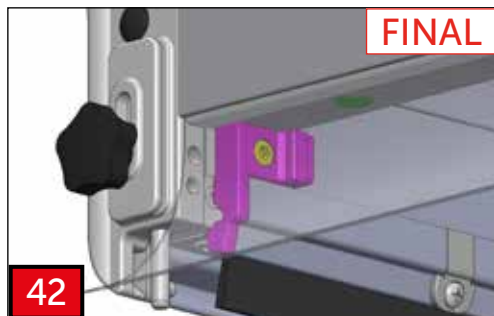
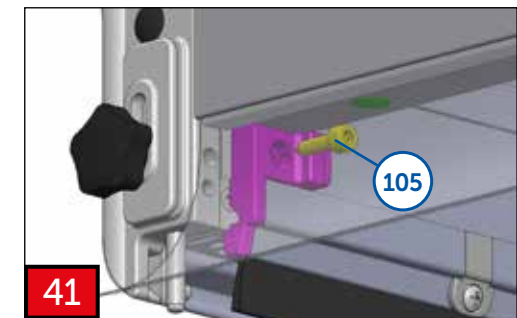
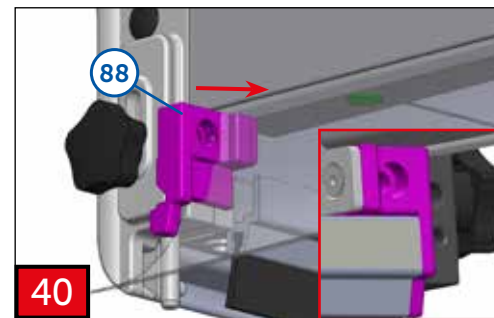
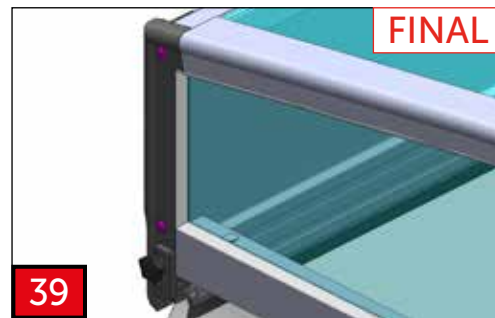
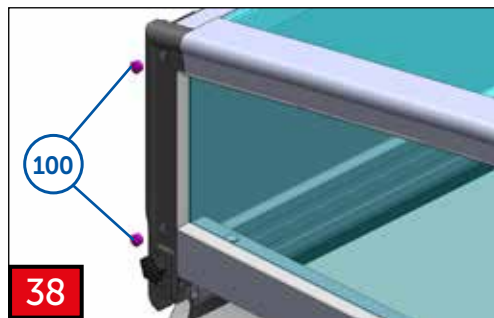
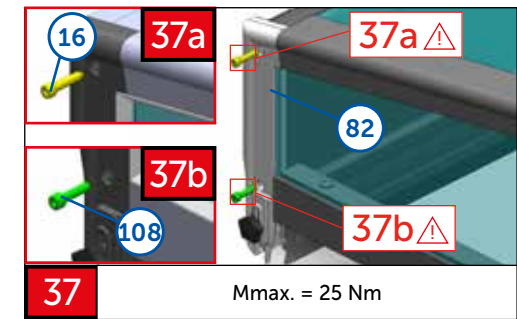
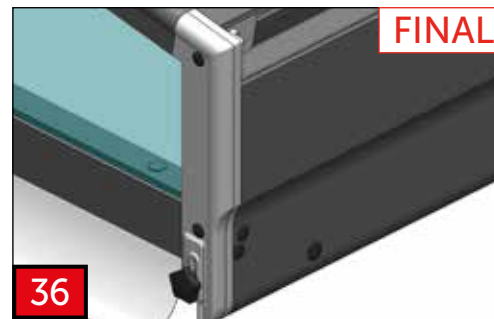
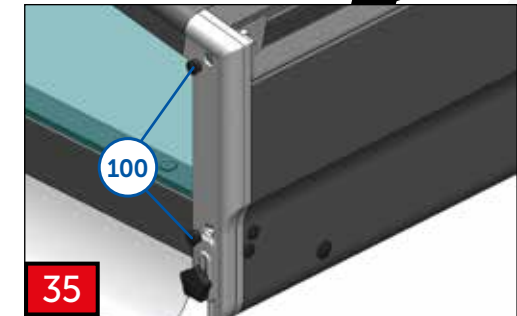
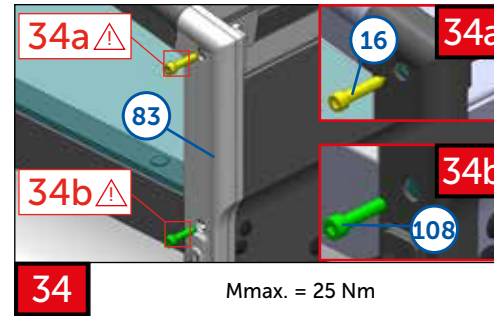
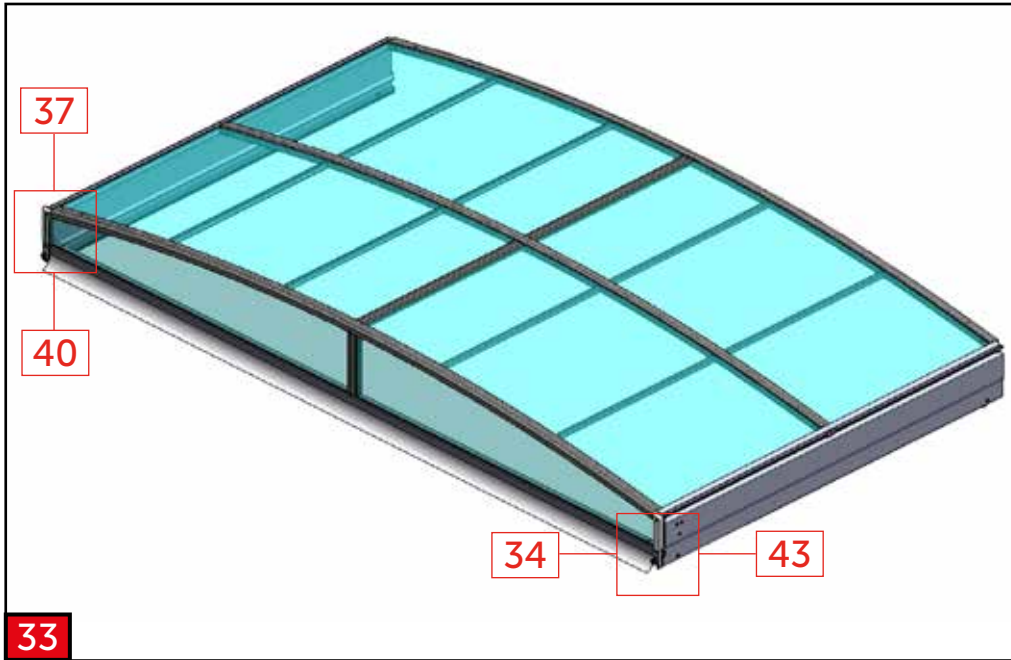


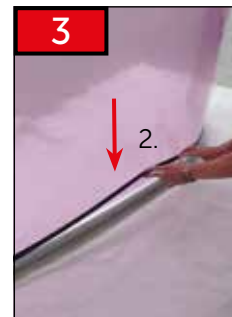
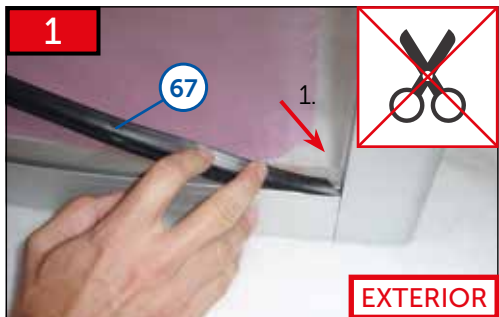
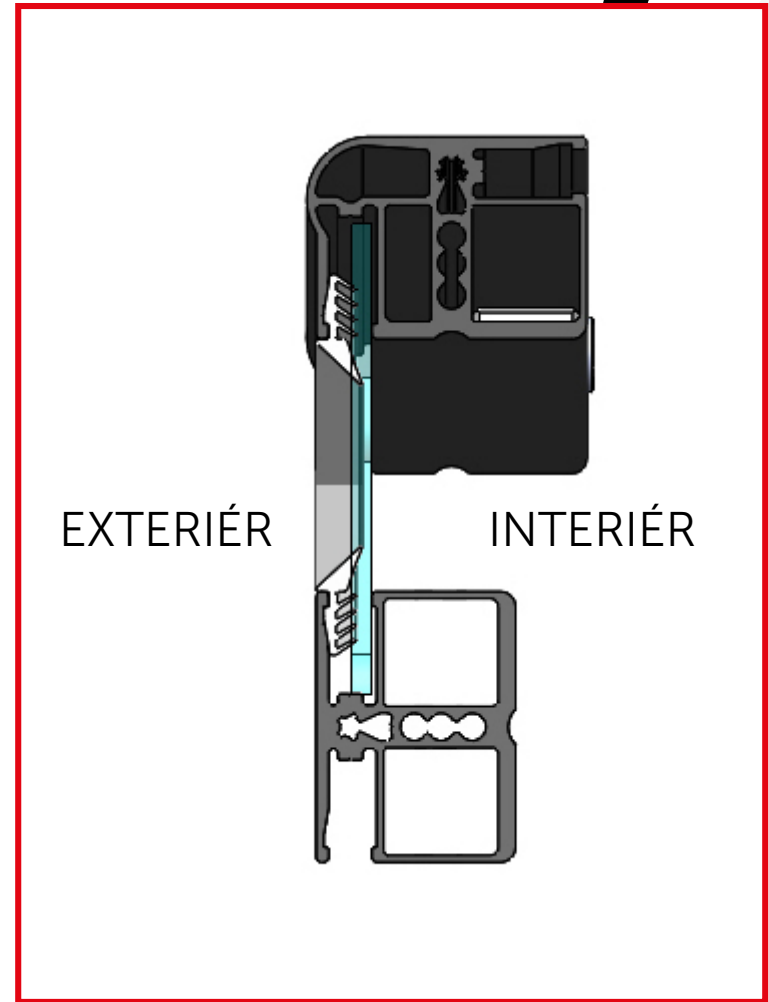
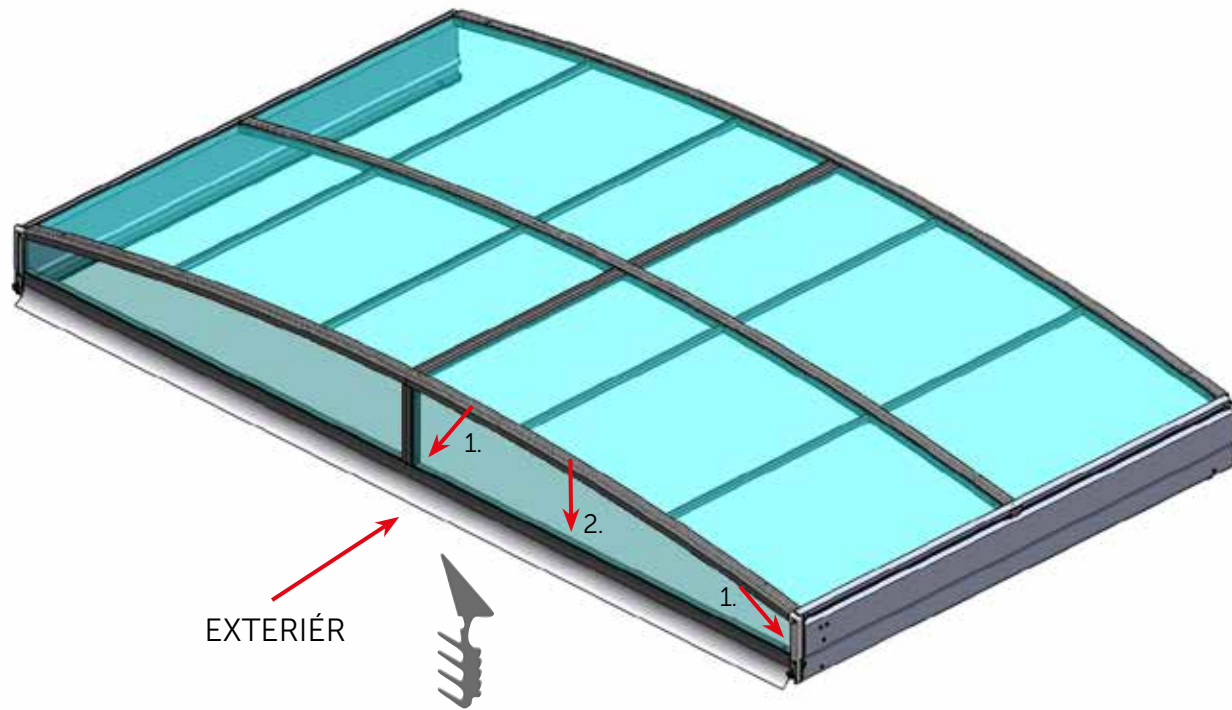


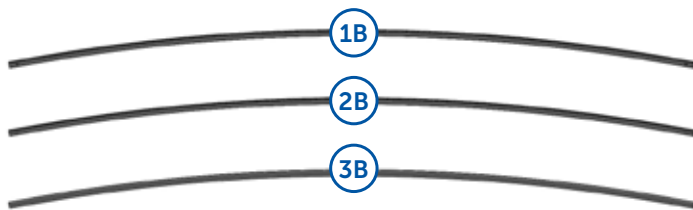


⚠ only SYDNEY CLEAR ⚠









1SP07-01-001

ø4 x 10
20x

7

1SP11-01-031

AN 9051
6,3 x 70
12x

14

1SP11-01-053

AN 9051
6,3 x 32
6x

16

1NA03-01-050

1x

17

Sydney A/ Clear A 2Z04-01-SD001	1041 mm
Sydney AS/ Clear AS 2Z04-01-SD004	906 mm

8x

36

Sydney A/ Clear A 2Z05-01-SD001	1041 mm
Sydney AS/ Clear AS 2Z05-01-SD005	906 mm

2x

37

Sydney A/ Clear A 2Z02-09-SD027	2150 mm
Sydney AS/ Clear AS 2Z02-09-SR028	1880 mm

2x

58

1SP10-01-084

ISO 7380
M 6x20
2x

92

1SZ18-02-010

2x

93

1SZ18-02-012

4x

94

1SP11-01-049

AN 9051
4,8x60
6x

95

1SP10-01-078

DIN 912
M 6x65
4x

96

1SP10-01-082

DIN 912
M 6x100
4x

97

1SZ03-01-038

2x

98

1SZ03-01-030

4x

99

1SZ12-01-010

8x

100

1SP10-01-025

DIN912
M6x25
2x

108

MODUL B

"KL" = "KP"

Sydney A/ Clear A 2Z02-09-SR003	2150 mm
Sydney AS/ Clear AS 2Z02-09-SR013	1880 mm

1x

54

MODUL B

"KL" = "KP"

Sydney A/ Clear A 2Z02-09-SR004	2150 mm
Sydney AS/ Clear AS 2Z02-09-SR014	1880 mm

1x

55



Sydney A/ Clear A	1859 x 1050 mm
Sydney AS/ Clear AS	1859 x 915 mm

MODUL B

4x

61

MODUL B

2Z09-01-SD072

1x

76

MODUL B

2Z09-01-SD073

1x

77

MODUL B

2Z09-01-SD074

1x

78

MODUL B

2Z09-01-SD075

1x

79

MODUL B

1x

1SZ18-02-001D

OPTIONAL "KL"

3

MODUL B

1x

1SZ18-02-002D

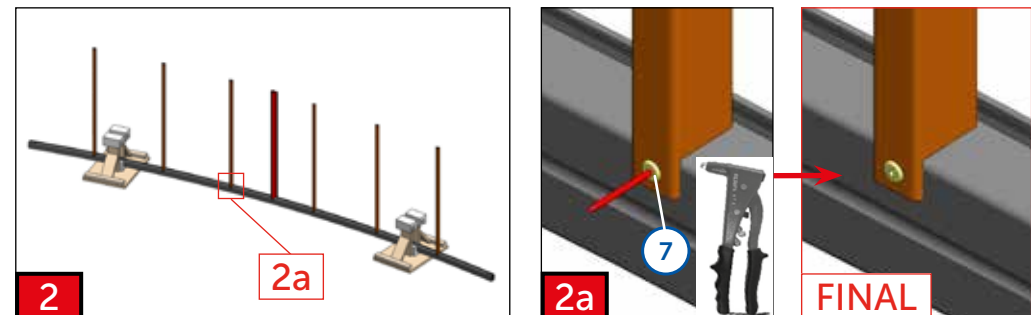
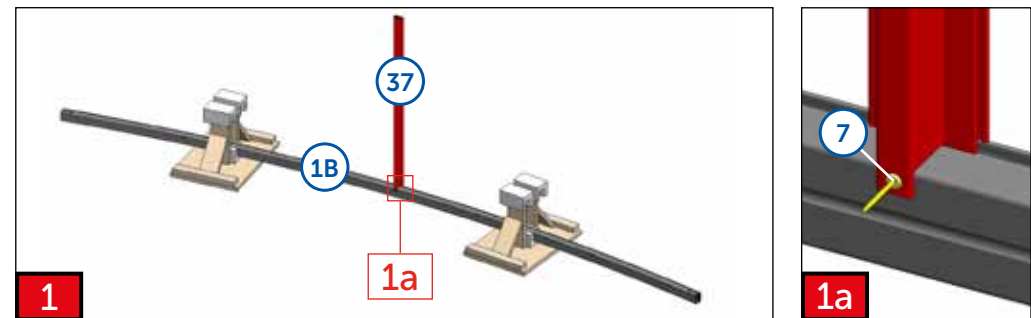
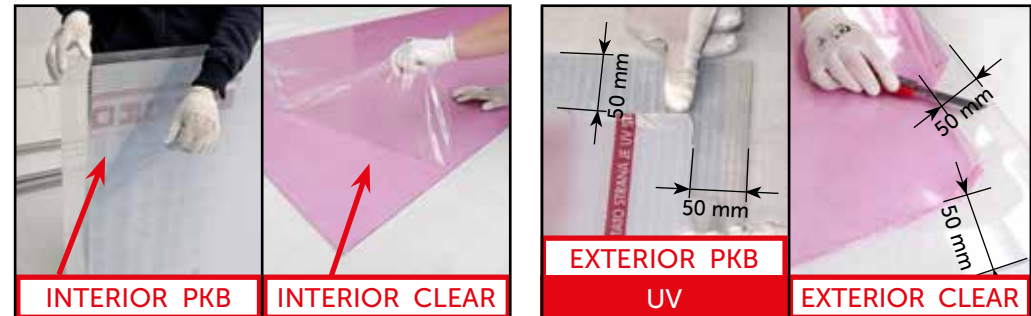
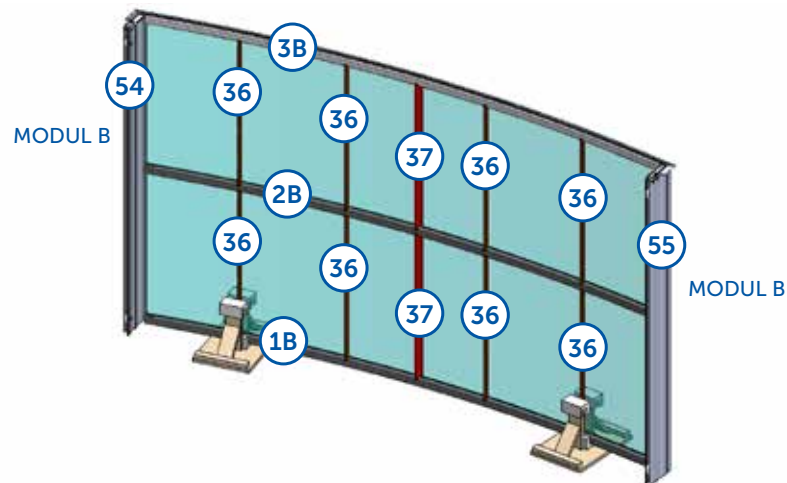
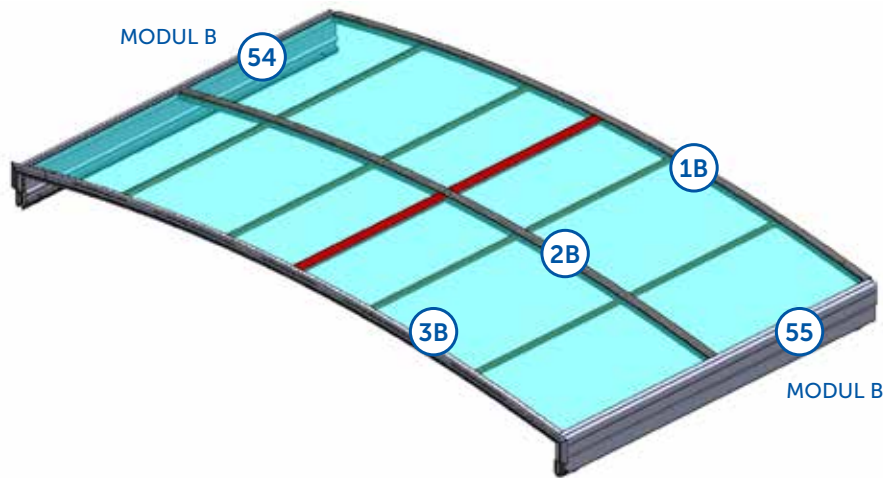
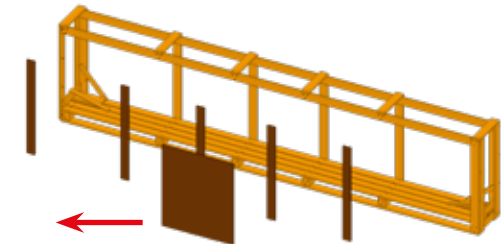
OPTIONAL "KP"

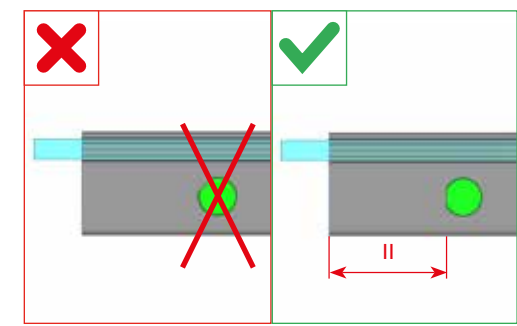
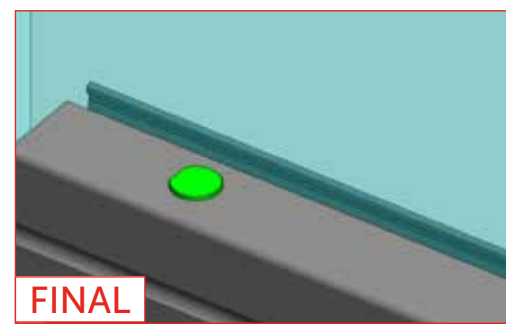
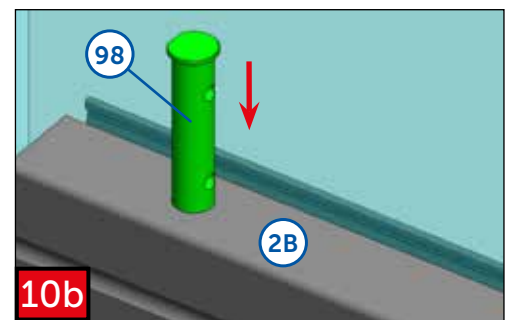
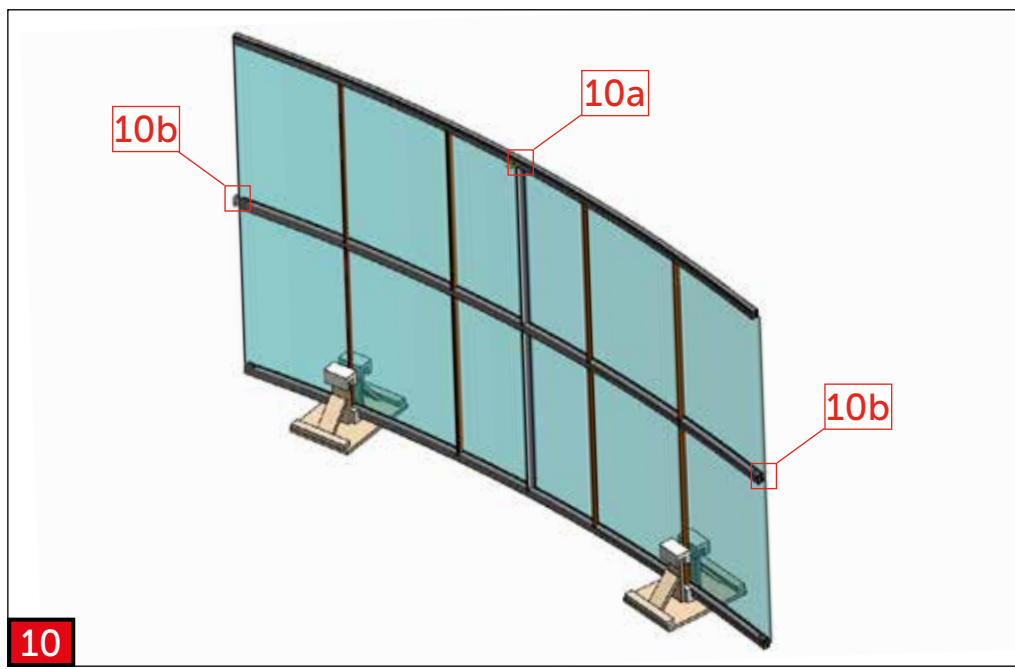
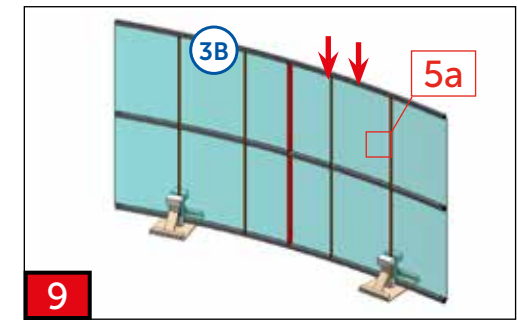
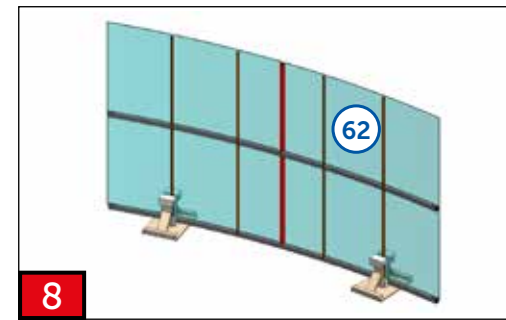
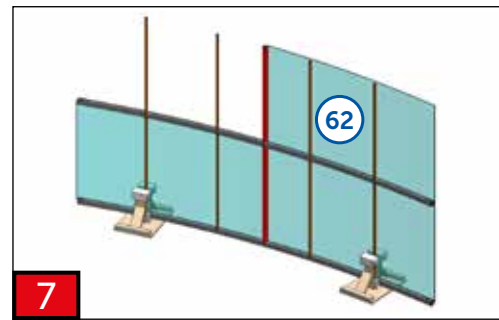
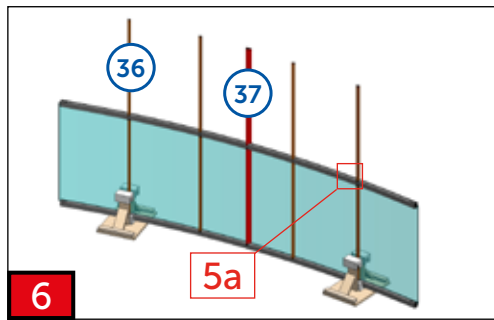
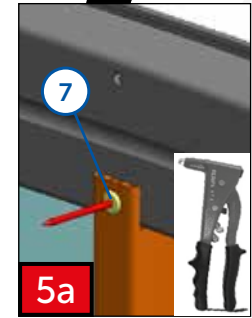
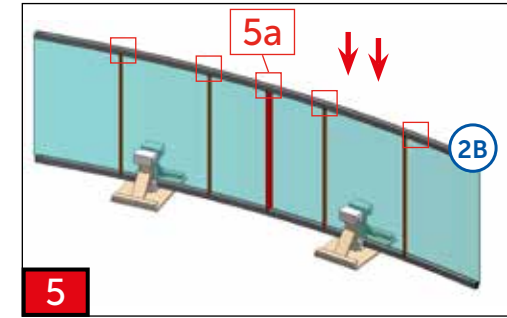
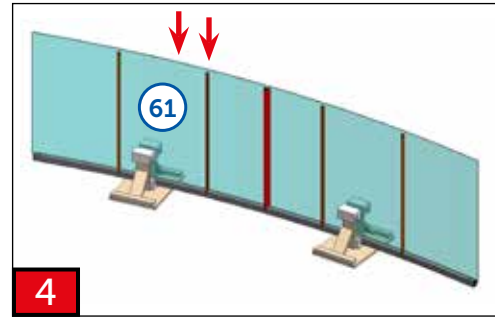
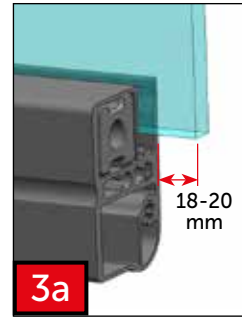
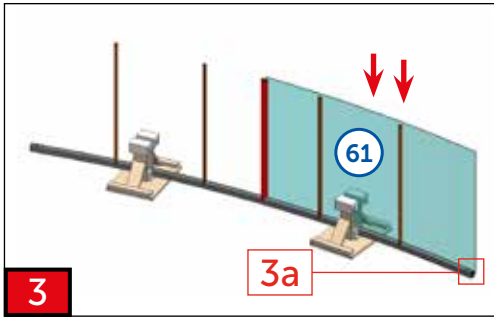
4

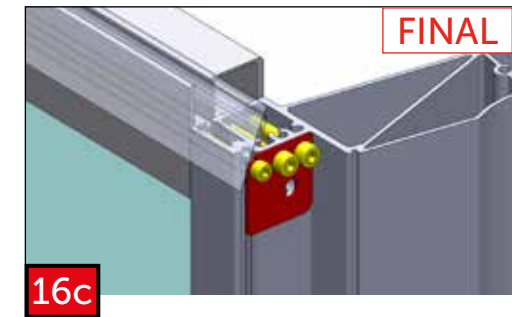
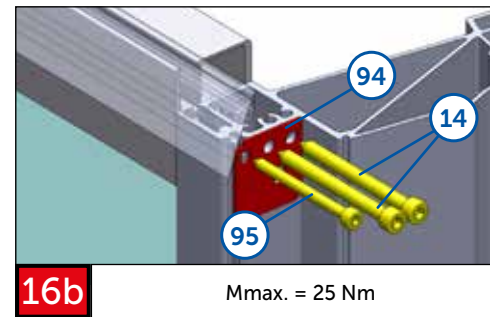
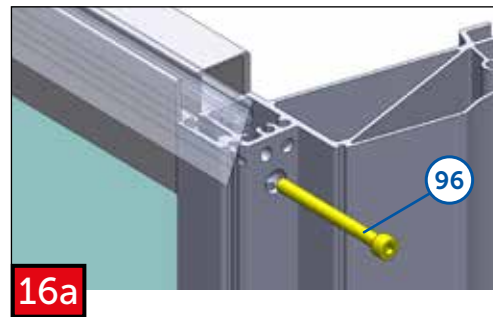
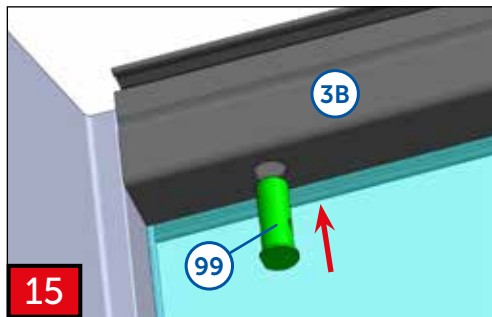
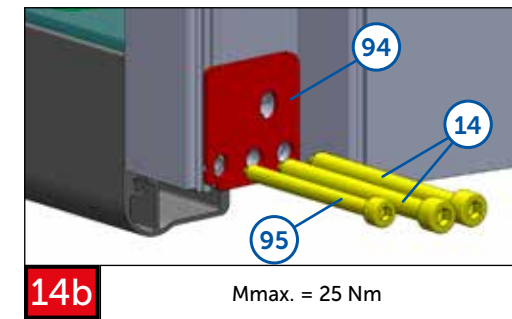
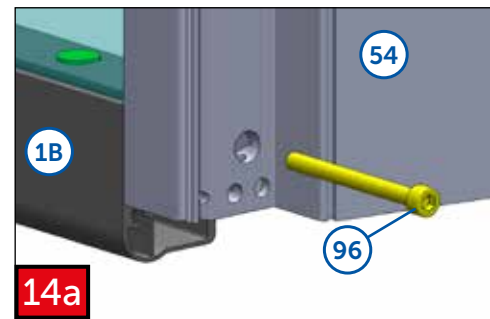
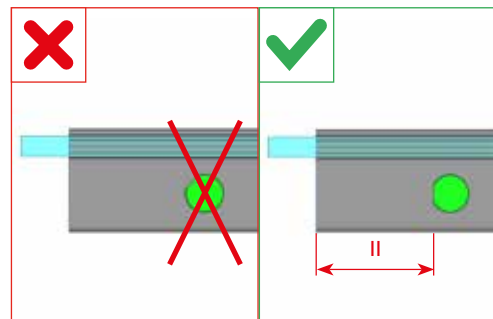
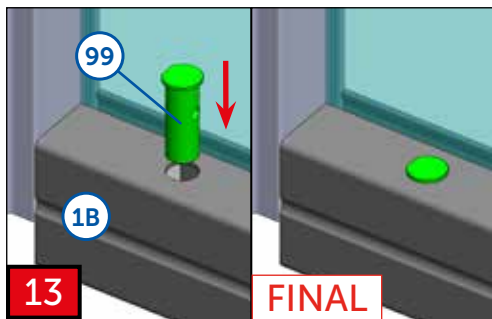
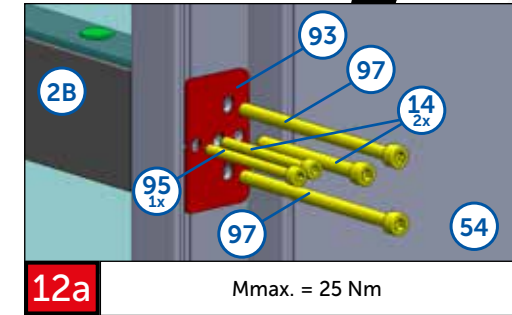
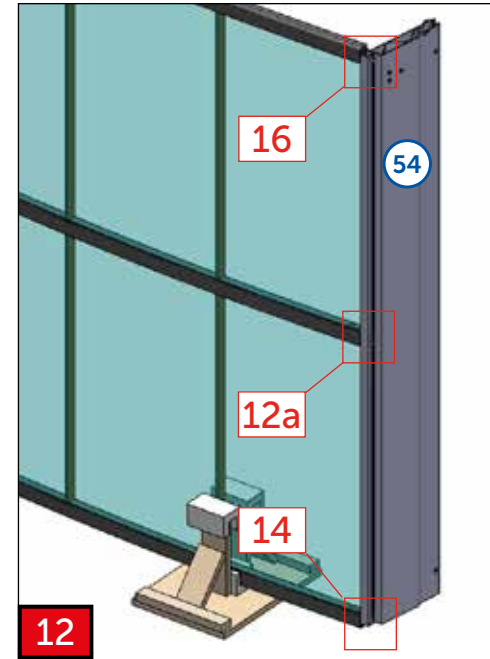
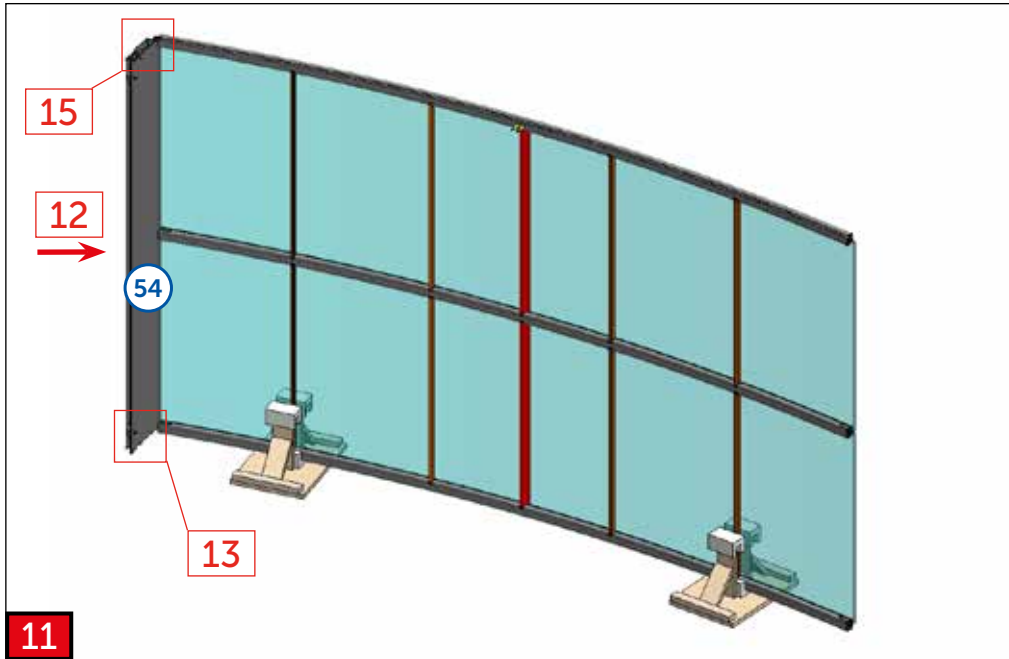
Pomocný držák pro montáž modulu
Auxiliary holder for the assembly of module
Zusätzliche Halterung für die Modulmontage
Support auxiliaire pour l'assemblage du module
Вспомогательный держатель для сборки модуля

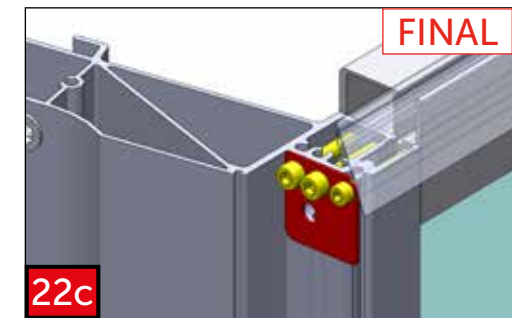
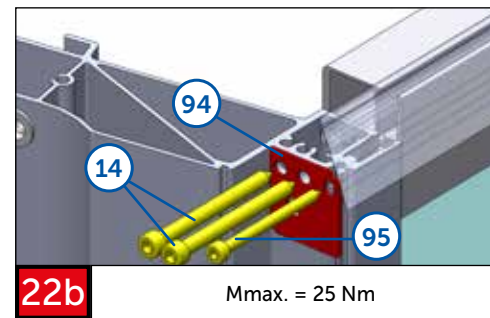
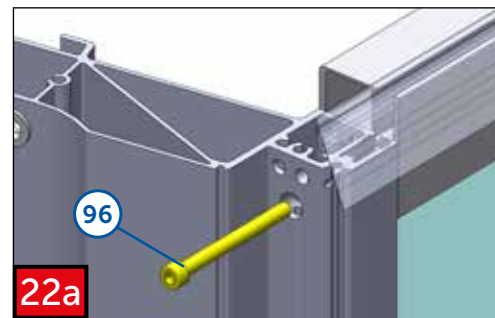
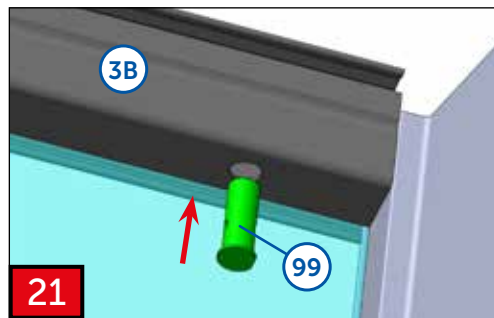
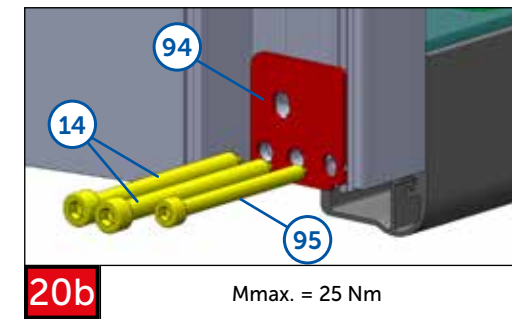
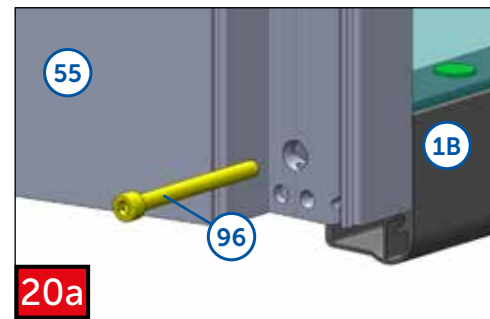
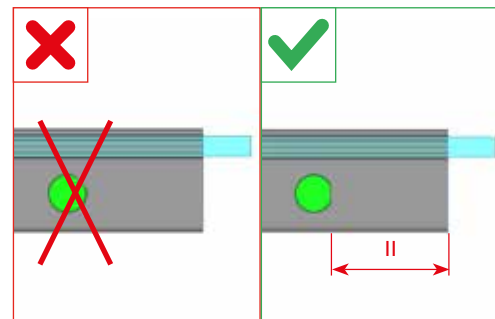
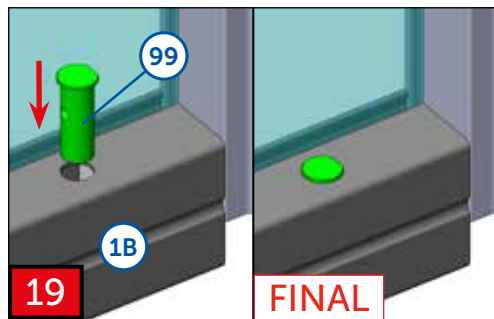
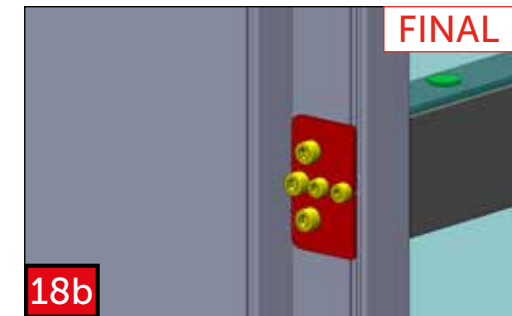
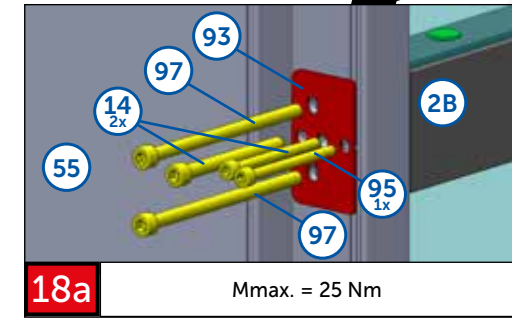
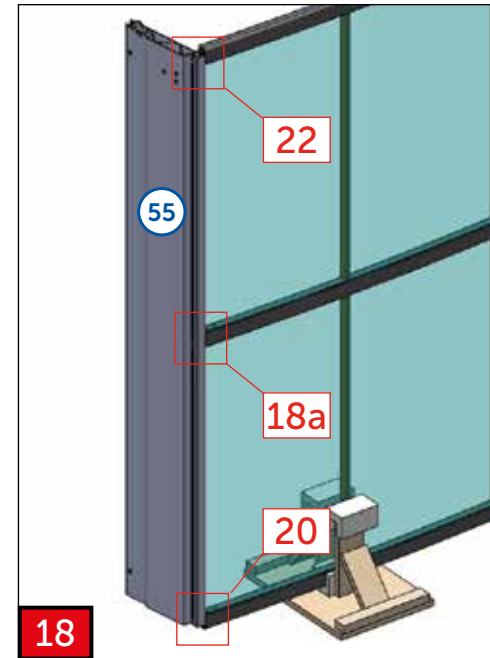
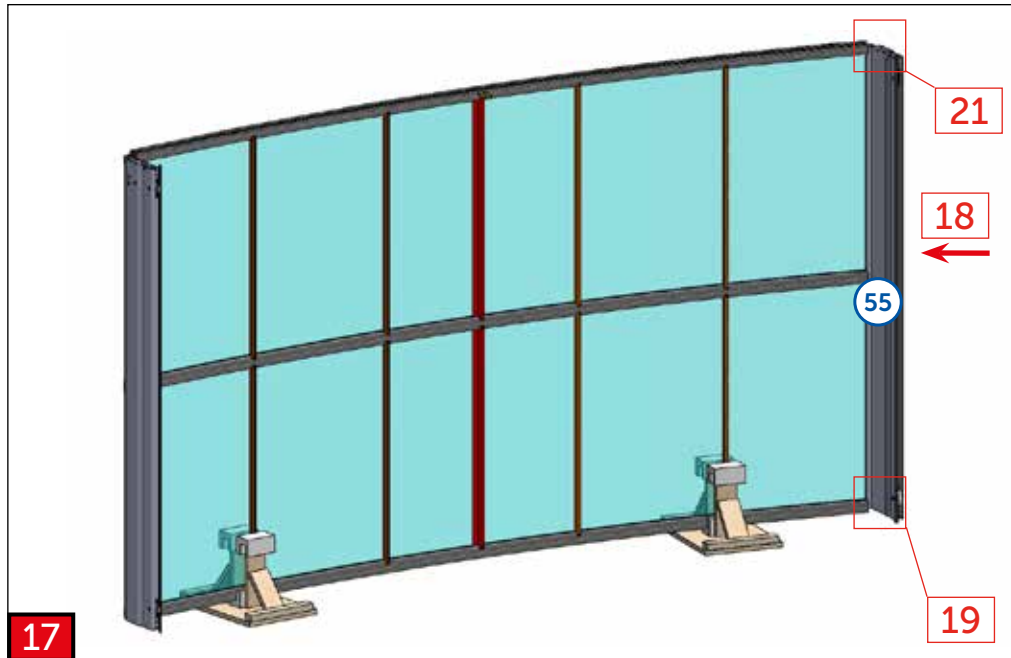


Nutné zajistit modul proti překlopení. Doporučujeme vyrobit držák z balení (prkna + výložky) nebo zajistit jiným způsobem.
 The module must be secured against falling. We recommend that you make a holder from the transport box (boards + foam liner) or that you secure the module in other safe way.
 Das Modul muss gegen Umkippen gesichert werden. Wir empfehlen, einen Halter aus der Verpackung (Bretter + Liner) zu machen oder das Modul auf andere Weise zu sichern.
 Il est nécessaire d'assurer le module contre son renversement. Nous recommandons de fabriquer le support de l'emballage (les planches + les parements) ou de l'assurer autrement.
 Необходимо обезопасить модуль от опрокидывания. Мы рекомендуем сделать держатель из упаковки (доски + вкладыши) или закрепить его другим способом.

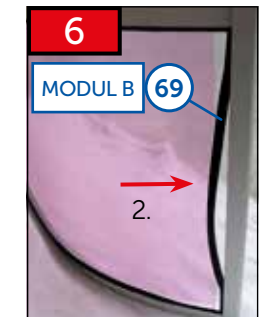
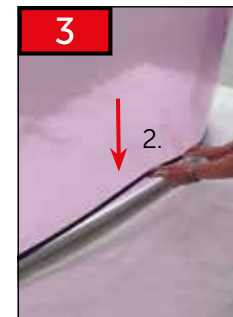
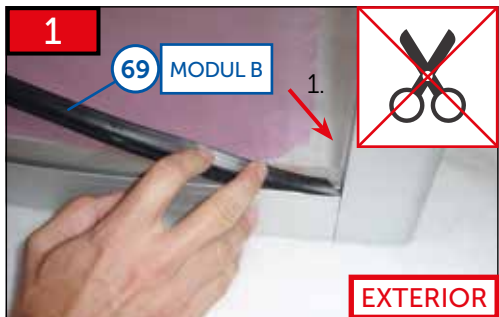
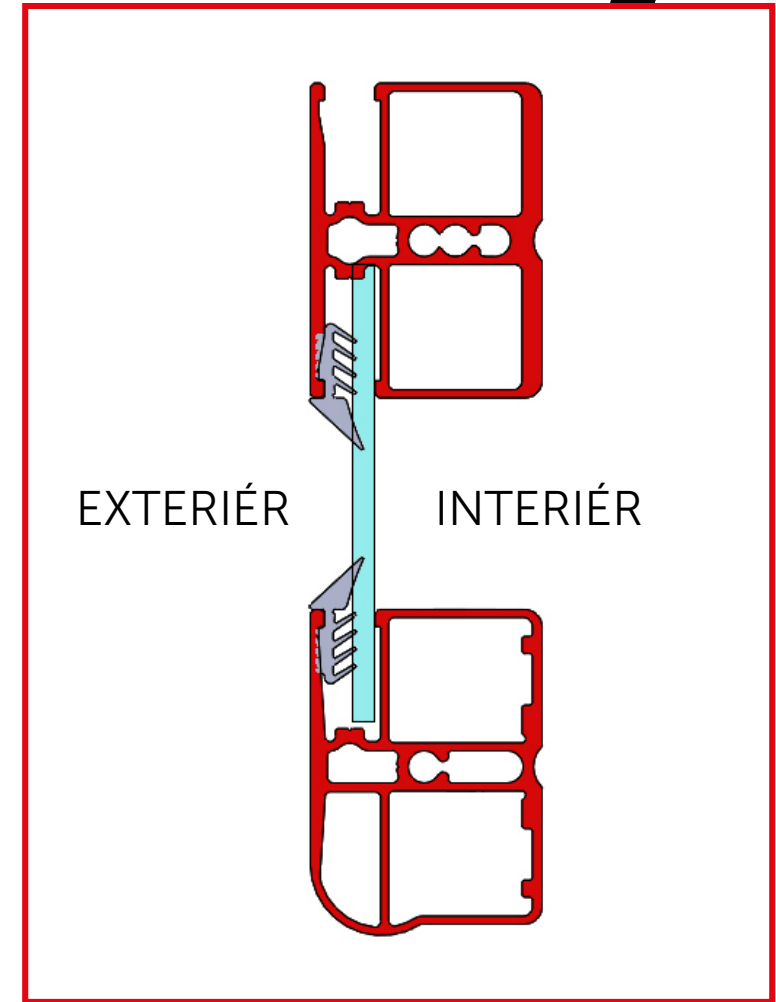
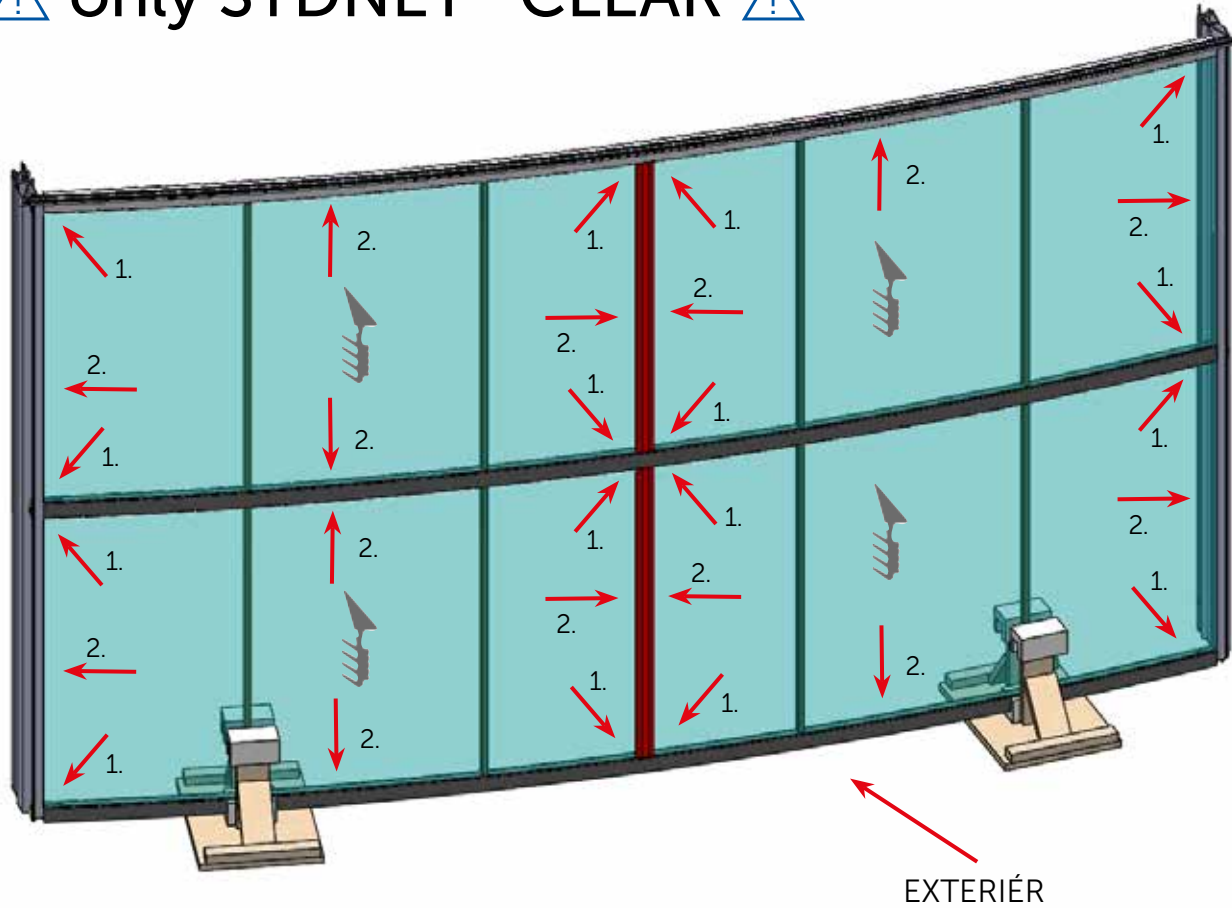


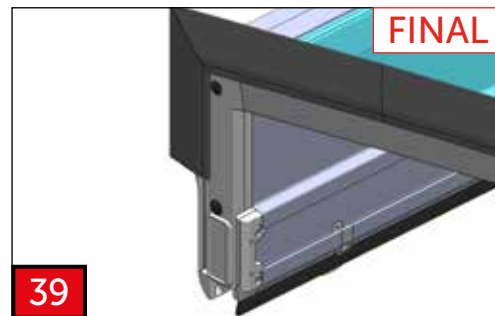
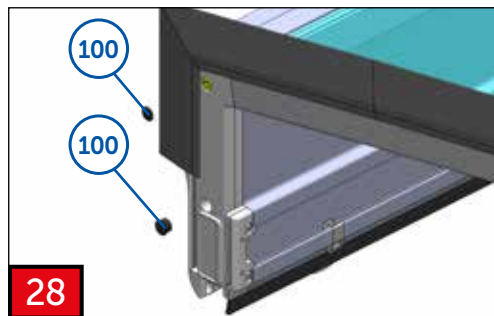
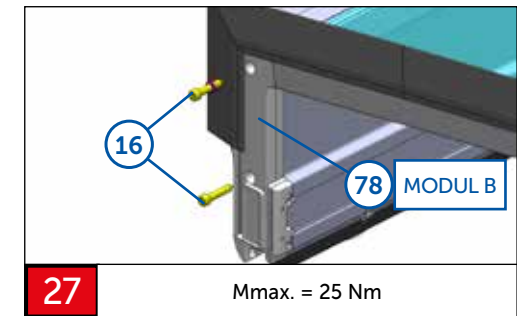
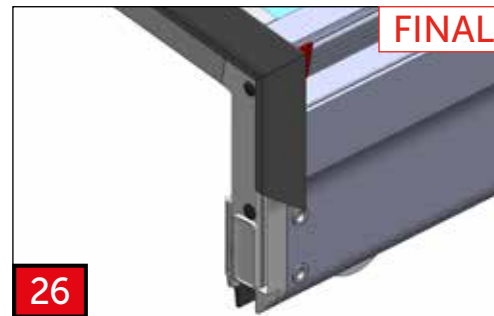
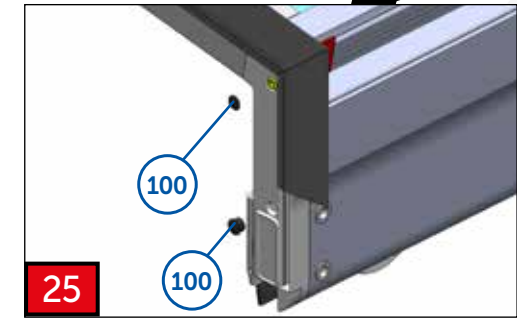
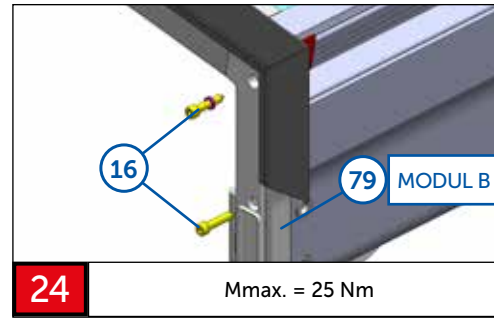
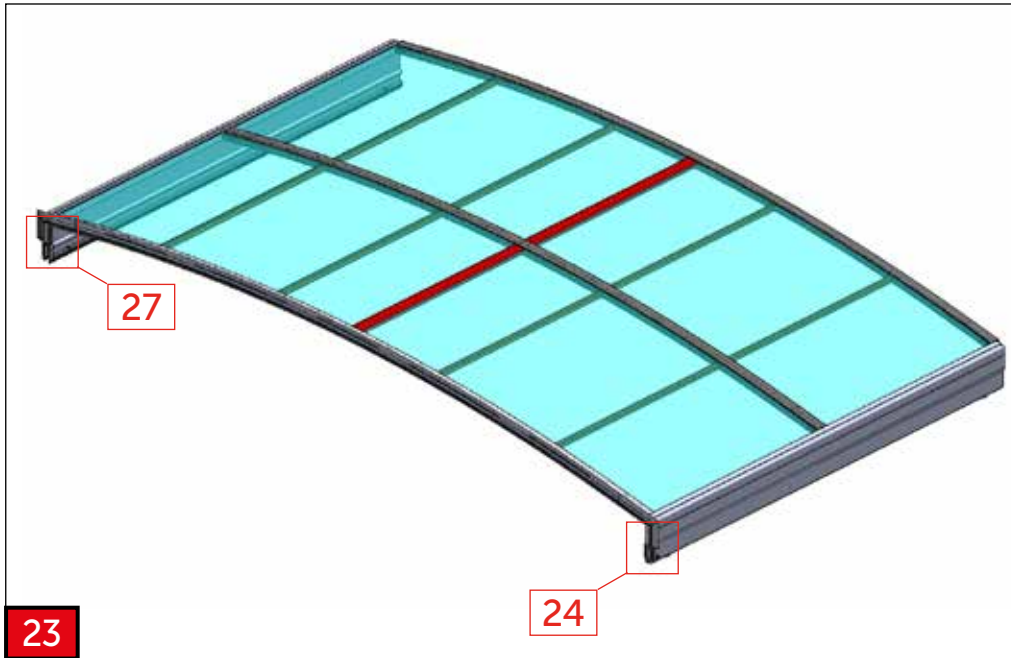


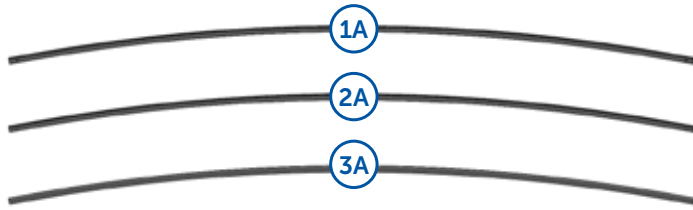




⚠ only SYDNEY CLEAR ⚠







1SP07-01-001

ø4 x 10

20x

7

1SZ03-01-035

DIN 914

M6x14

2x

8

1SZ29-01-008

2x

11

1SZ03-01-040

2x

12

1SP11-01-029

AN 9051

6,3 x 50

1x

13

1SP11-01-031

AN 9051

6,3 x 70

13x

14

1SP11-01-027

AN 9051

6,3 x 38

2x

15

1SP11-01-053

AN 9051 A4

6,3 x 32

6x

16

1NA03-01-050

1x

17

Sydney A/ Clear A 2Z04-01-SD001	1041 mm
Sydney AS/ Clear AS 2Z04-01-SD004	906 mm

8x

36

Sydney A/ Clear A 2Z05-01-SD001	1041 mm
Sydney AS/ Clear AS 2Z05-01-SD005	906 mm

2x

37

2Z12-01-DP020

193 mm

1x

45

2Z12-01-DP019

3549 mm

1x

47

"KL" = "KP"

Sydney A/ Clear A 2Z02-09-SR001	2150 mm
Sydney AS/ Clear AS 2Z02-09-SR011	1880 mm

1x

56

"KL" = "KP"

Sydney A/ Clear A 2Z02-09-SR002	2150 mm
Sydney AS/ Clear AS 2Z02-09-SR012	1880 mm

1x

57

Sydney A/ Clear A 2Z02-09-SD027	2150 mm
Sydney A/ Clear A 2Z02-09-SR028	1880 mm

2x

58

Sydney A/ Clear A	1929 x 1050 mm
Sydney AS/ Clear AS	1929 x 915 mm

MODULA

4x

60

2x

64

2x

66

2Z09-01-SD078

1x

MODULA

74


2Z09-01-SD079

1x

MODULA

75


1SP10-01-077



DIN 912
M 5x65
2x

91


1SP10-01-084



ISO 7380
M 6x20
4x

92


1SZ18-02-010



2x

93


1SZ18-02-012



4x

94


1SP11-01-049



AN 9051
4,8x60
6x

95


1SP10-01-078



DIN 912
M 6x65
4x

96


1SP10-01-082



DIN 912
M 6x100
4x

97


1SZ03-01-038



2x

98

1SZ03-01-030



4x

99

1SZ12-01-010



8x

100


1SZ12-01-052



2x

104


1SZ12-01-051



2x

10

1SP10-01-025



DIN912
M6x25
2x

108

2Z09-01-SD076



1x

72

 MODULA

2Z09-01-SD077




1x

73


 MODULA

1SZ18-02-001D



1x

3

 MODULA

1SZ18-02-002D



1x

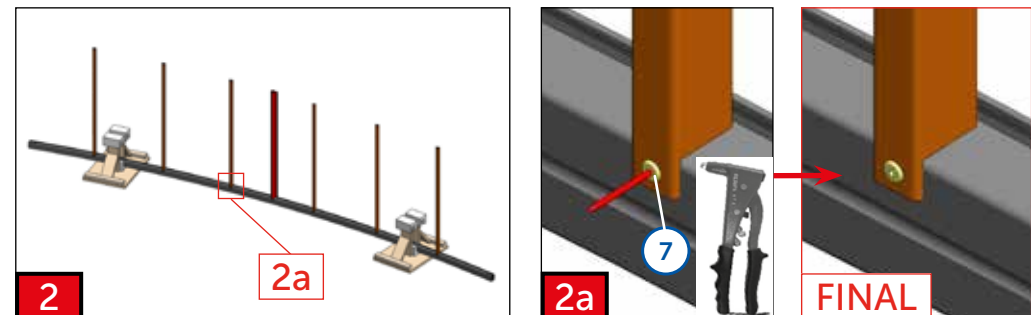
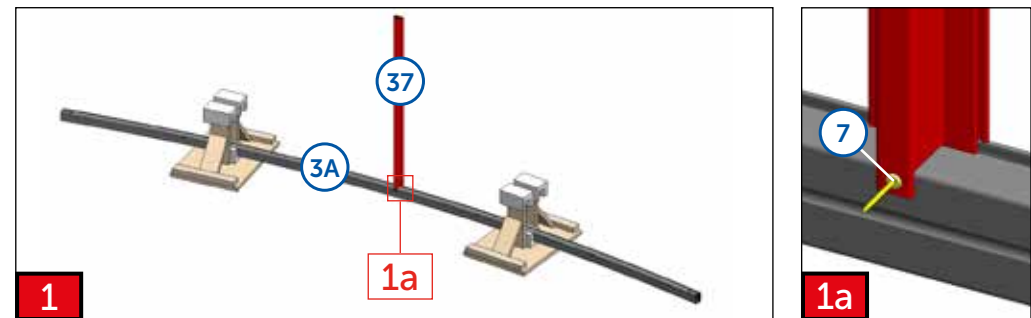
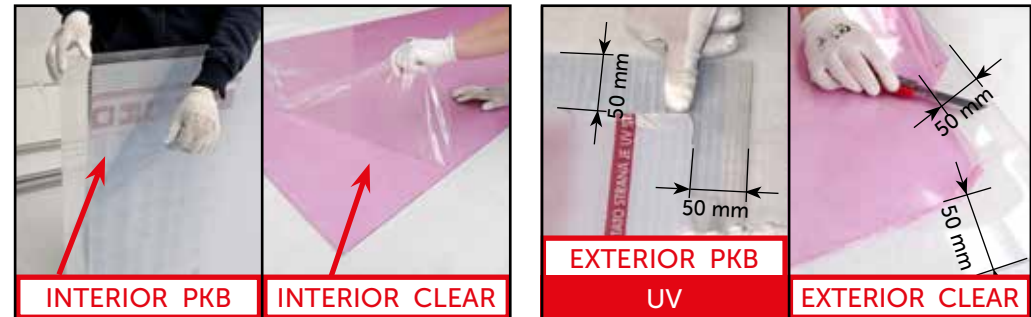
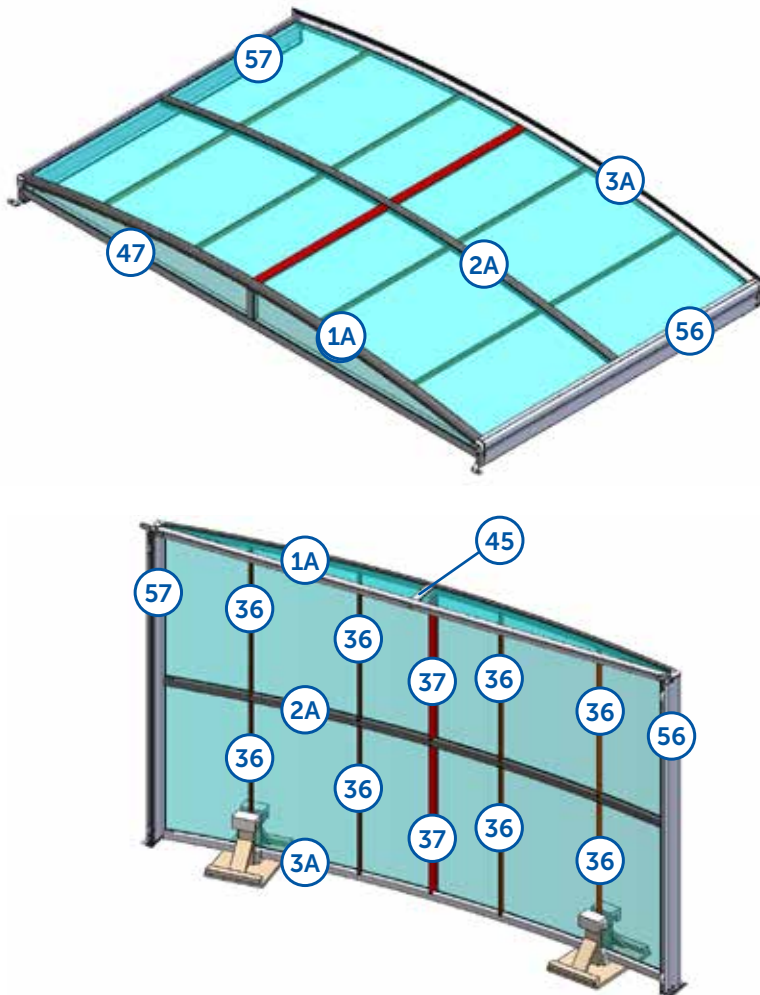
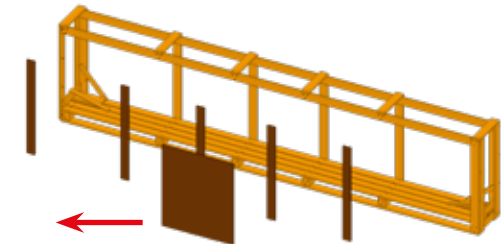
4

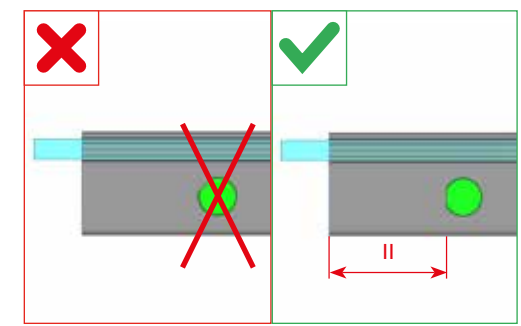
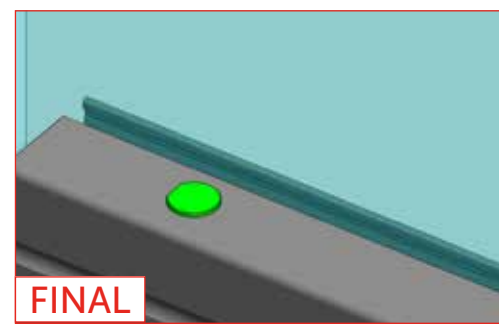
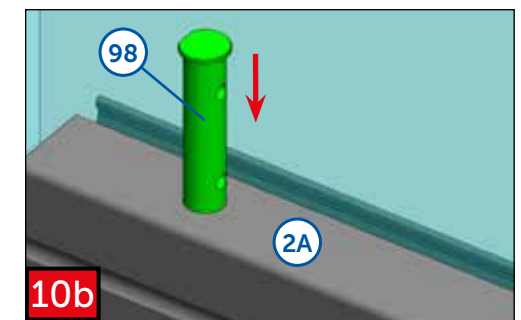
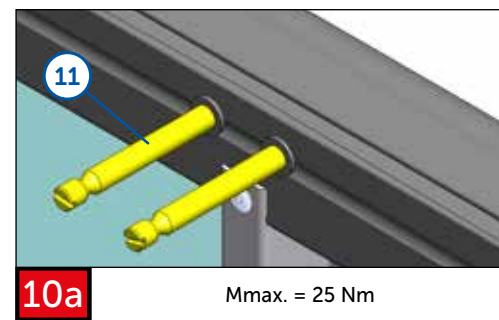
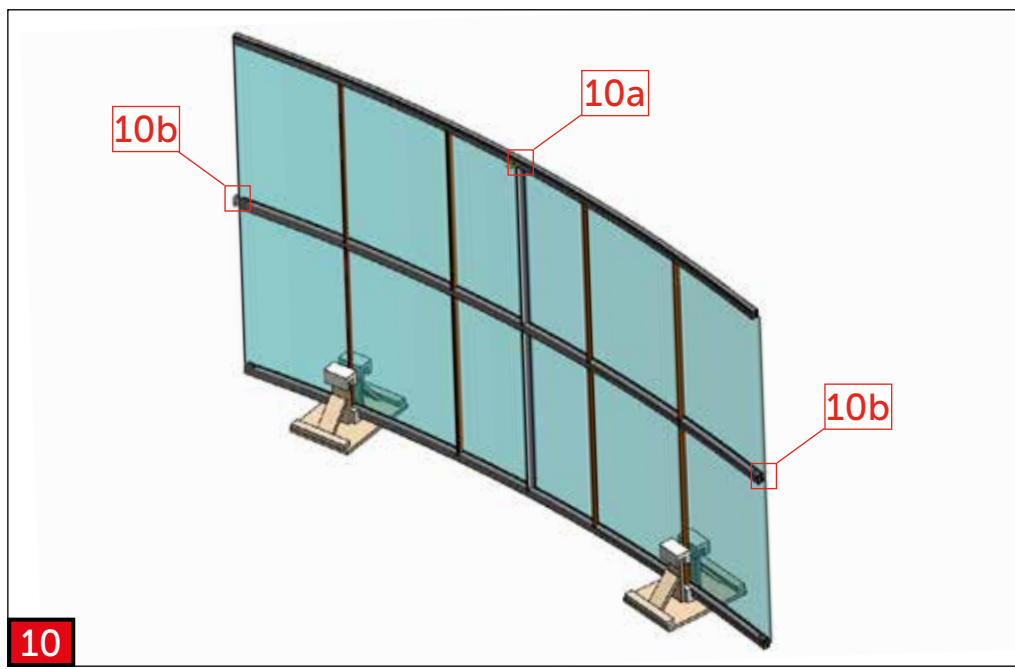
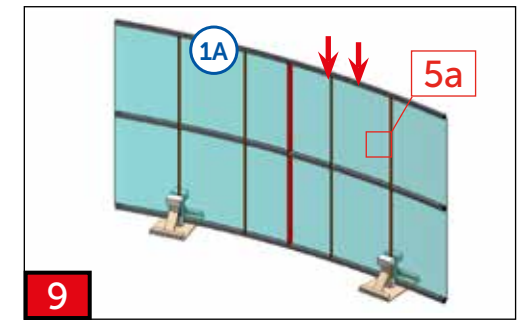
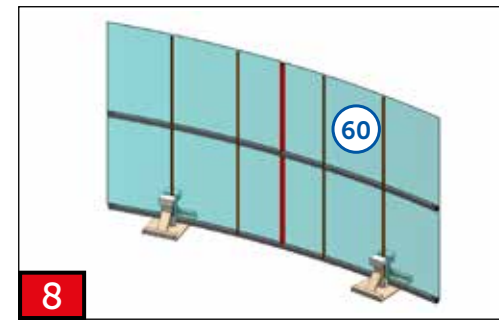
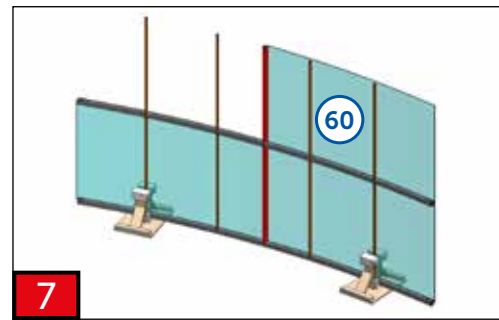
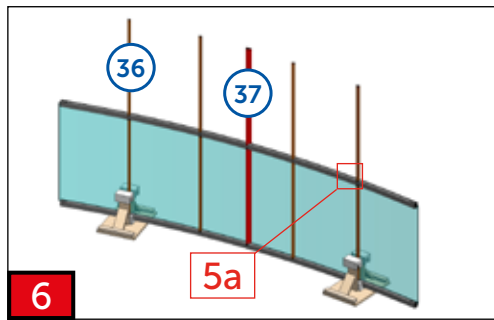
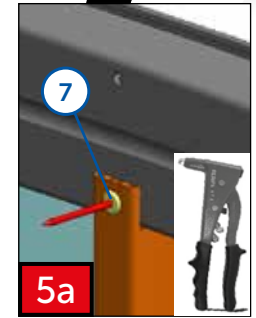
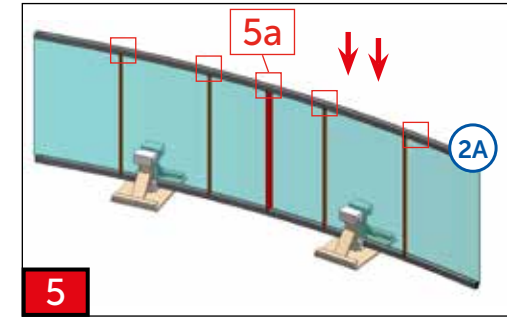
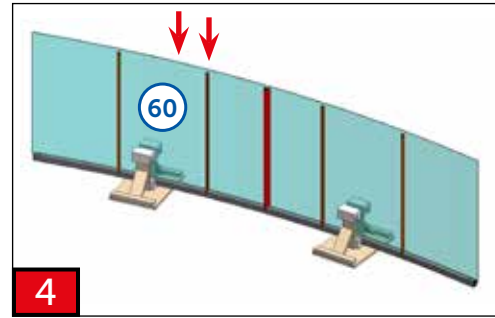
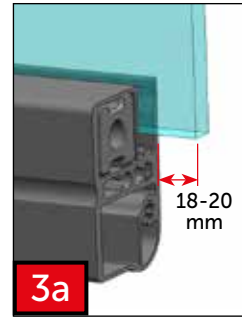
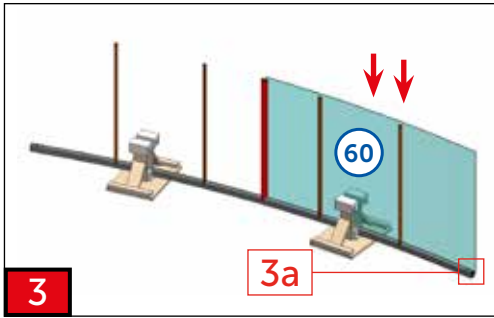
 MODULA

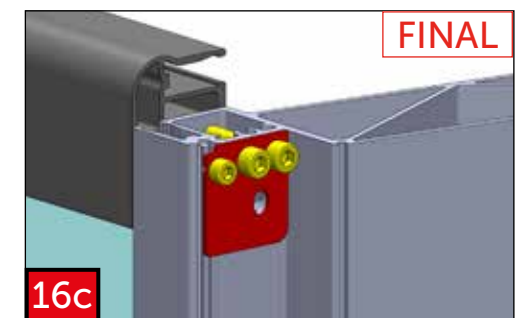
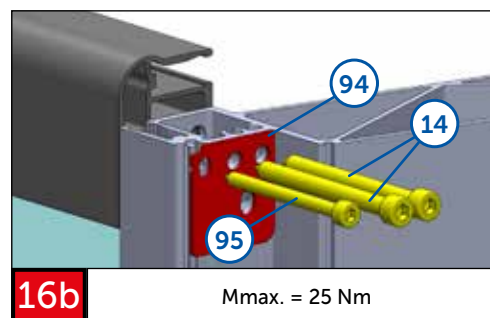
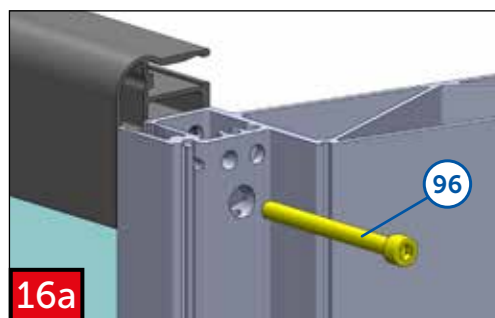
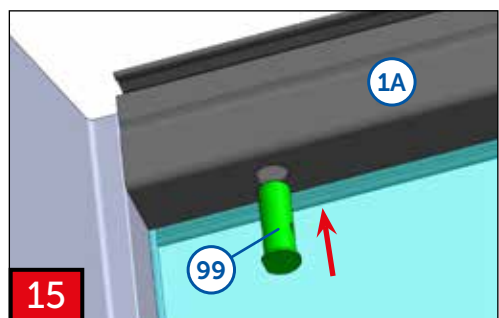
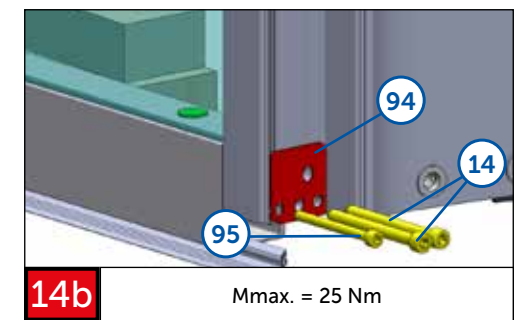
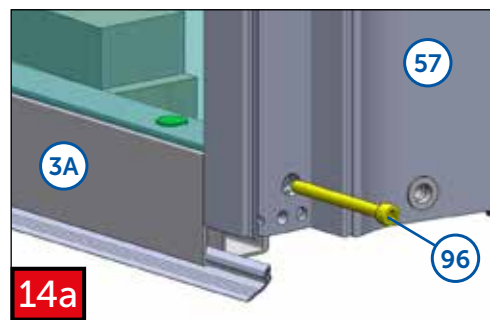
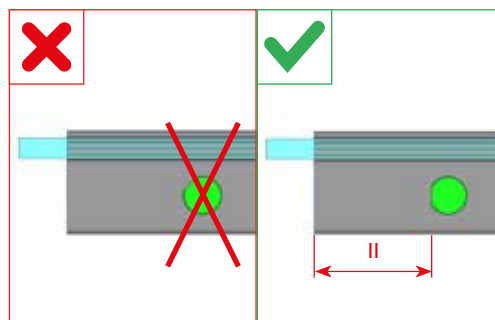
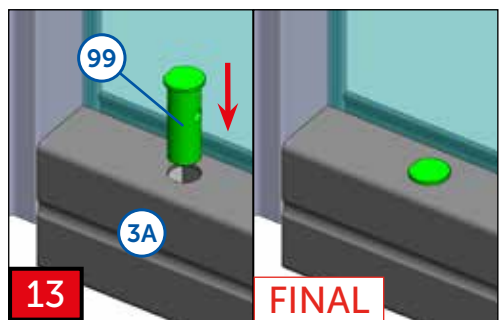
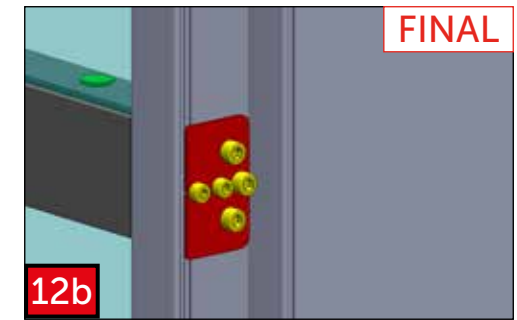
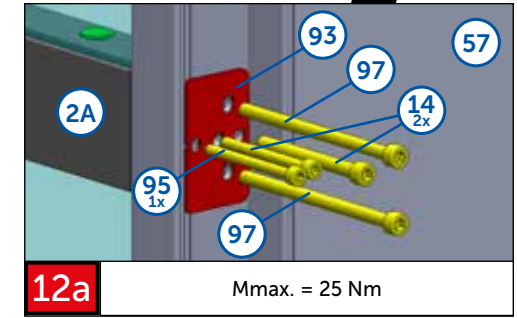
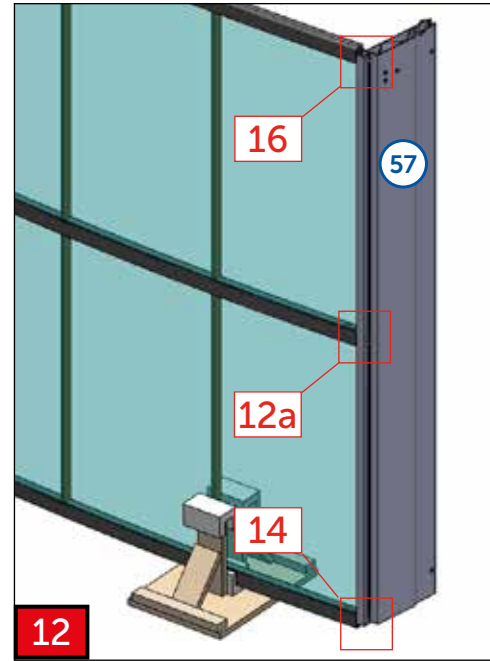
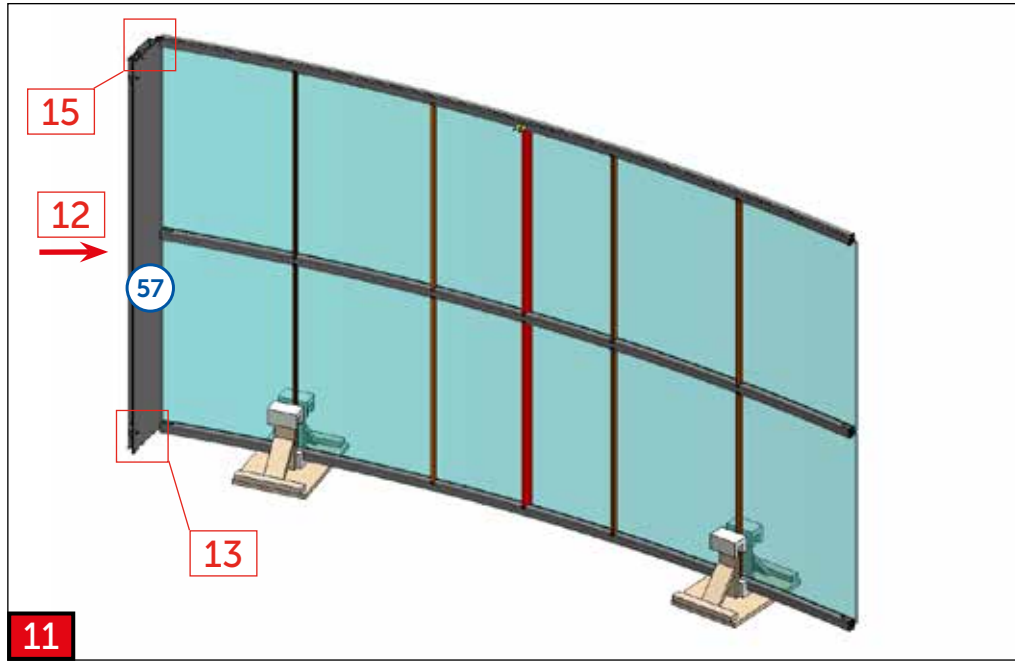
Pomocný držák pro montáž modulu
Auxiliary holder for the assembly of module
Zusätzliche Halterung für die Modulmontage
Support auxiliaire pour l'assemblage du module
Вспомогательный держатель для сборки модуля

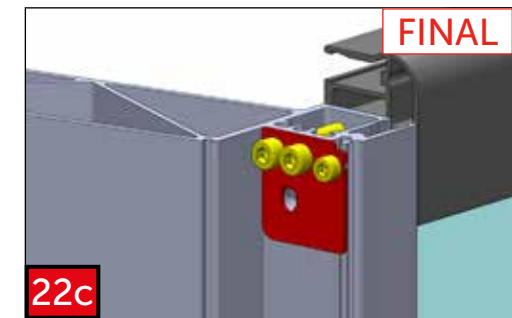
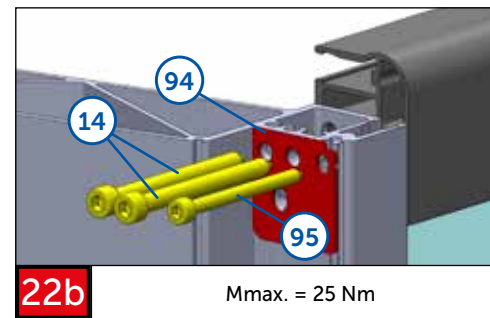
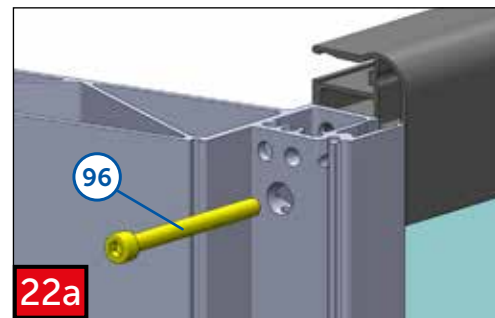
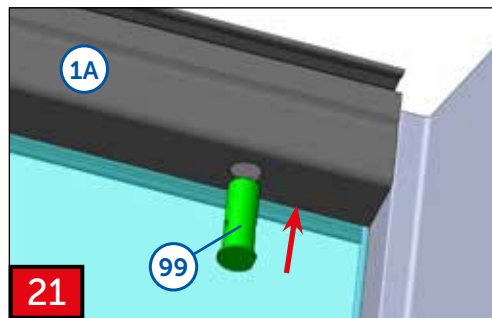
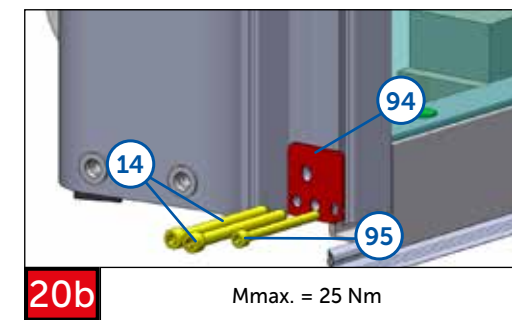
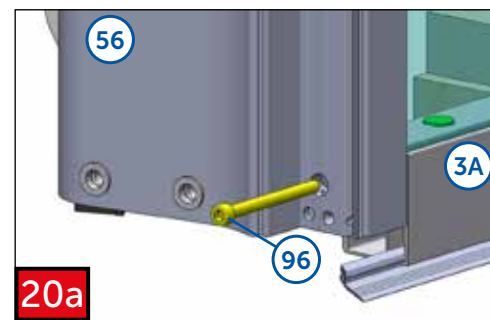
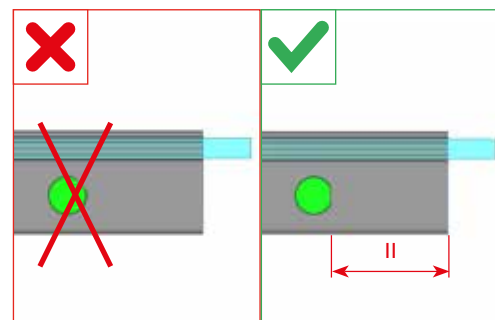
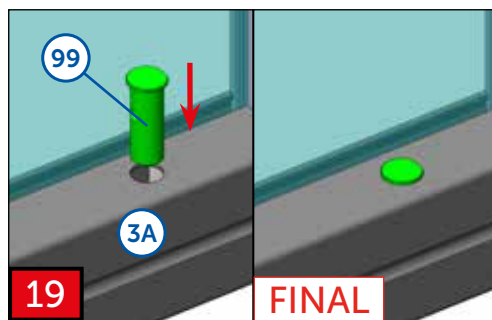
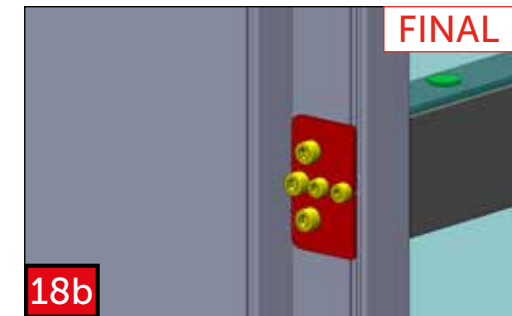
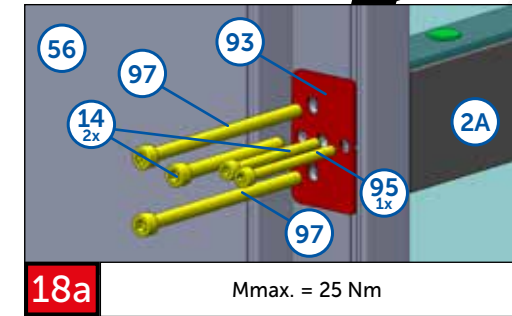
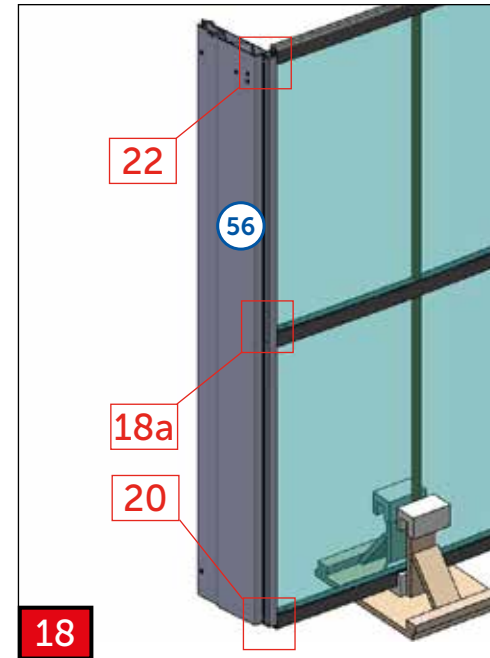
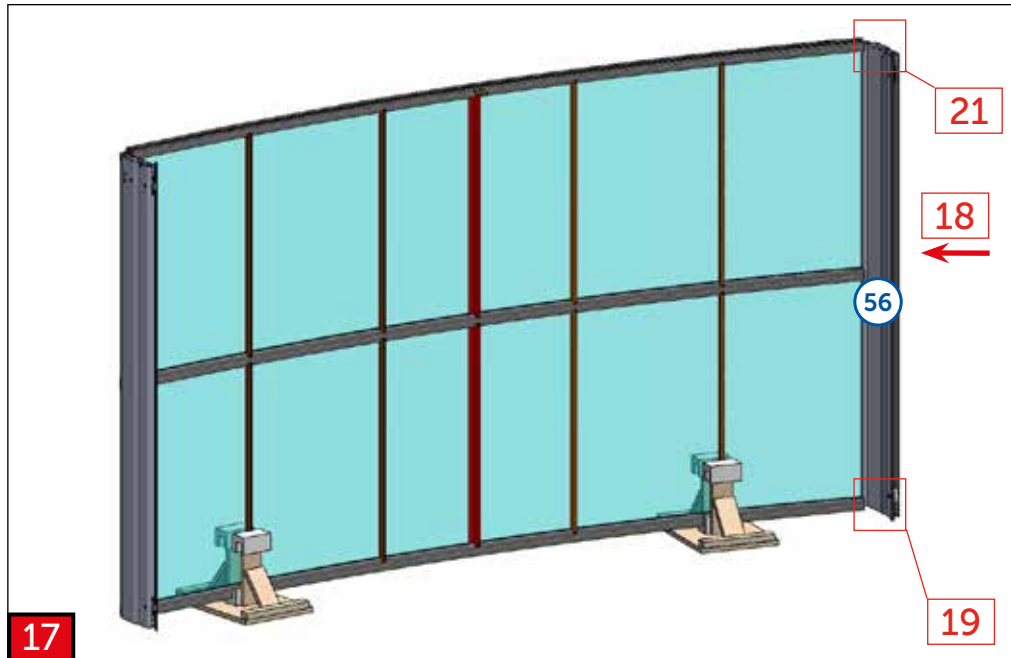


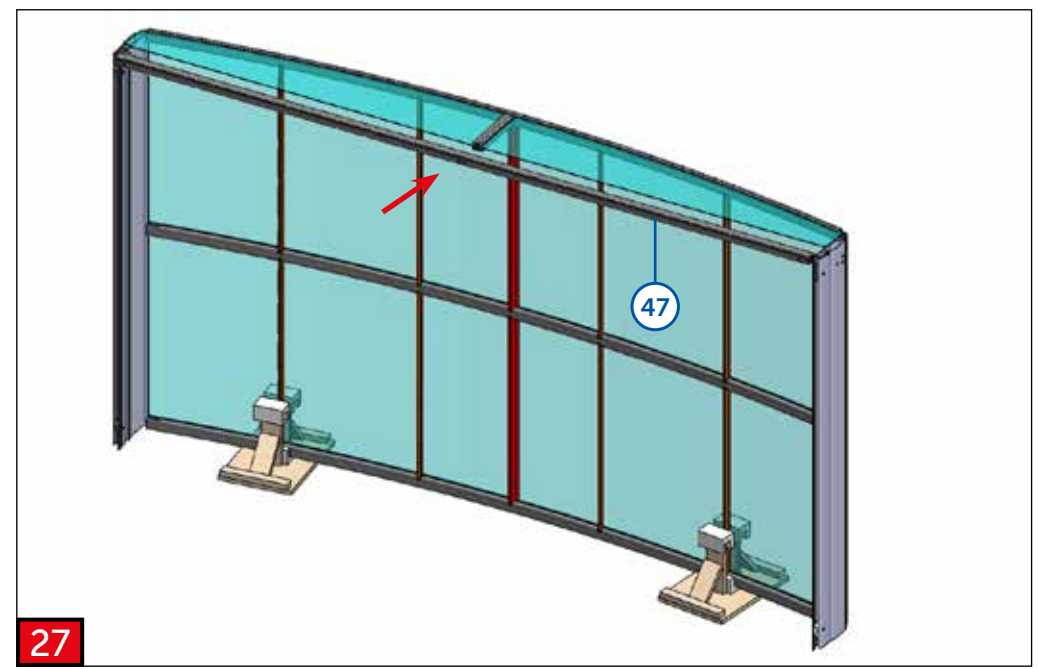
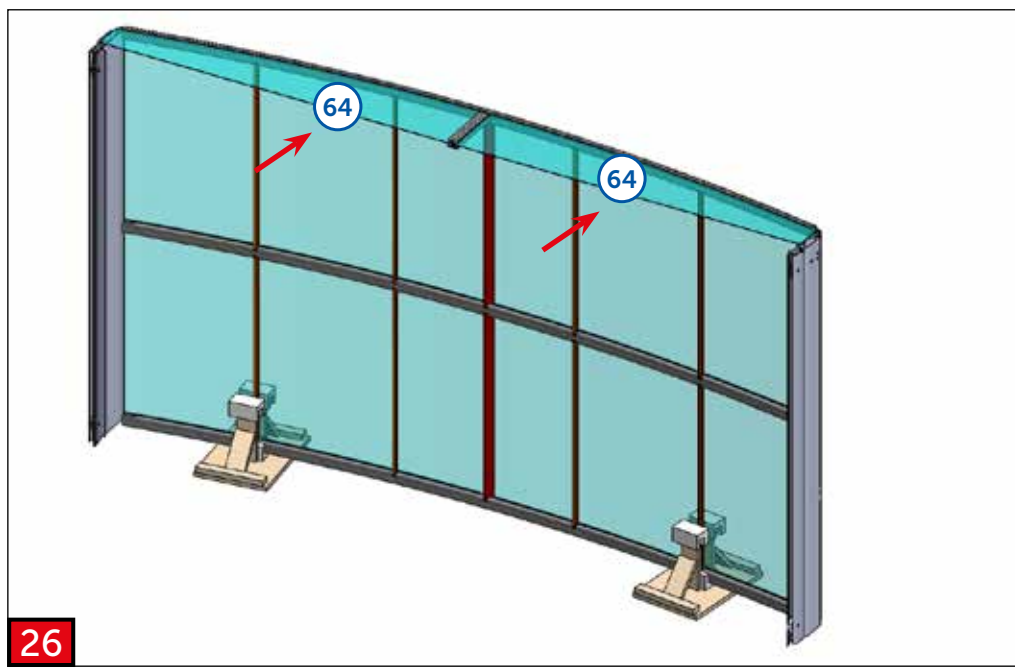
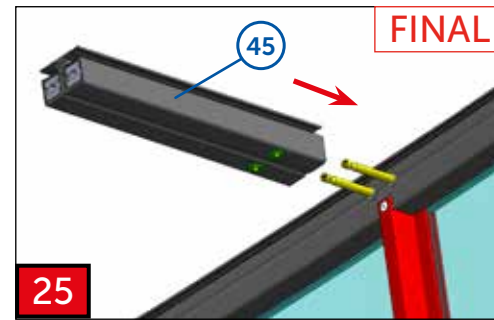
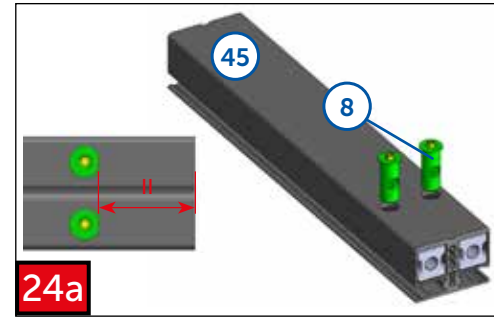
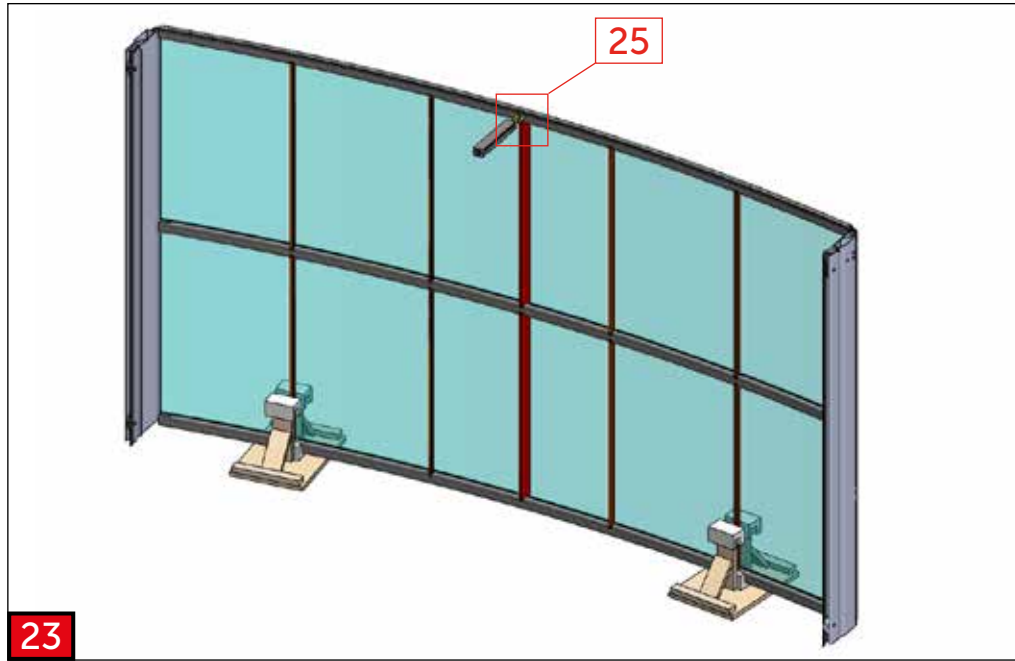
Nutné zajistit modul proti překlopení. Doporučujeme vyrobit držák z balení (prkna + výložky) nebo zajistit jiným způsobem.
 The module must be secured against falling. We recommend that you make a holder from the transport box (boards + foam liner) or that you secure the module in other safe way.
 Das Modul muss gegen Umkippen gesichert werden. Wir empfehlen, einen Halter aus der Verpackung (Bretter + Liner) zu machen oder das Modul auf andere Weise zu sichern.
 Il est nécessaire d'assurer le module contre son renversement. Nous recommandons de fabriquer le support de l'emballage (les planches + les parements) ou de l'assurer autrement.
 Необходимо обезопасить модуль от опрокидывания. Мы рекомендуем сделать держатель из упаковки (доски + вкладыши) или закрепить его другим способом.

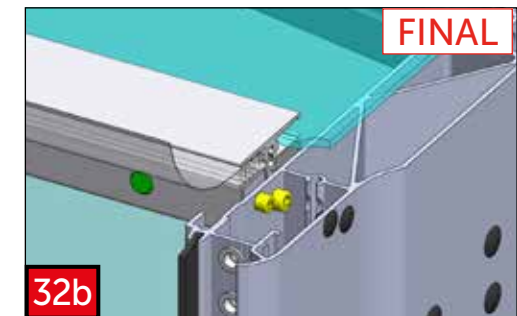
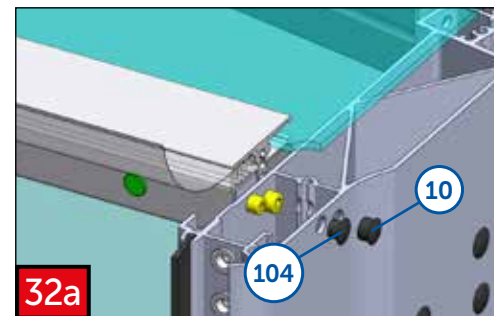
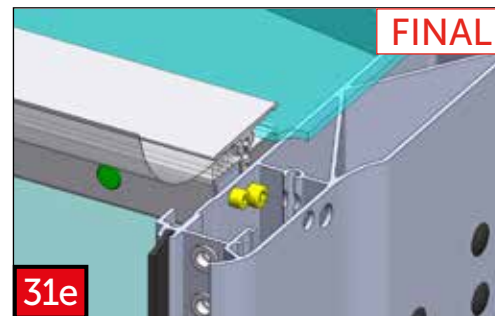
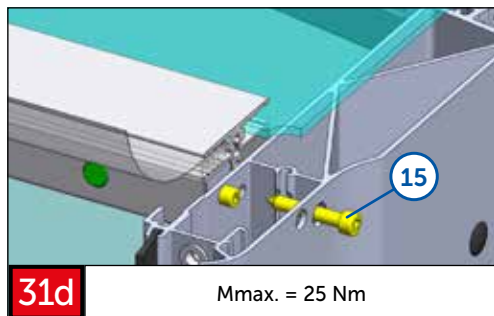
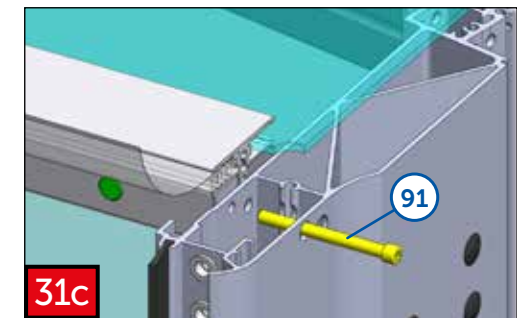
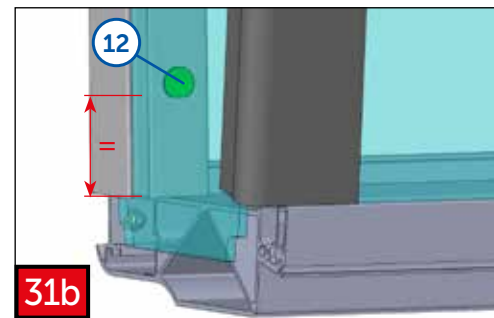
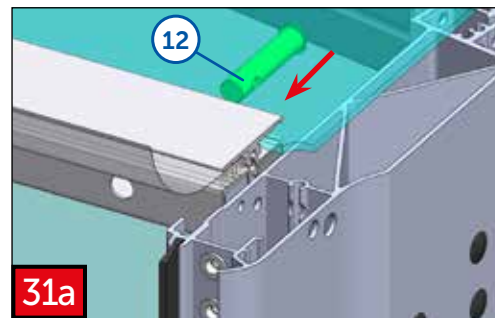
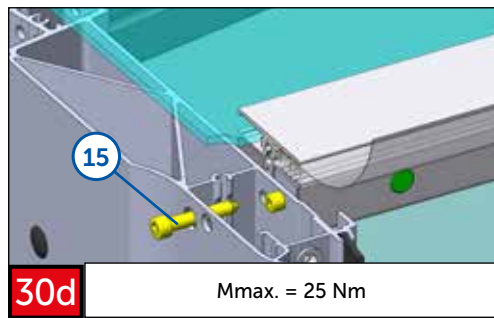
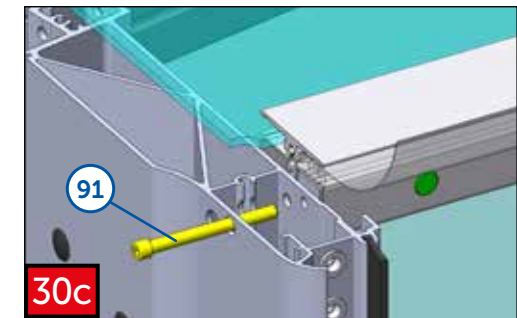
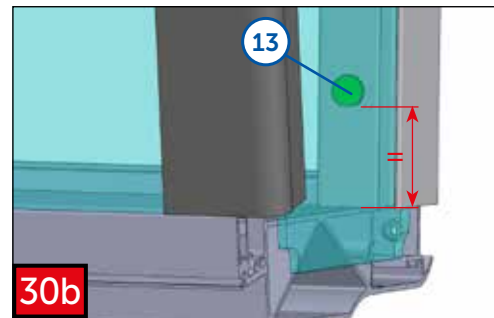
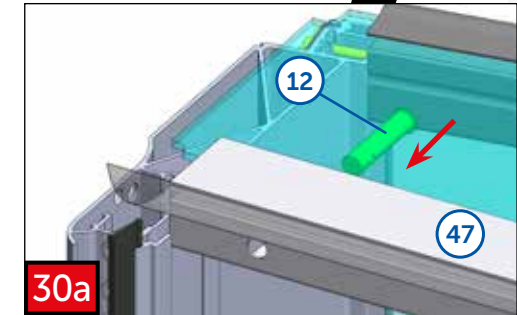
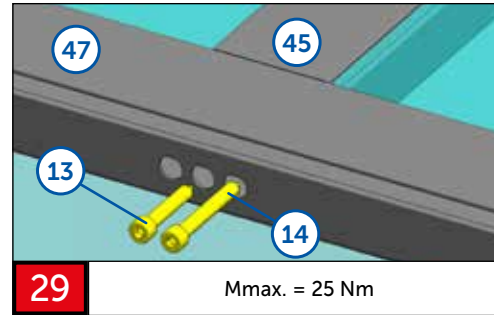
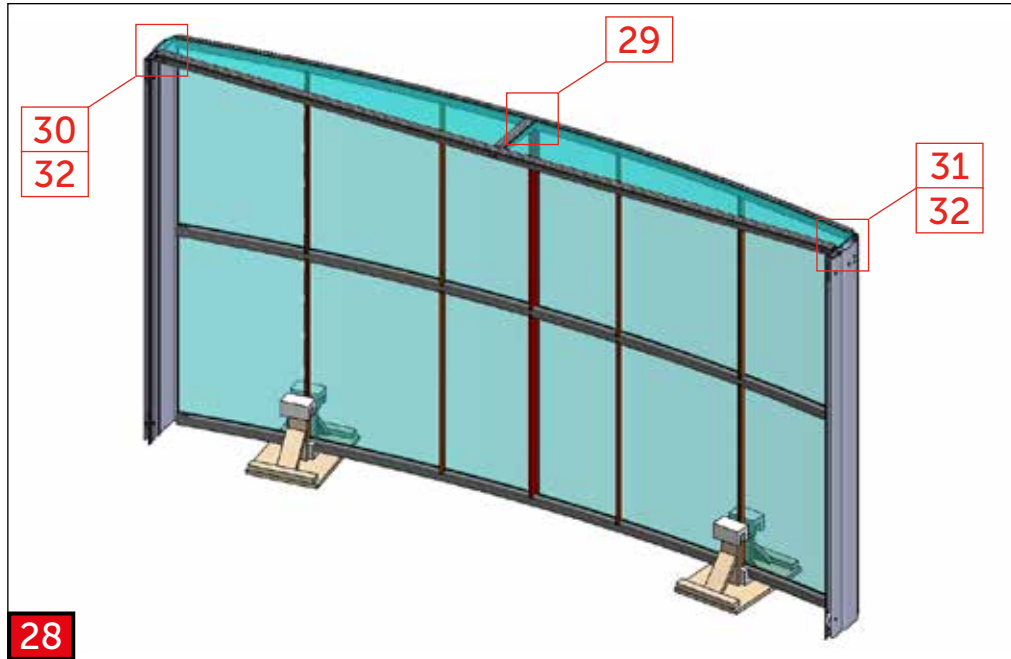




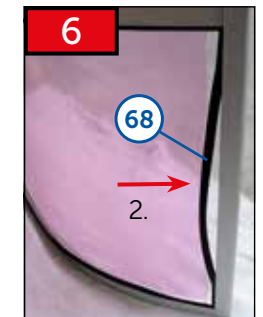
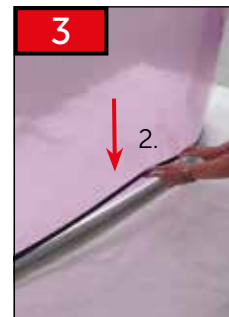
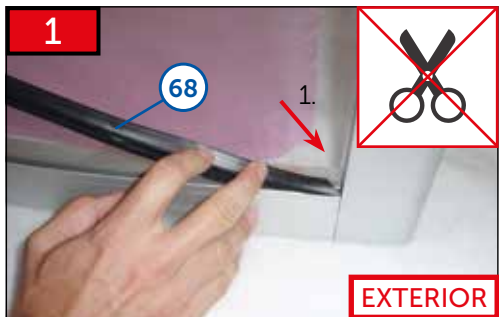
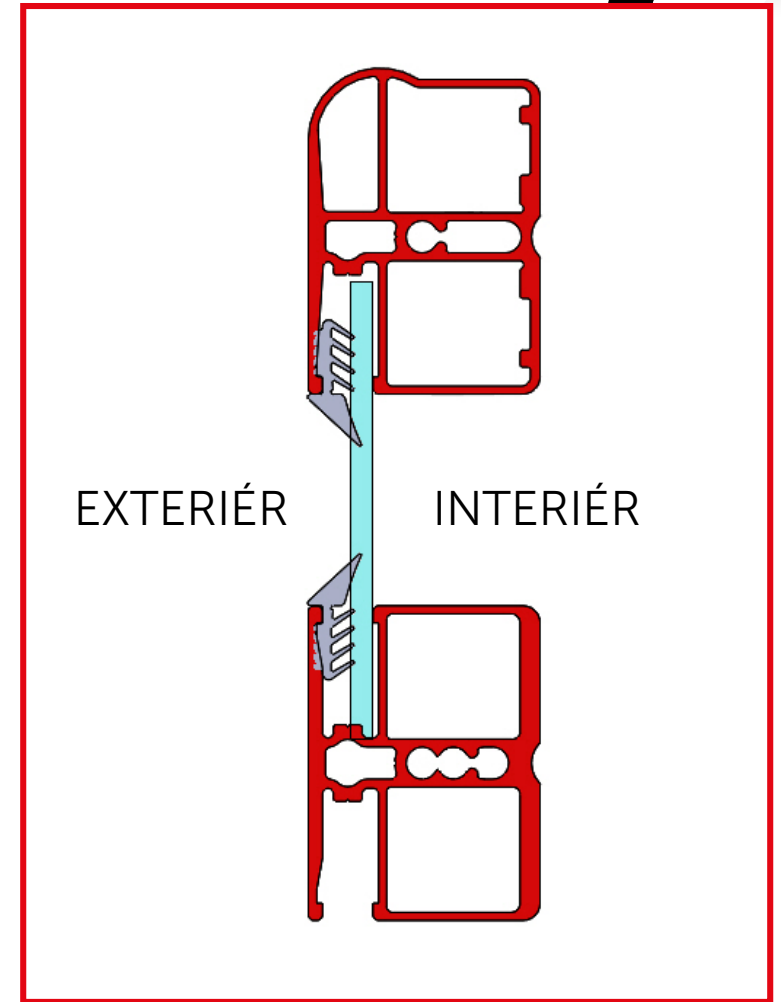
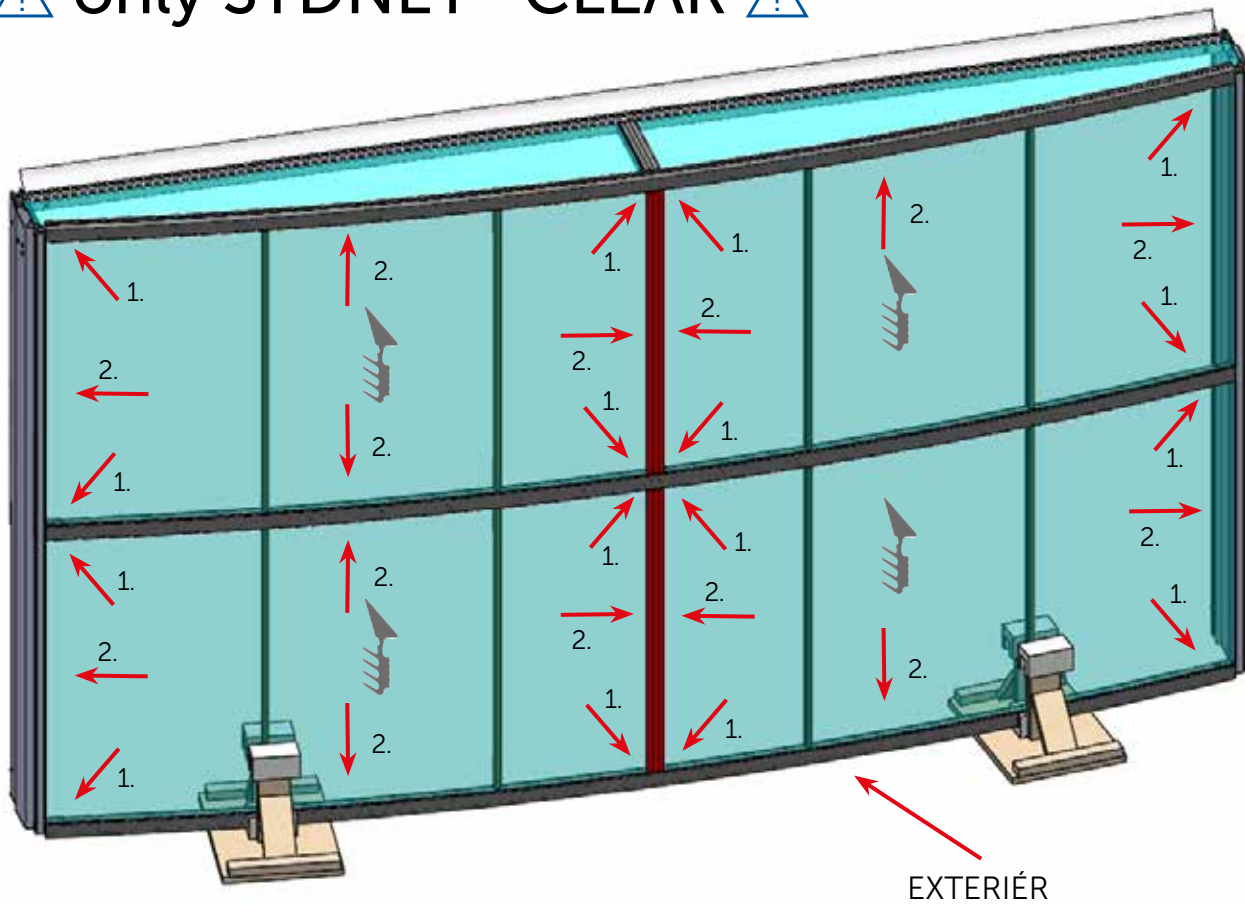


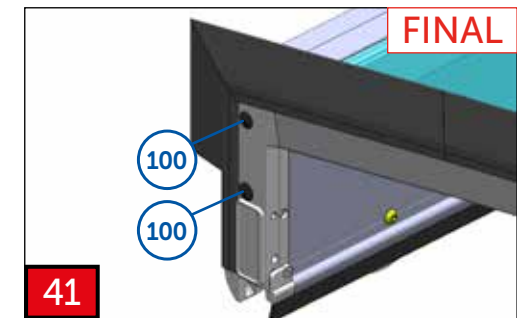
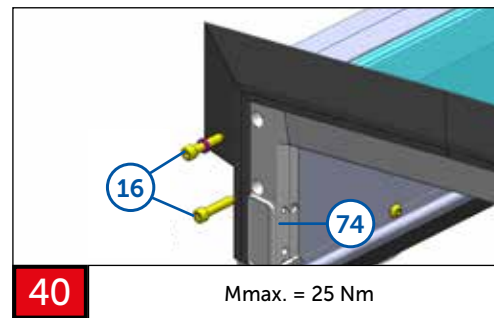
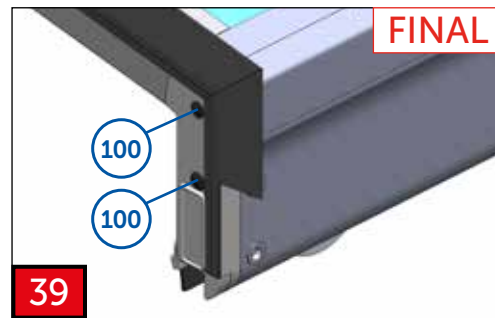
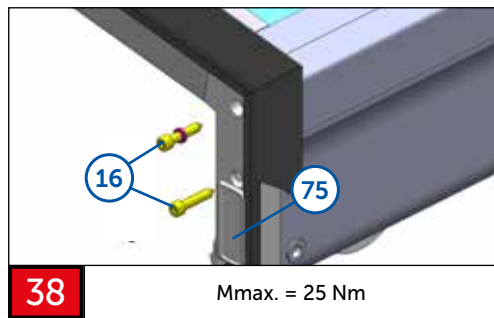
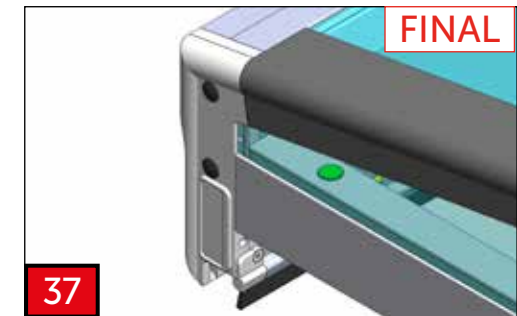
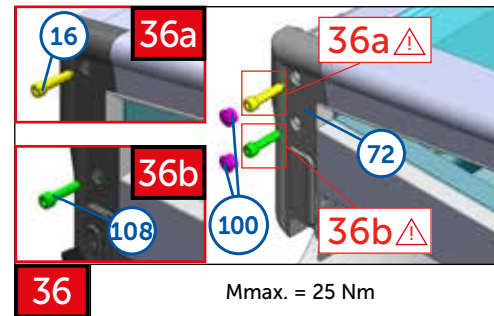
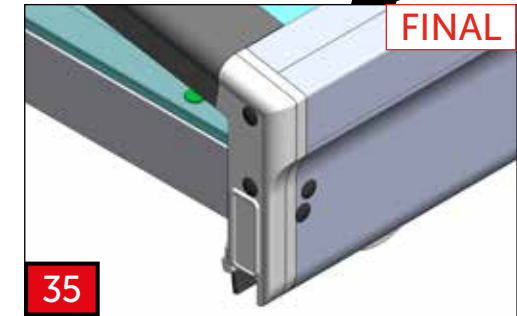
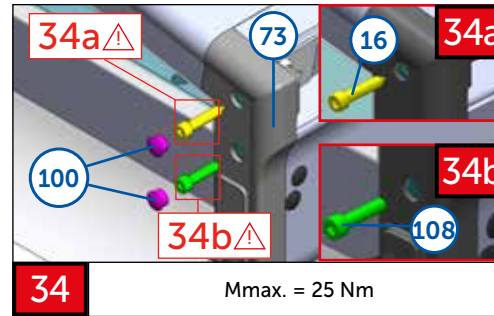
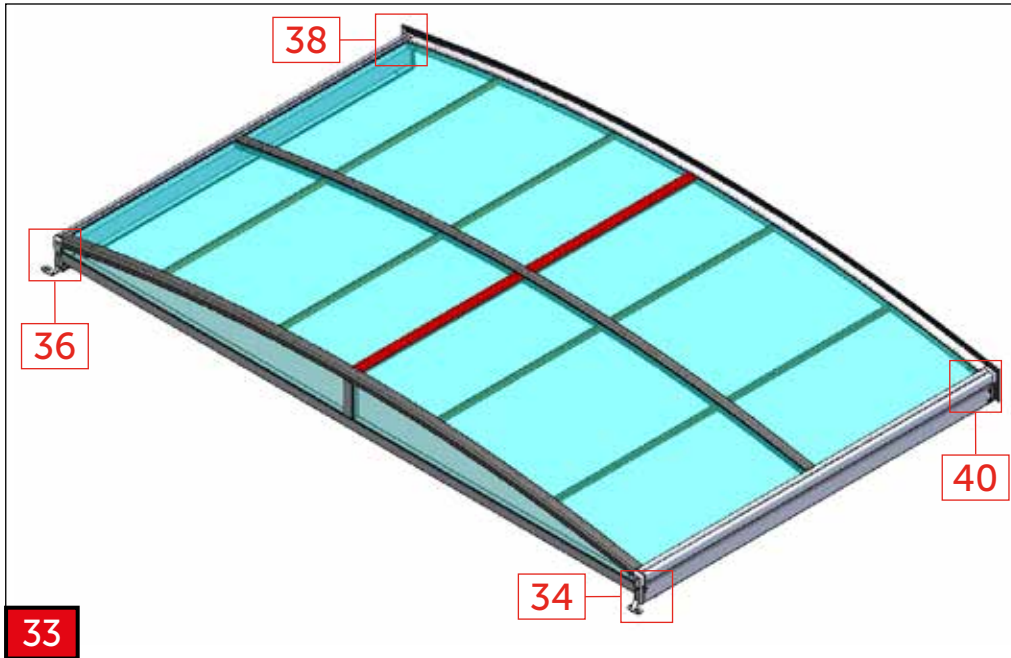


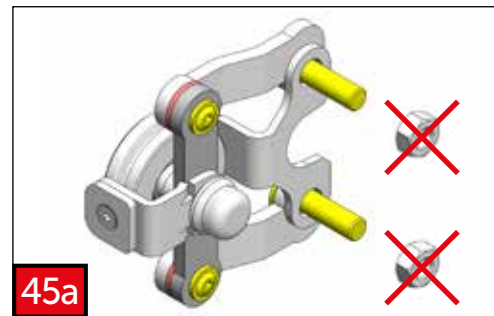
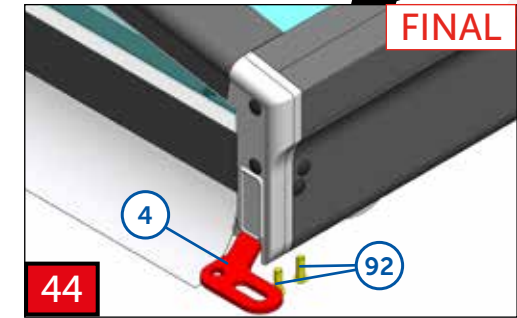
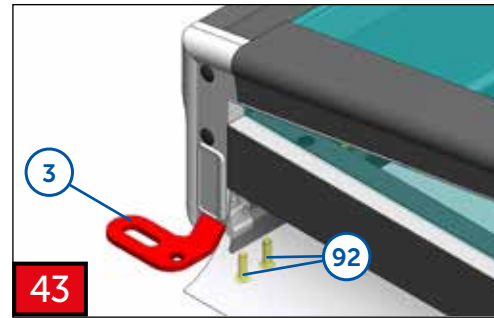
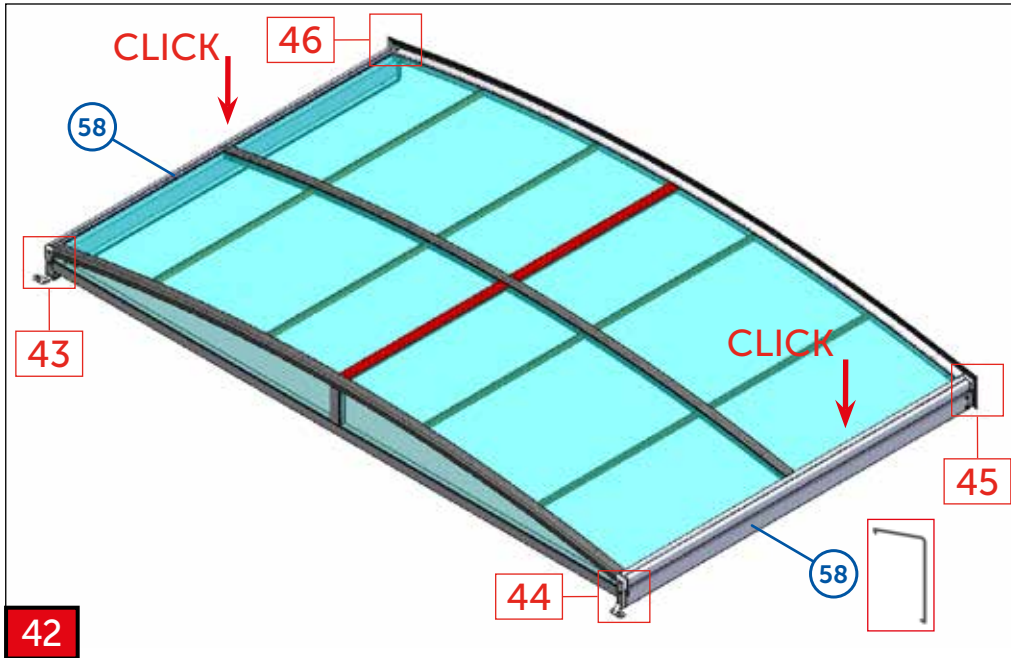




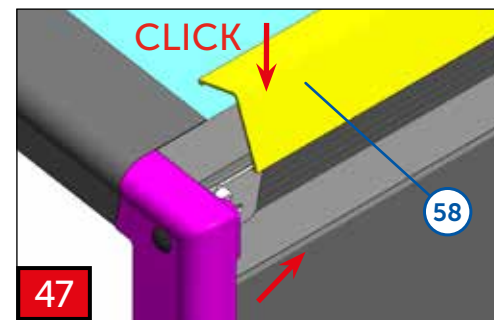
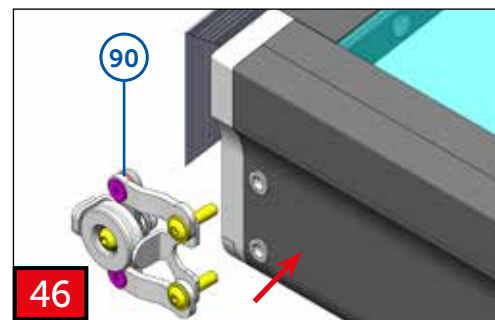
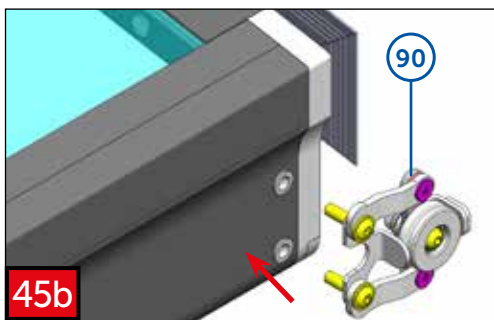
⚠ only SYDNEY CLEAR ⚠

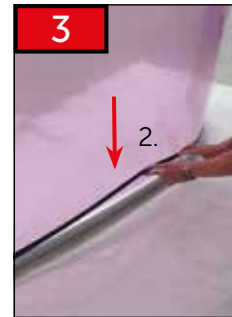
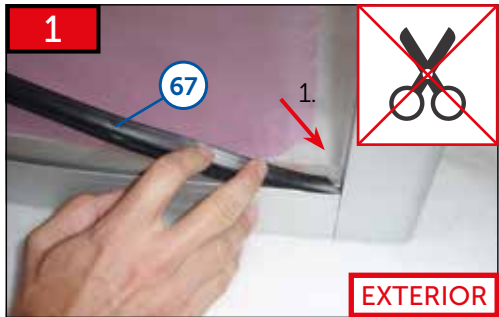
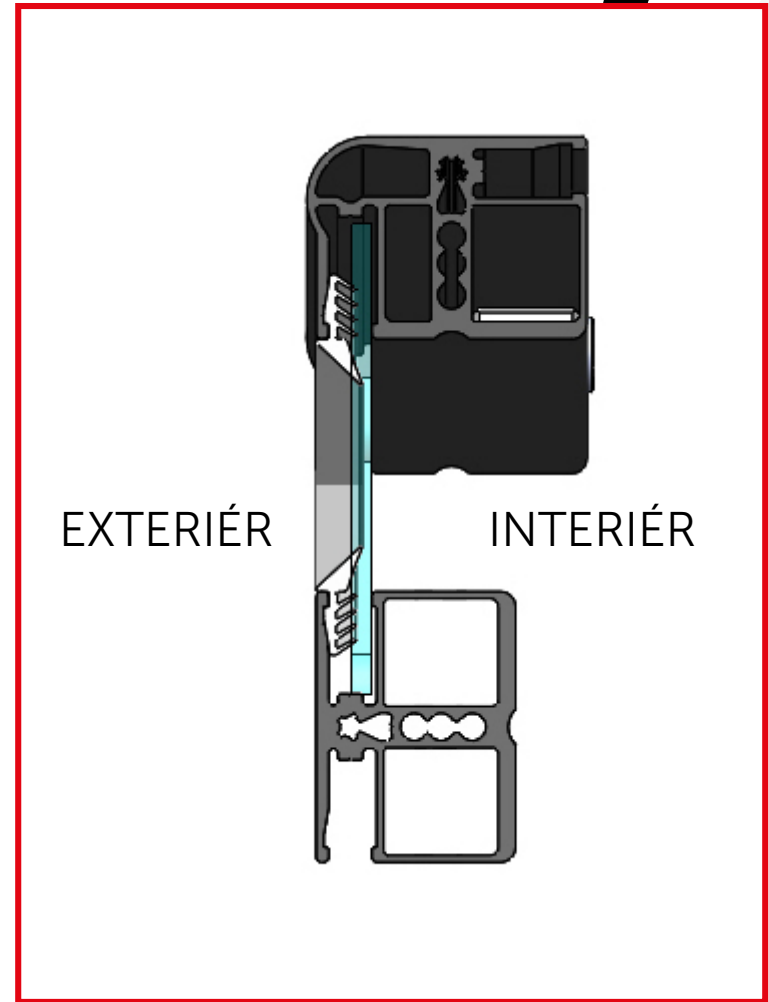
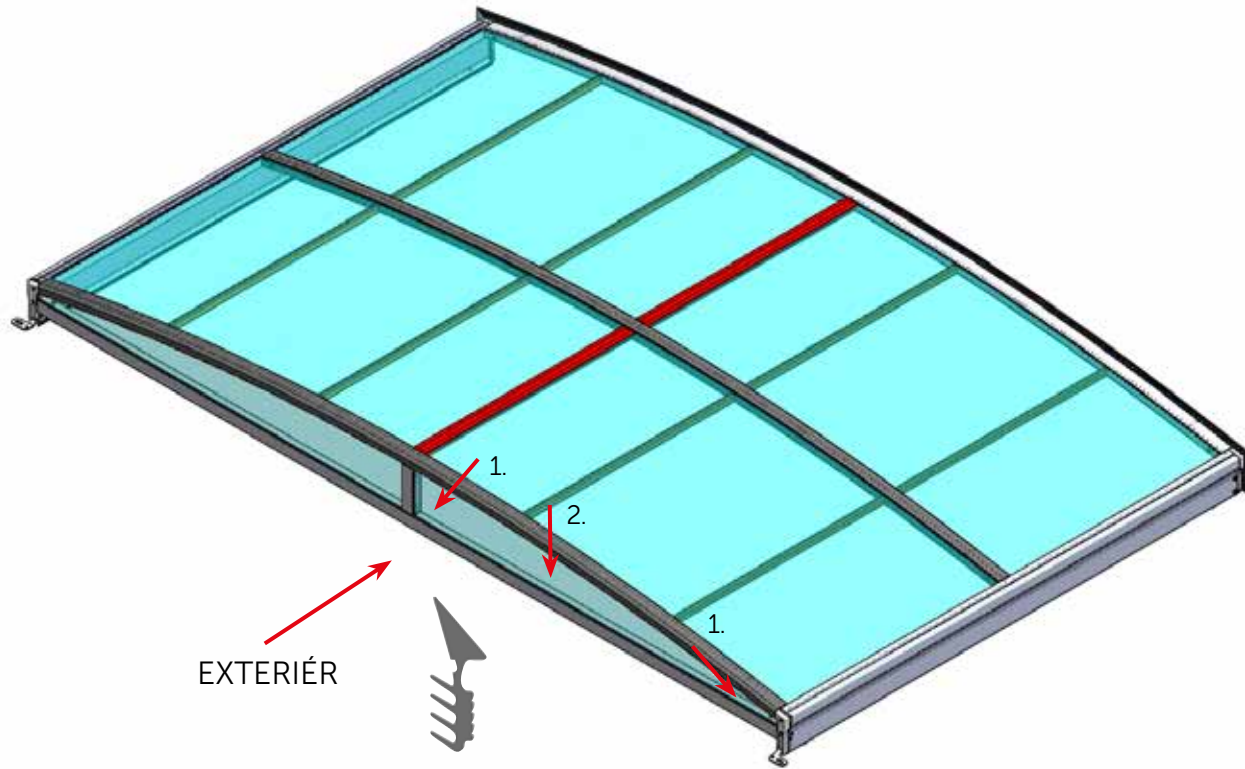






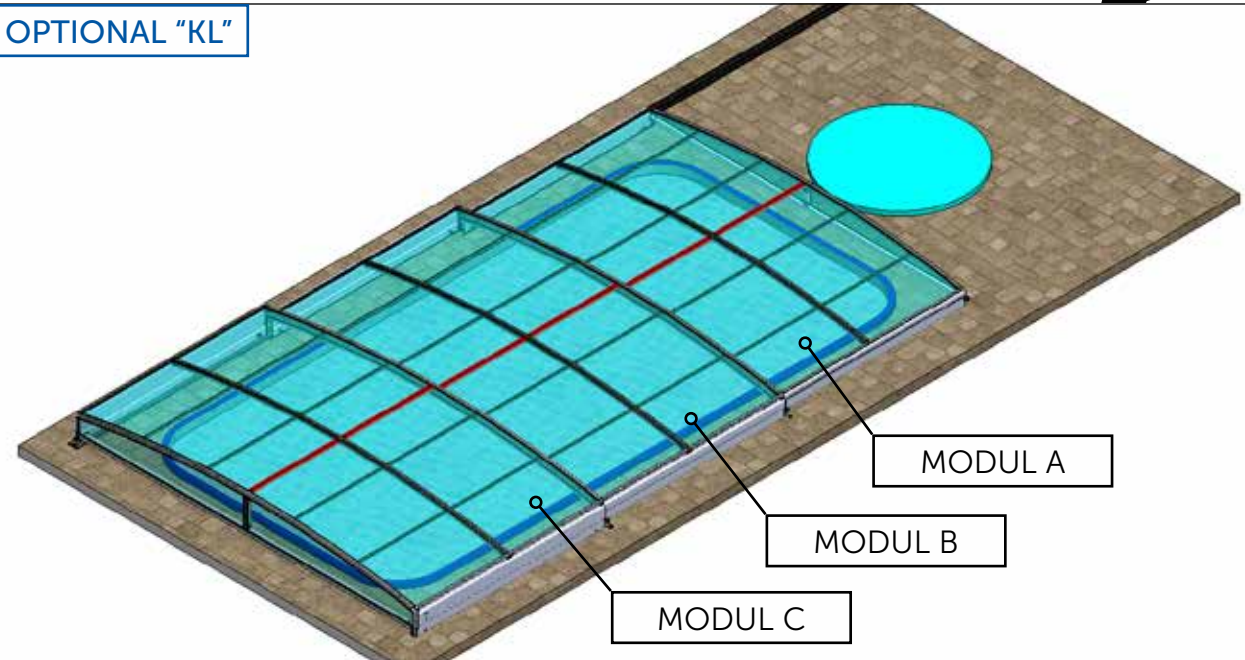
Jistící matky před montáží odstranit
 Remove the lock nuts before mounting
 Sicherungsmutter vor der Montage entfernen
 Enlevez les contre-écrous avant le montage
 Перед установкой снимите стопорные гайки



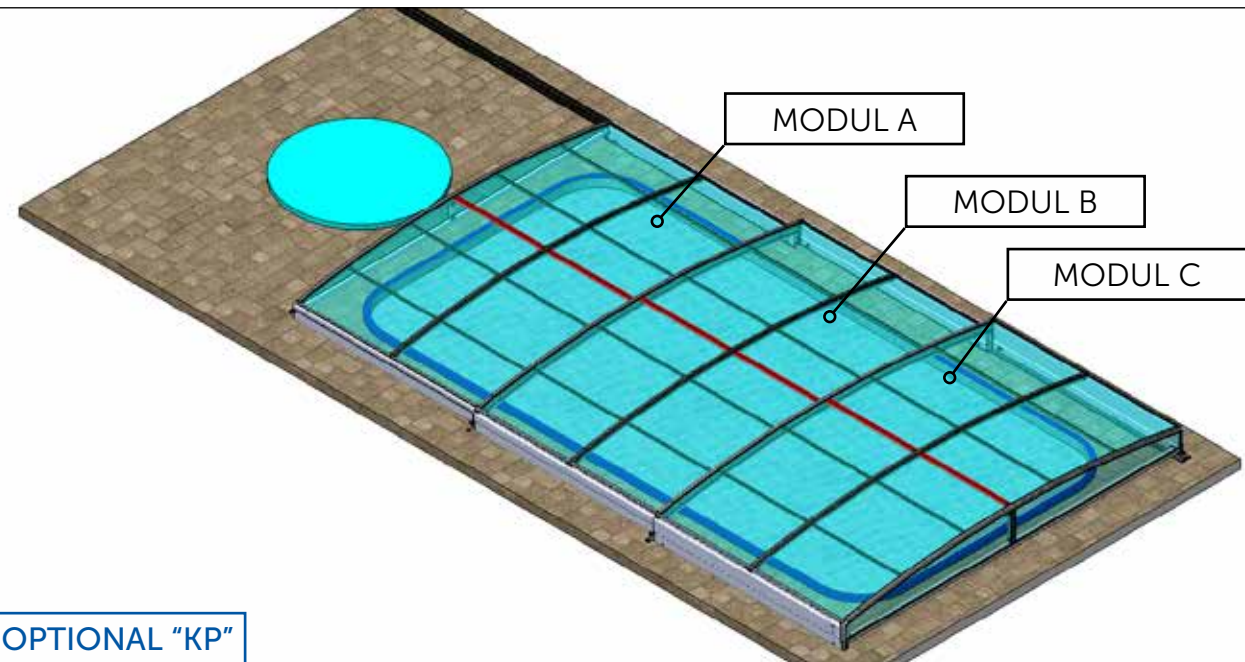


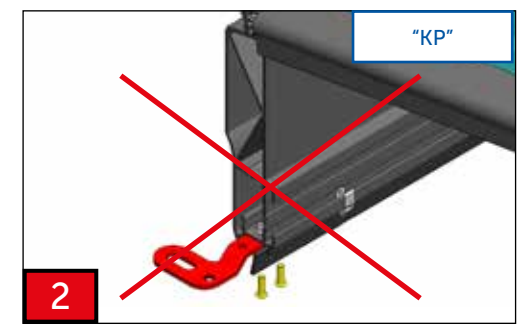
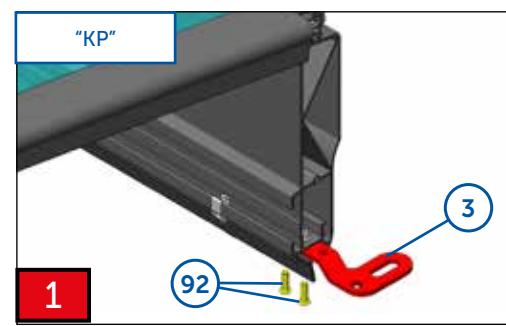
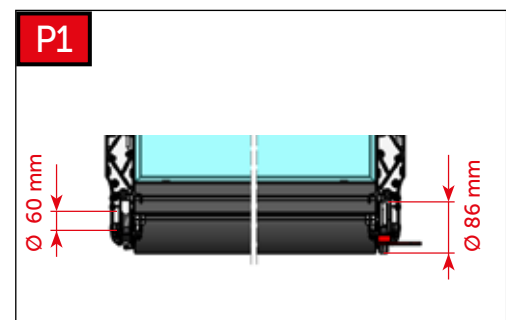
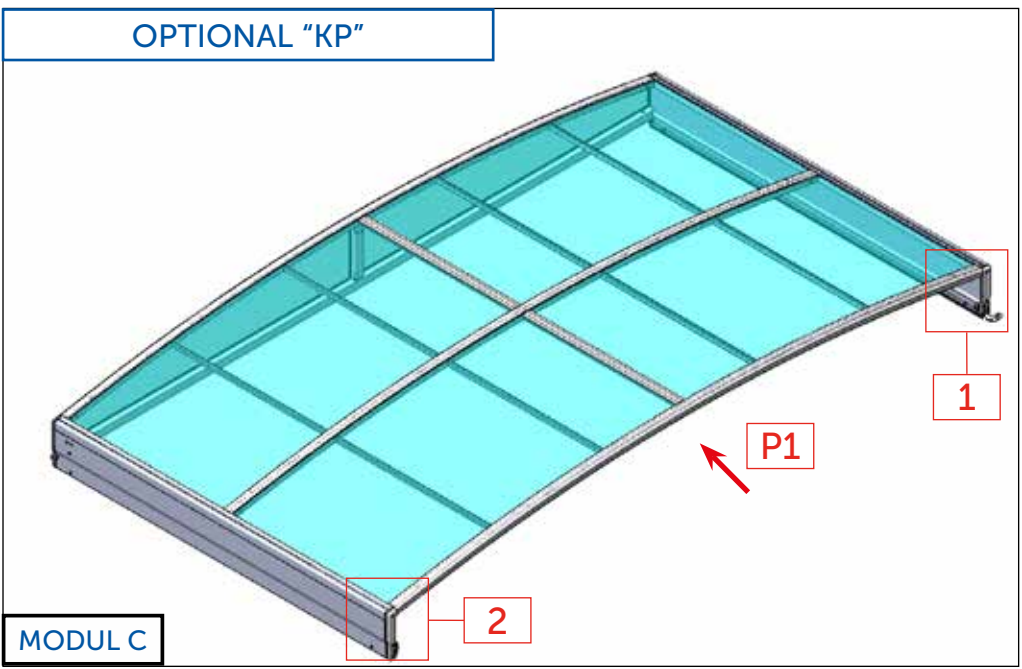
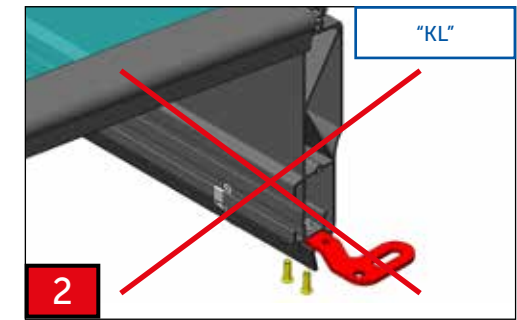
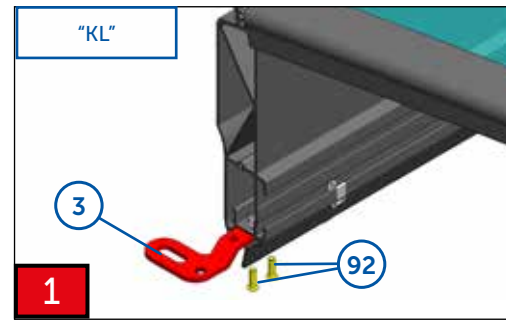
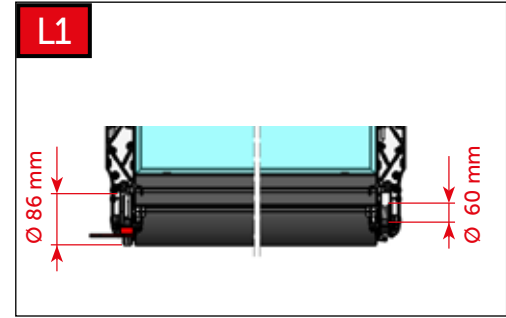
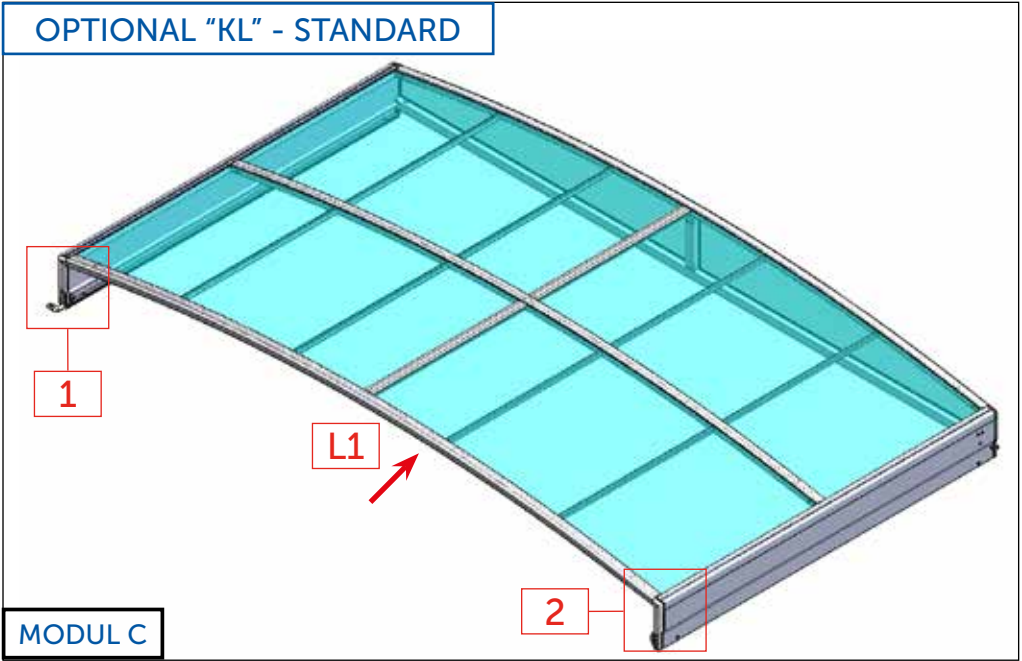
Umístění modulů na bazén
 Placing of modules on the swimming pool
 Lage der Module auf dem Pool
 Emplacement des modules au-dessus de la piscine
 Расположение модулей на бассейне

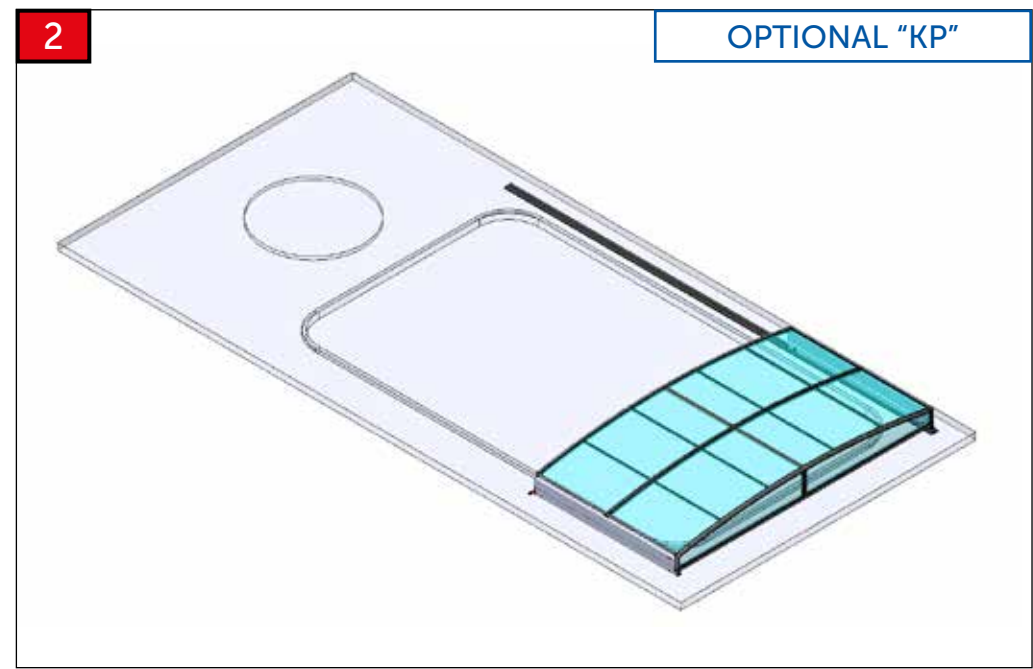
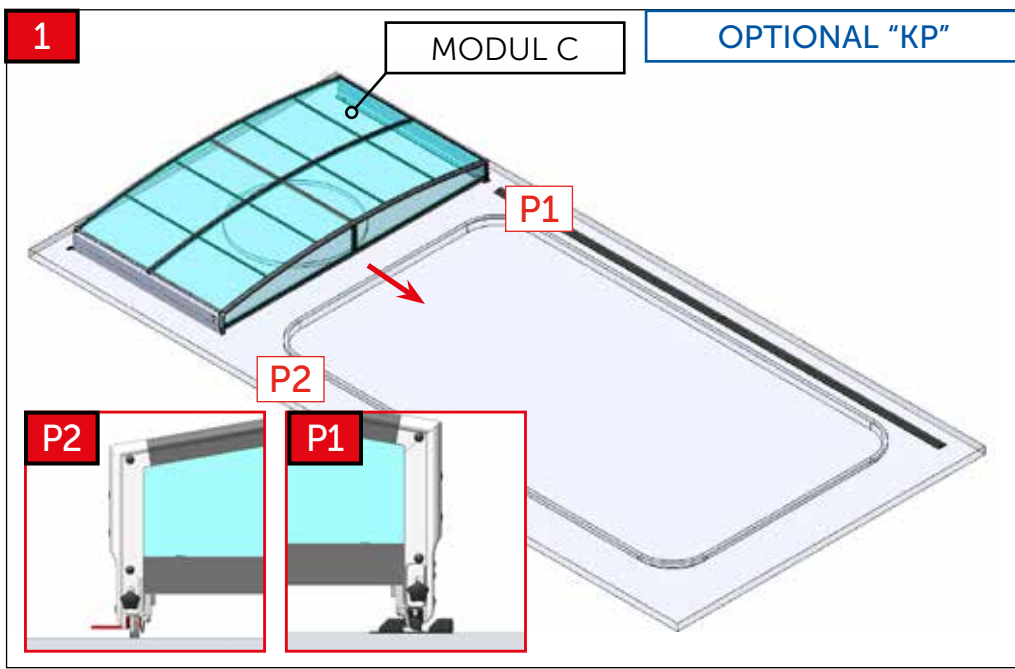
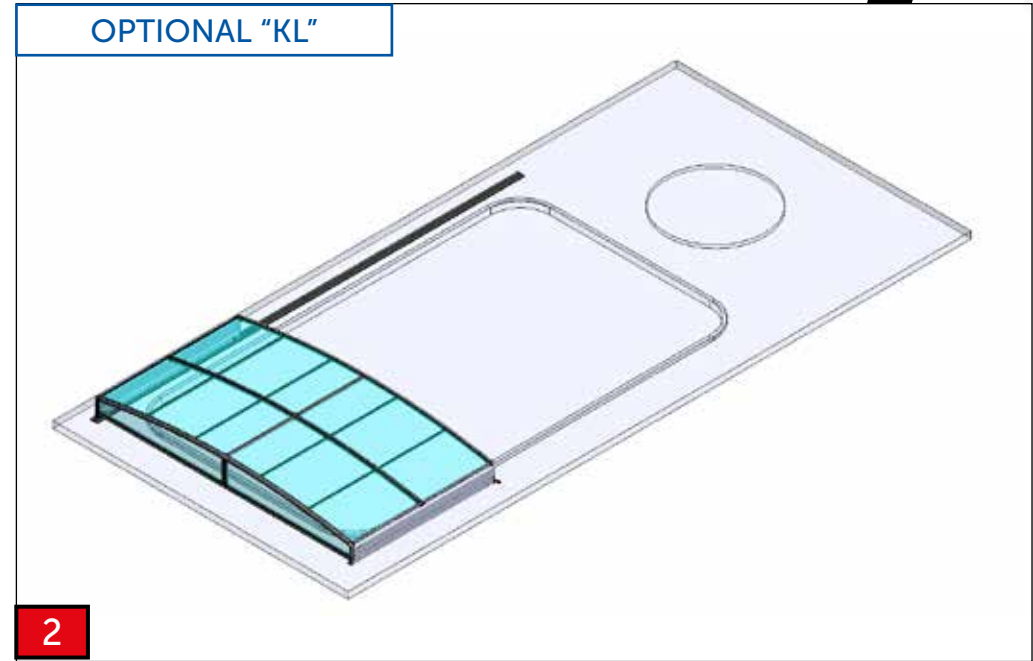
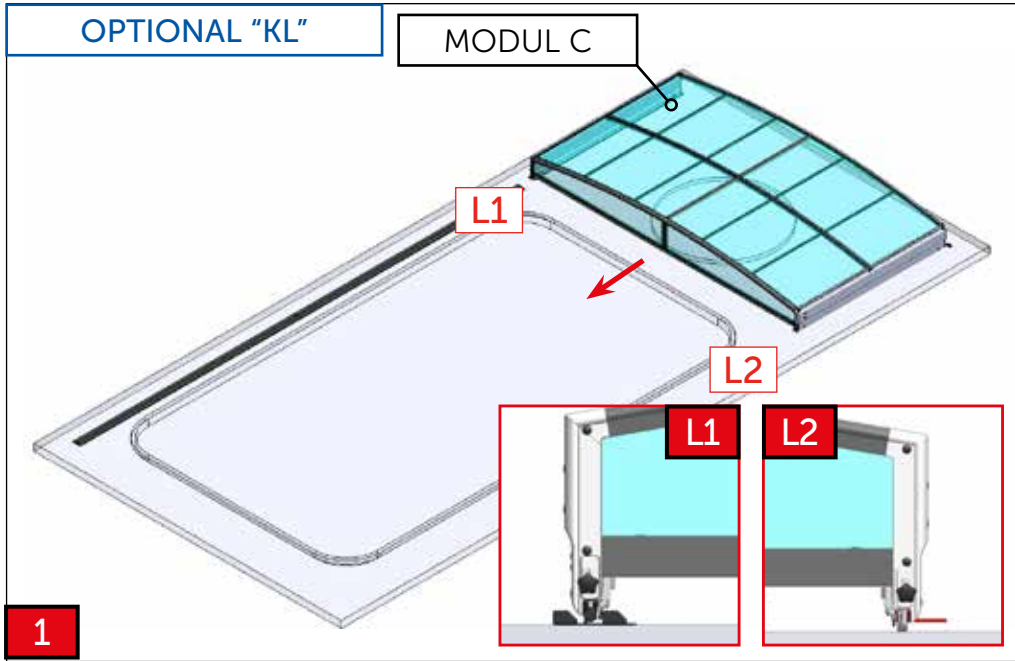
OPTIONAL "KL"

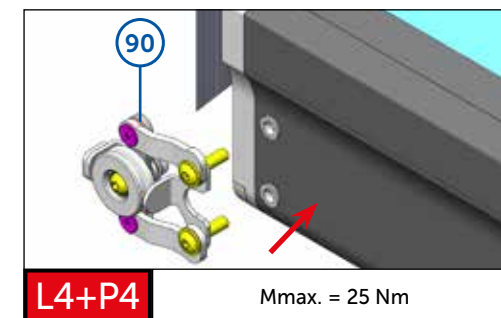
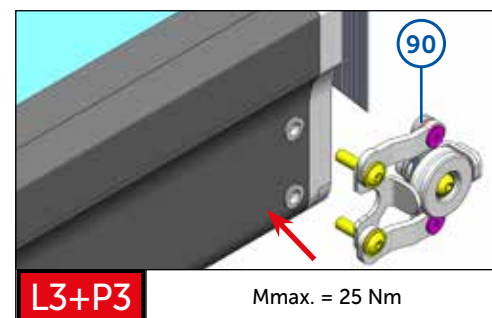
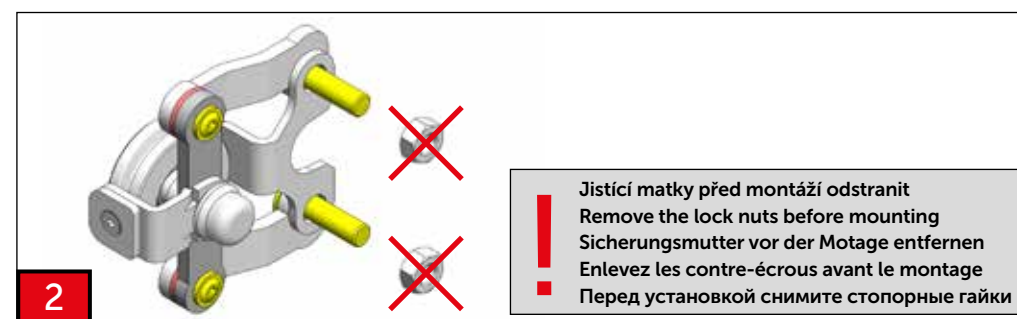
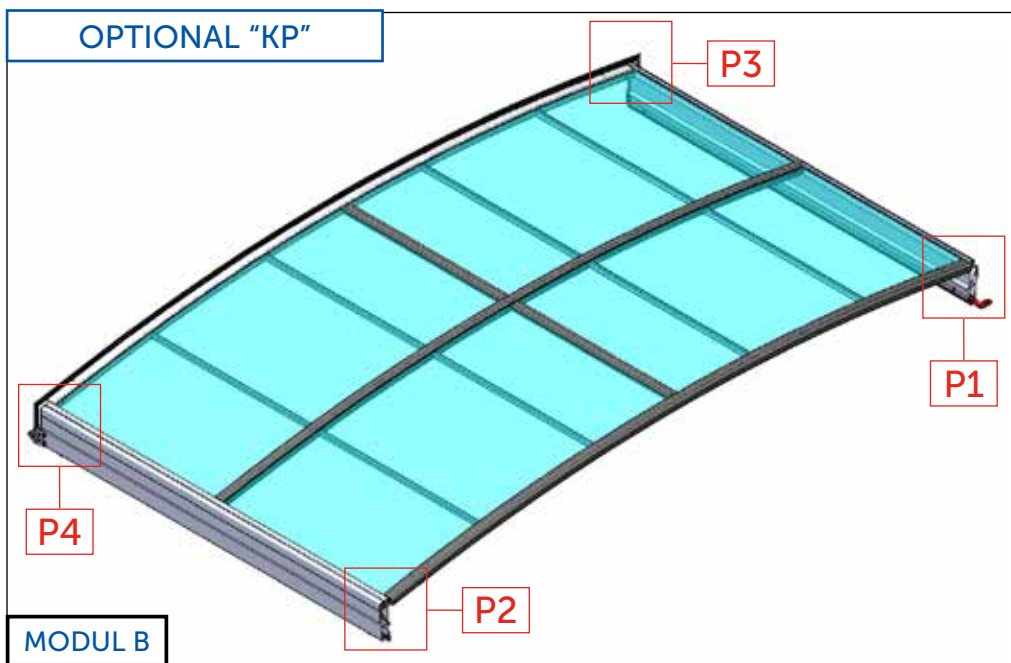
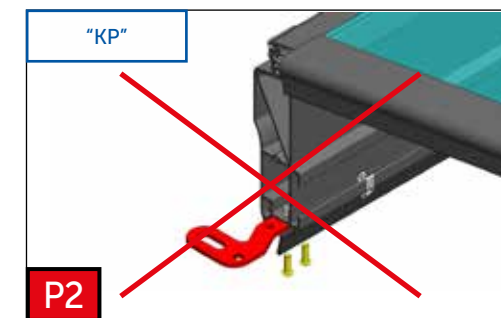
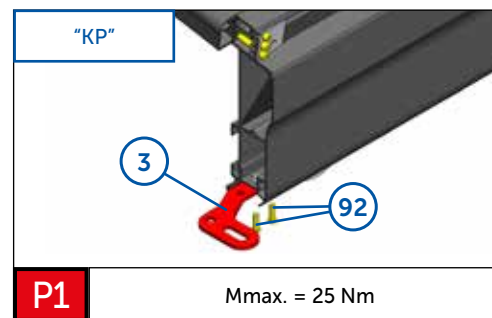
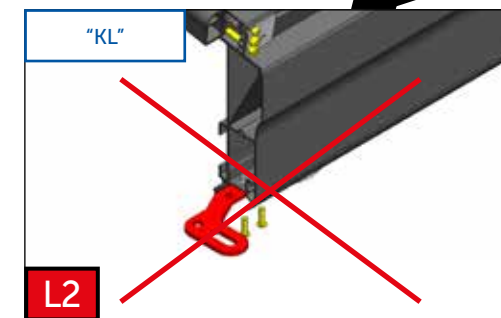
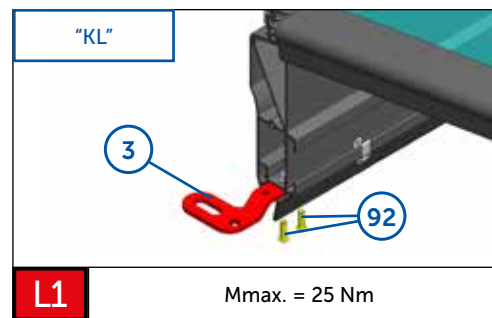
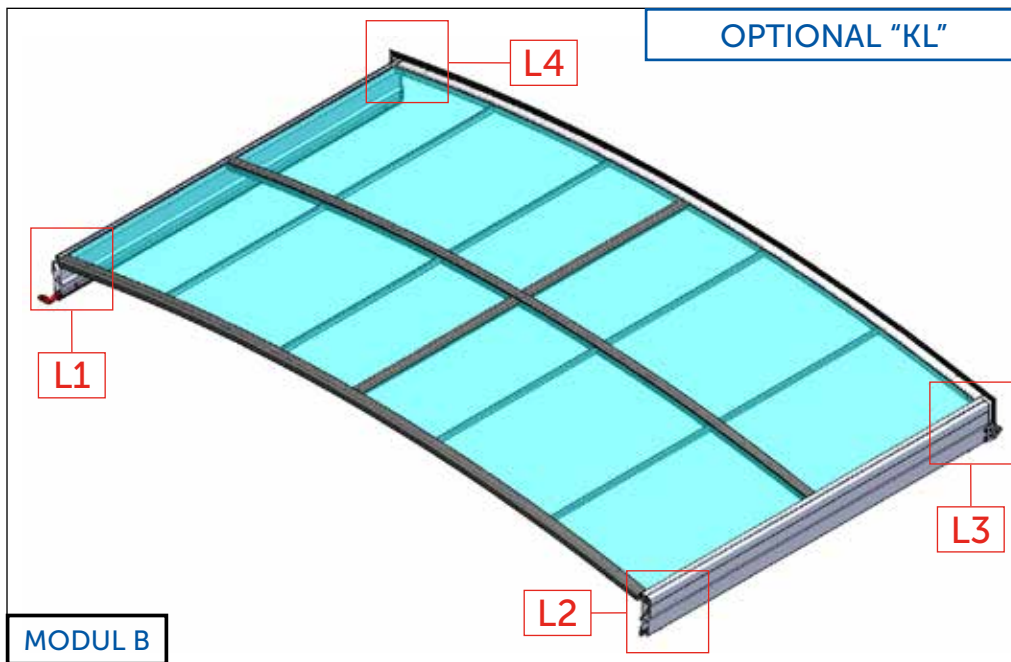


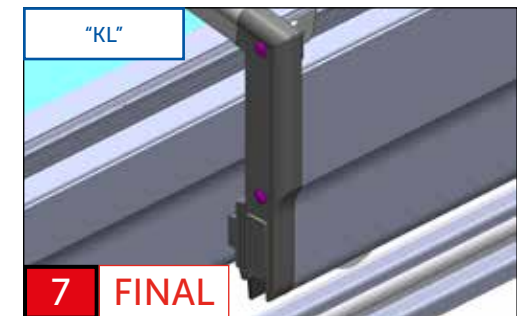
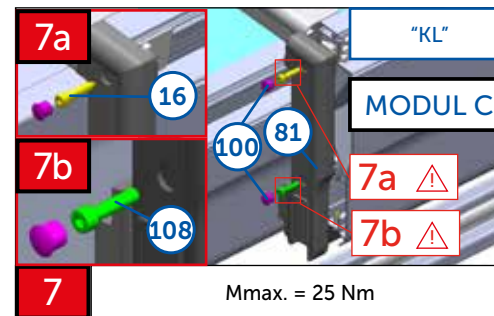
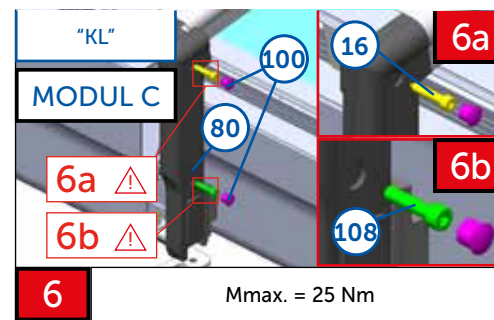
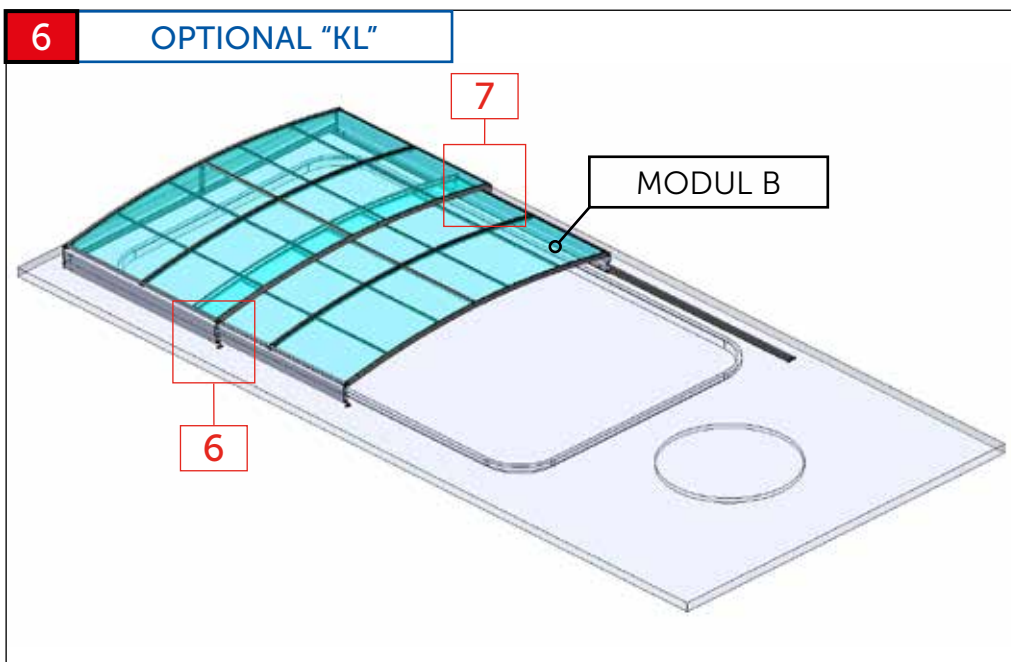
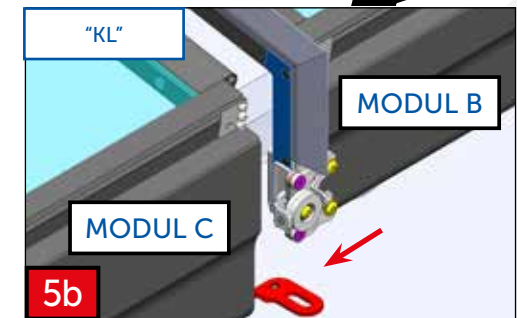
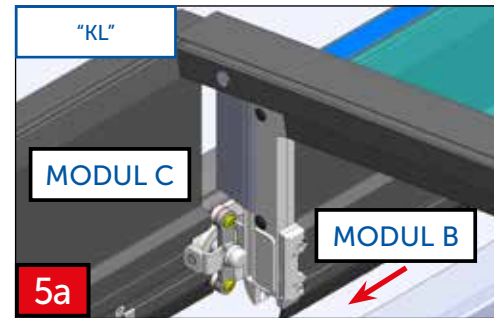
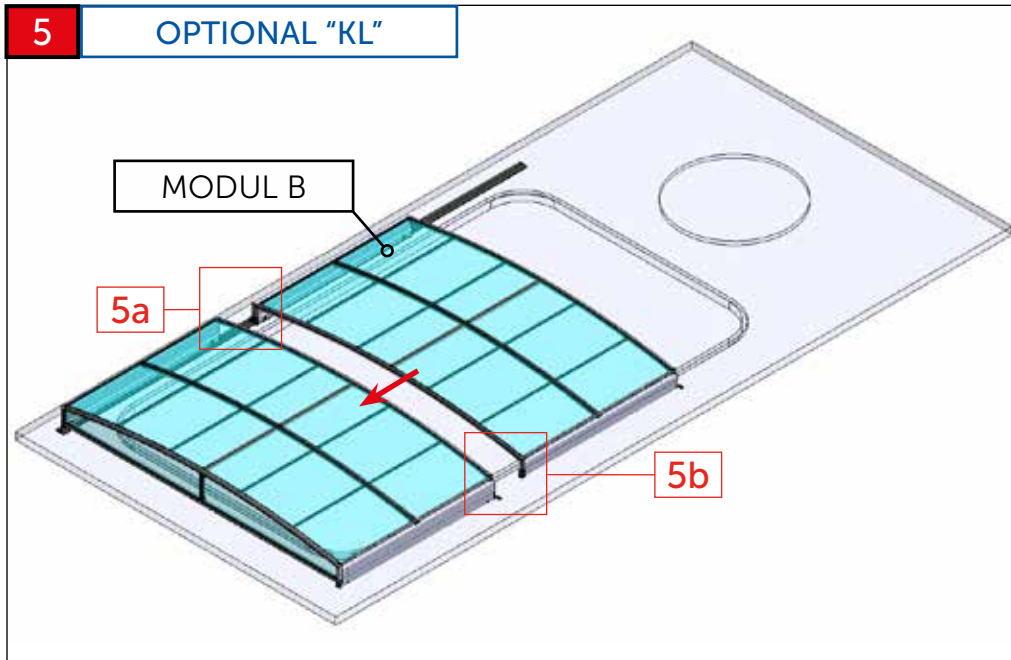
OPTIONAL "KP"

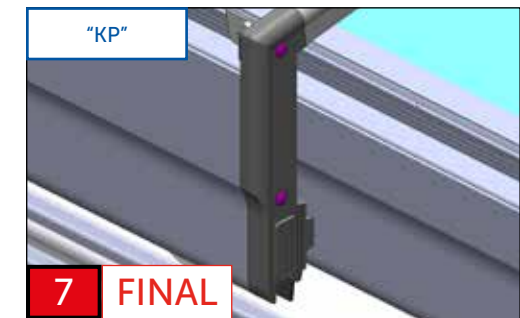
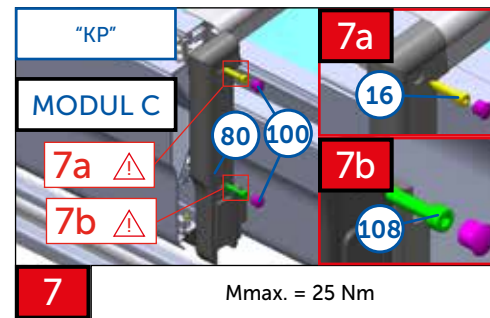
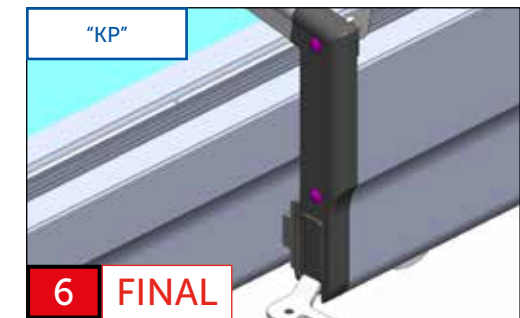
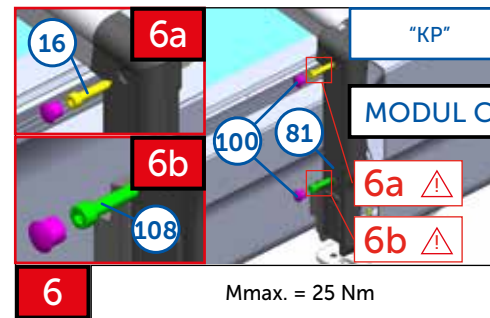
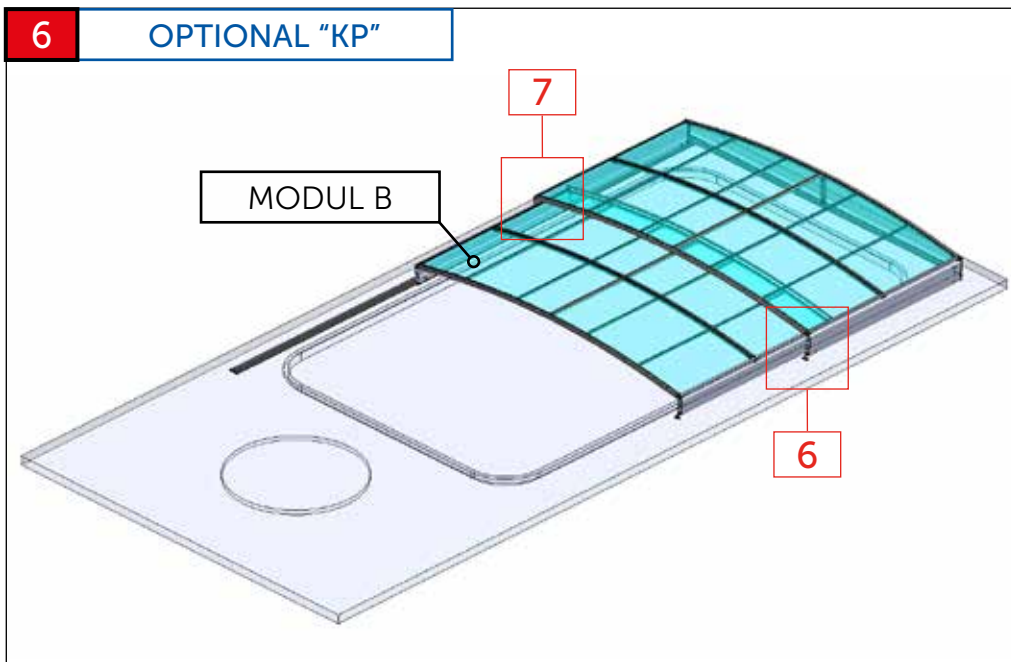
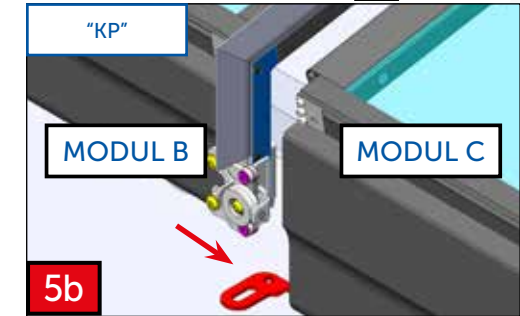
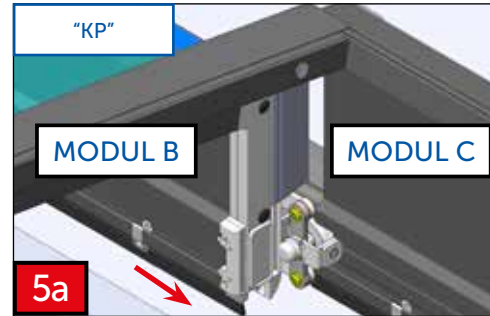
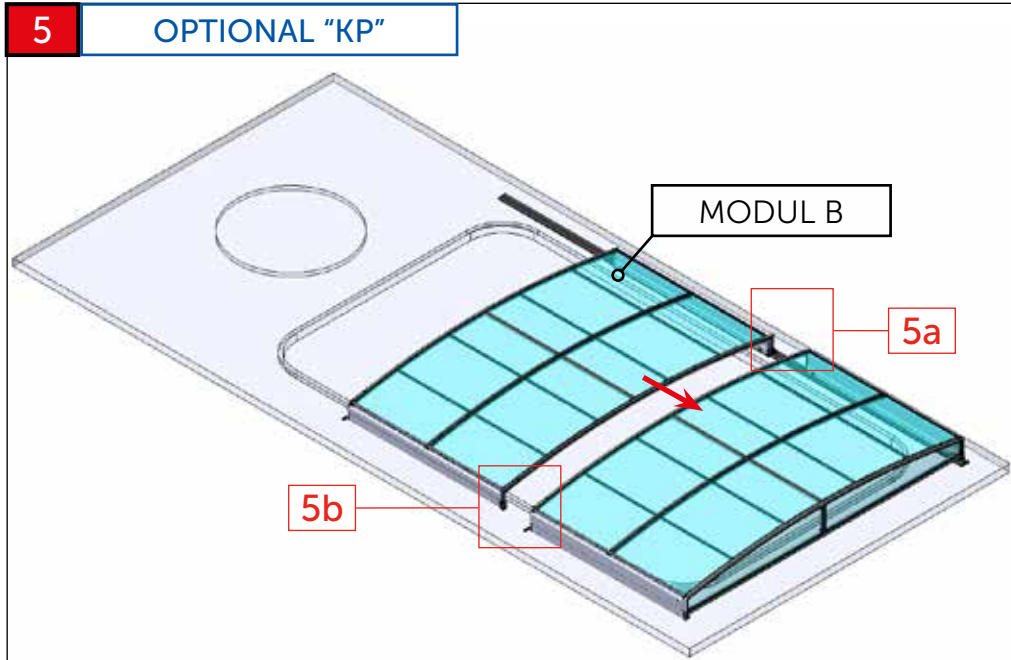


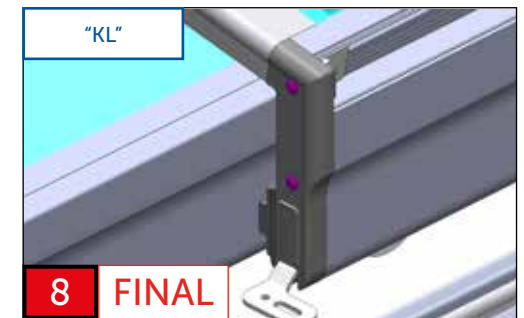
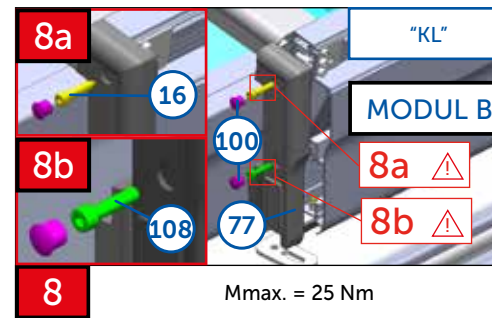
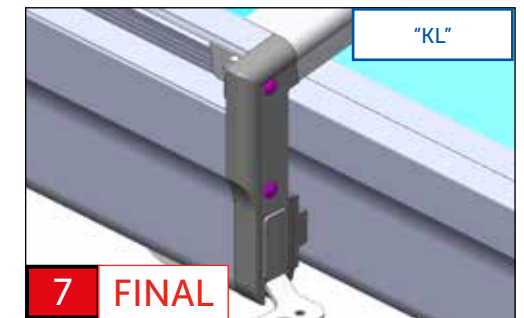
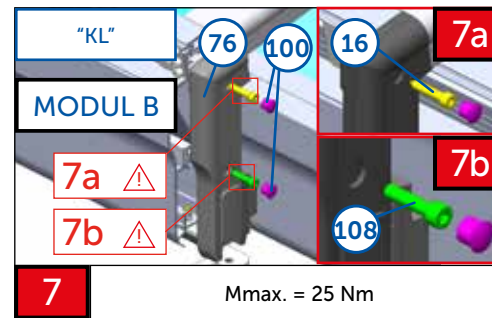
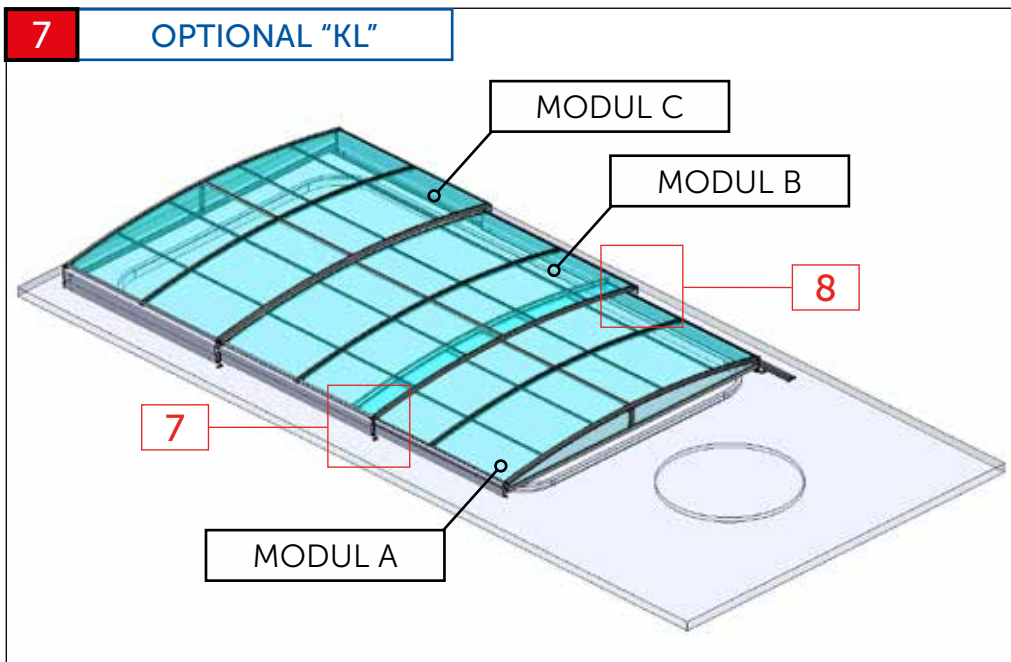
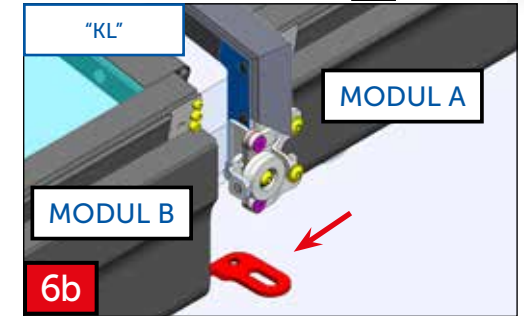
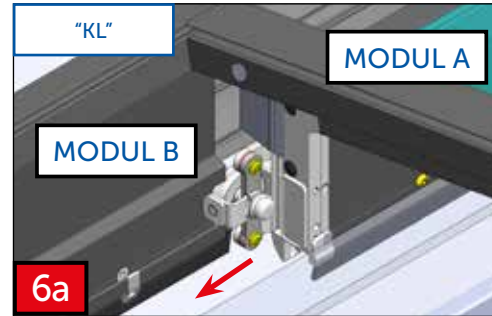
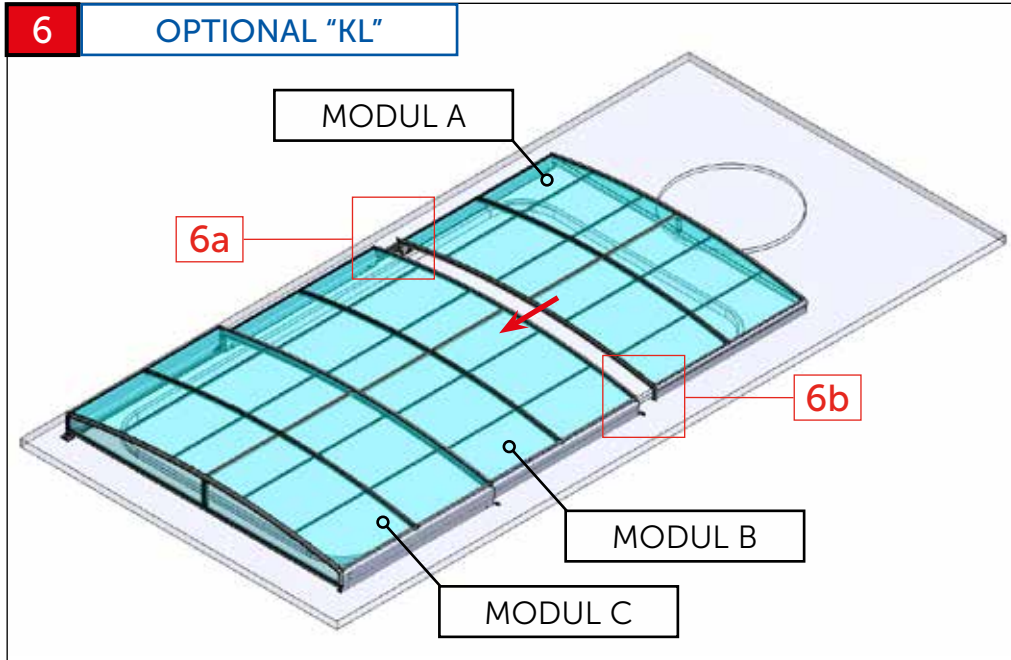


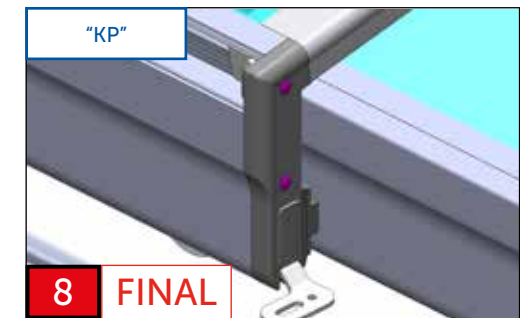
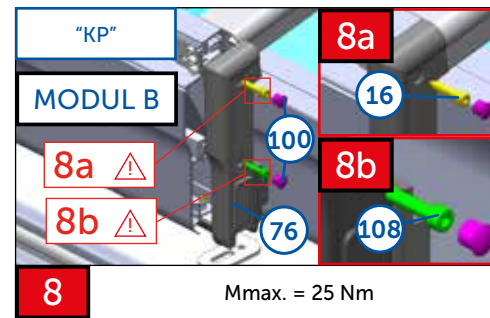
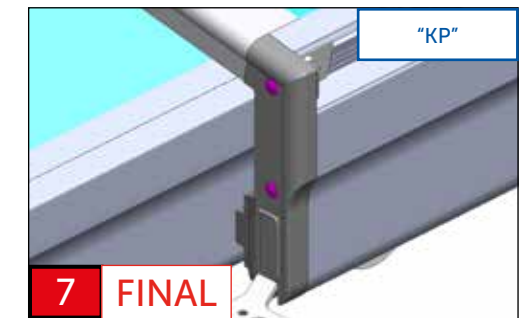
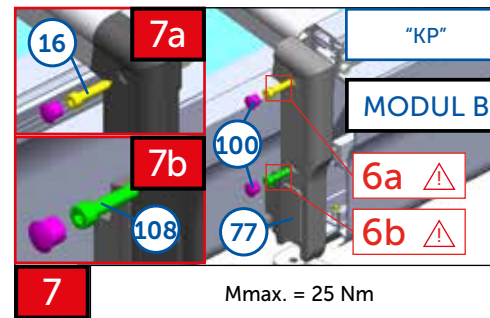
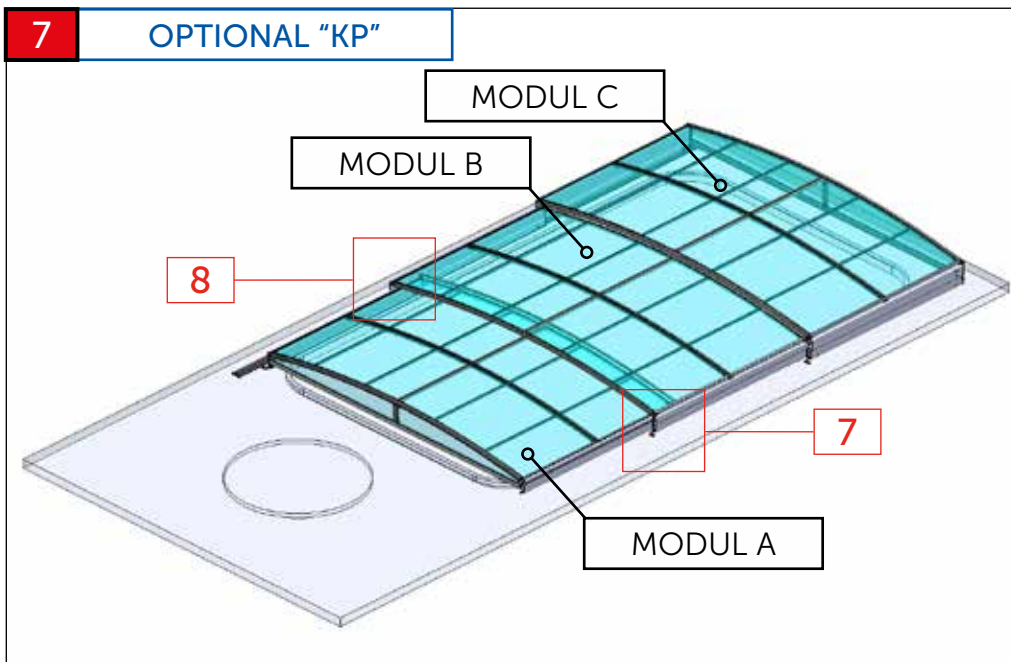
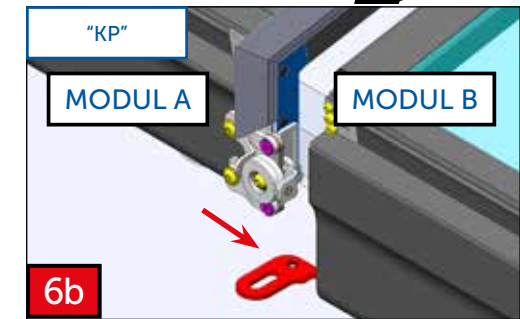
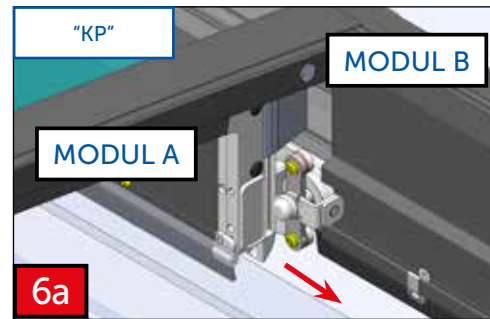
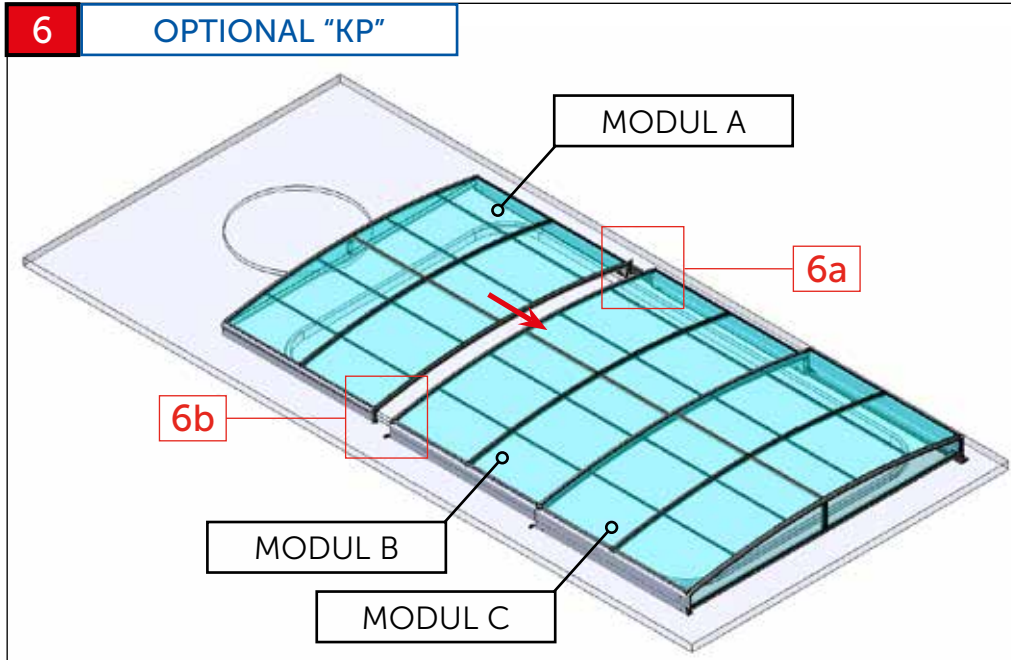


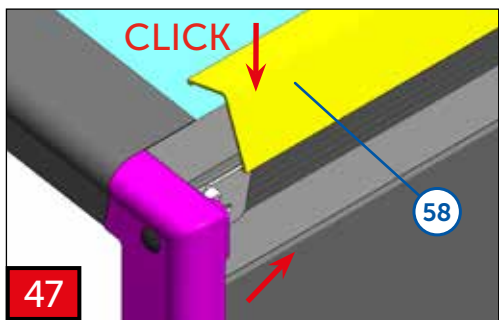
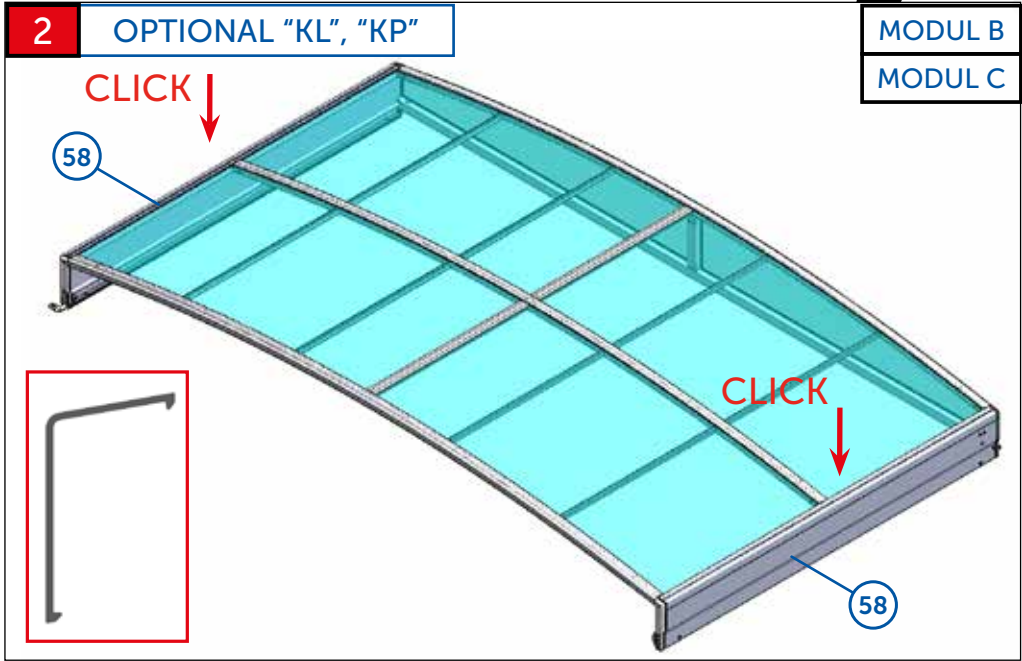
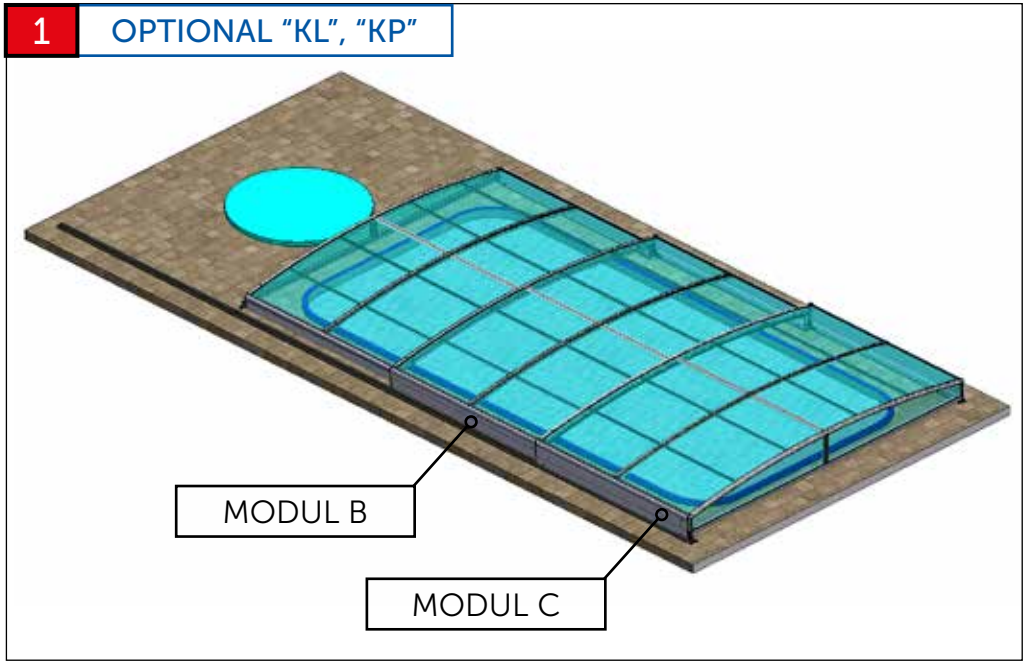


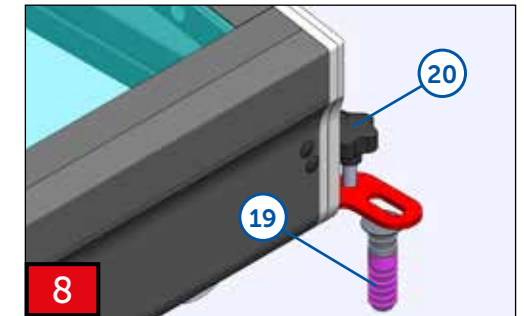
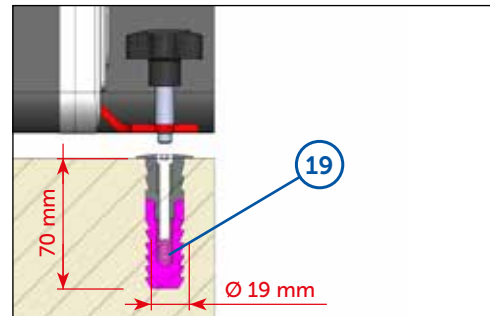
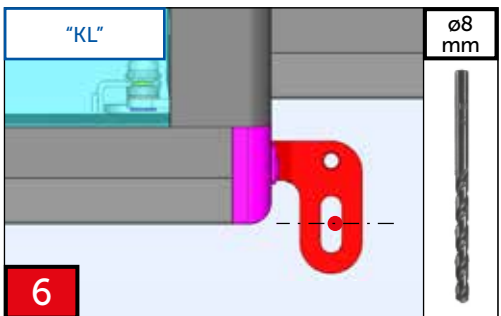
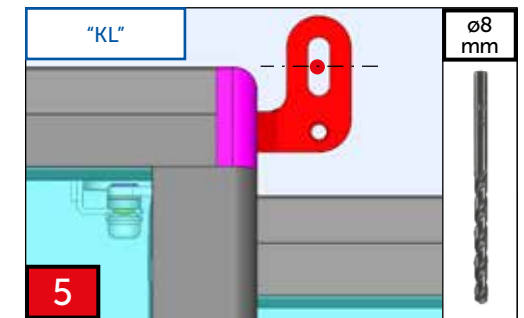
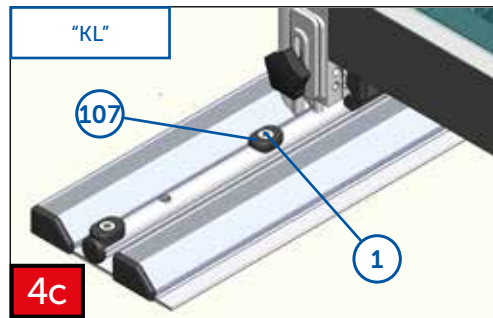
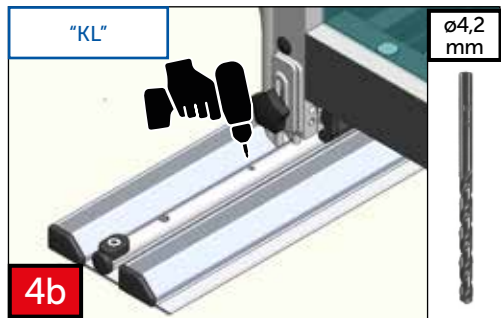
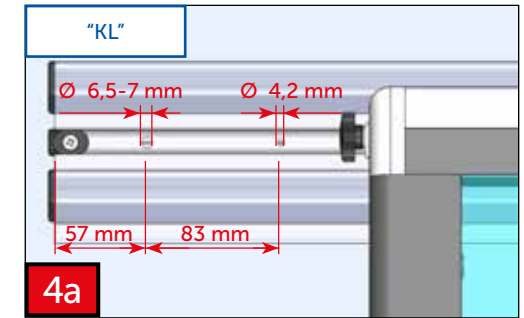
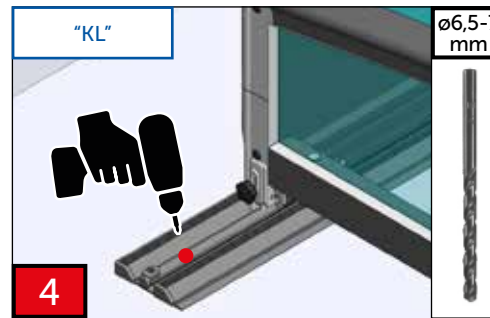
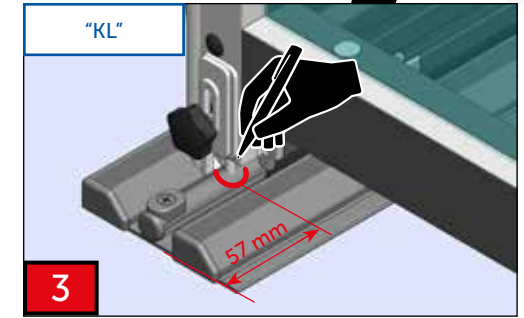
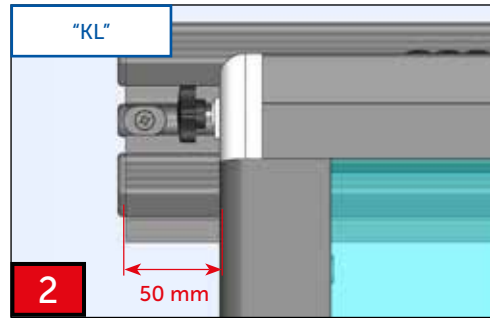
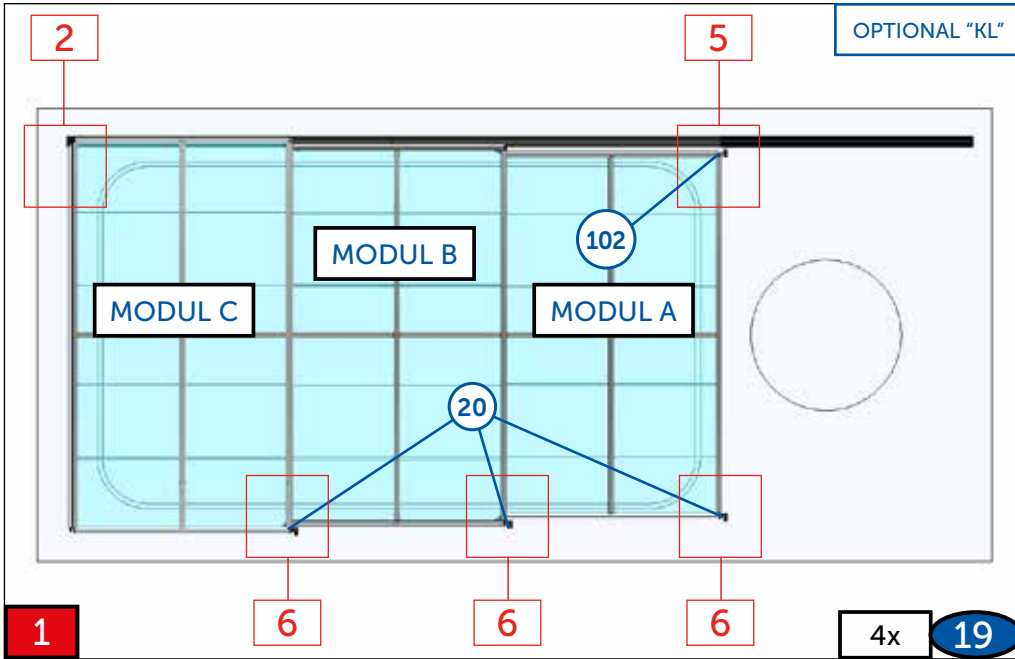




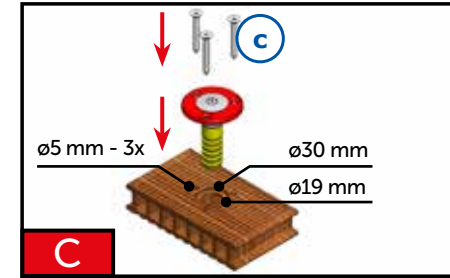
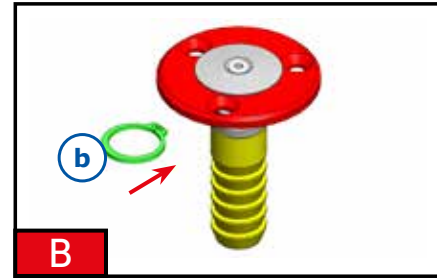
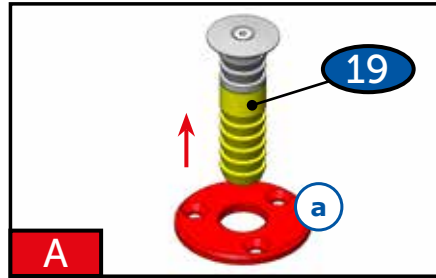




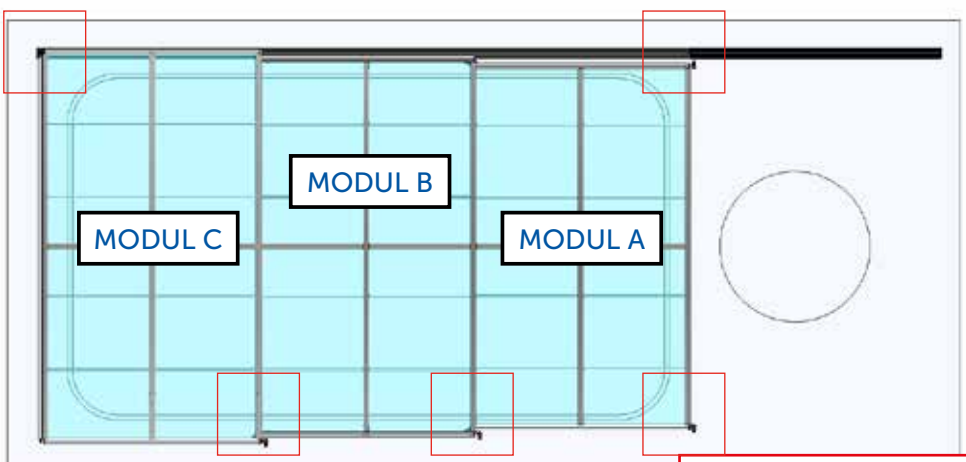




Pouze pro dřevěné a dřevoplastové podlahy
Only for wooden and wood-plastic floors
Nur für Holz- und Holz-Kunststoffböden
Uniquement pour les planchers en bois et en bois-plastique
Только для деревянных и древесно-пластиковых полов



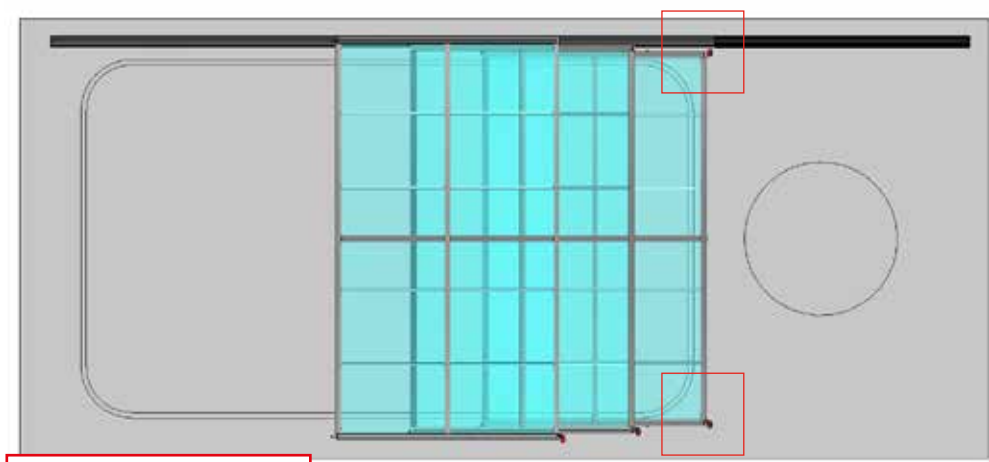
1 OPTIONAL "KL"



MODUL C MODUL B MODUL A

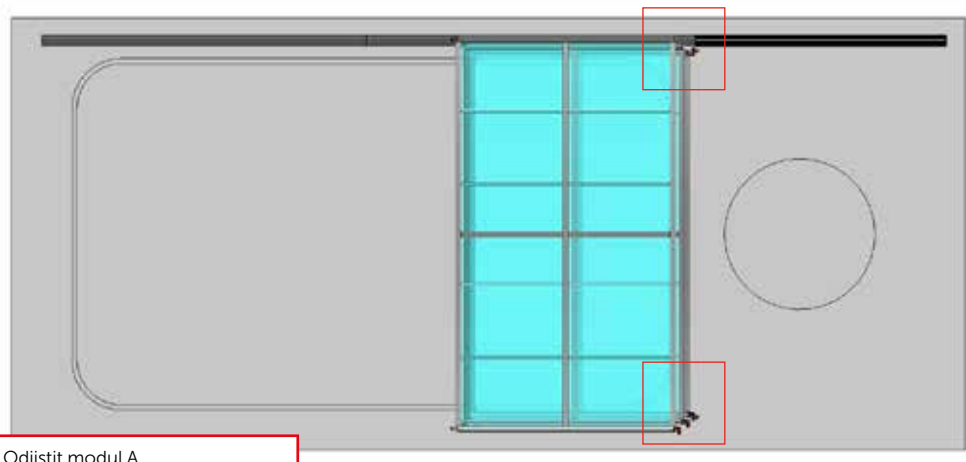
Odjistit modul B,C
 Unlock the module B,C
 Modul B,C entsperren
 Déverrouiller le module B,C
 Разблокировать модуль B,C

2 OPTIONAL "KL"



Zajištěný modul A
 Locked module A
 Modul A gesperrt
 Module A verrouillé
 Заблокированный модуль A

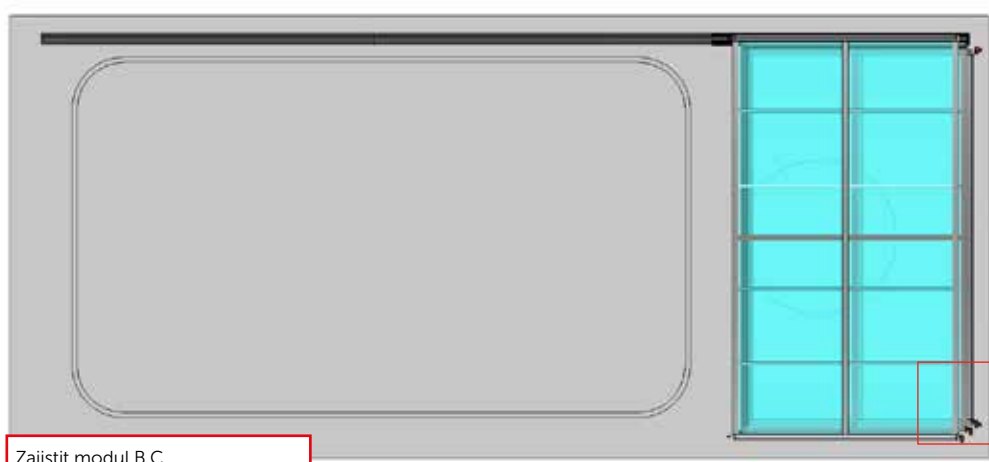
3 OPTIONAL "KL"



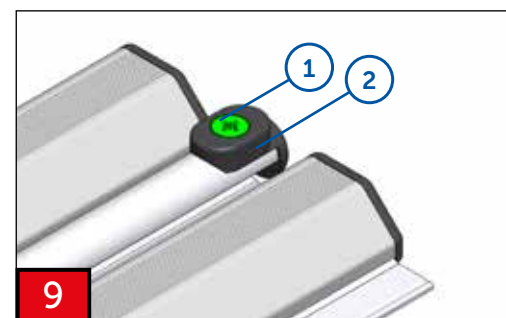
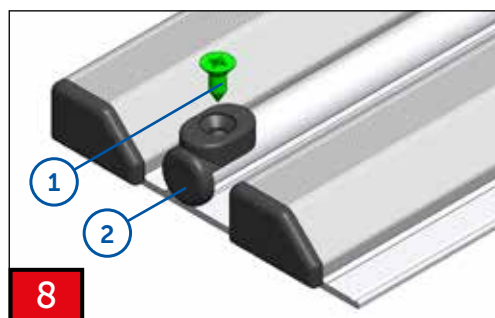
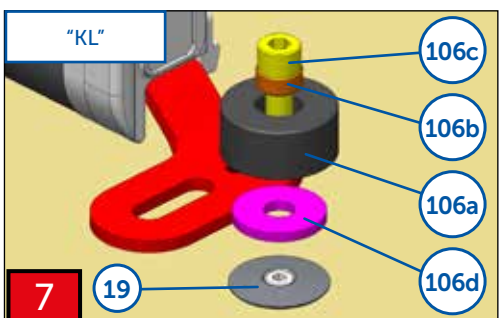
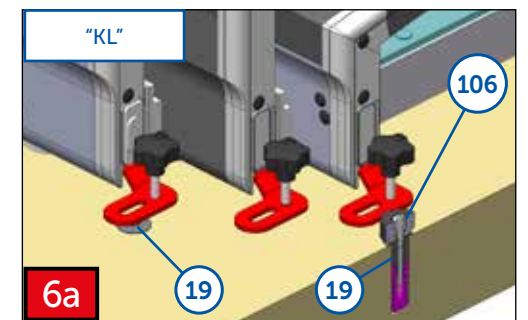
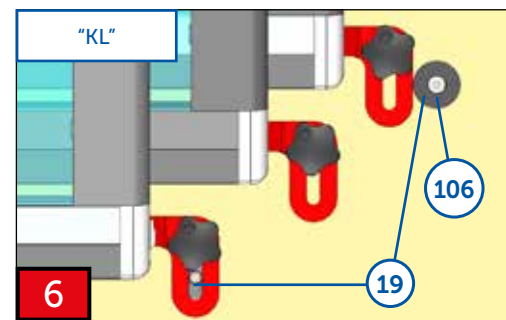
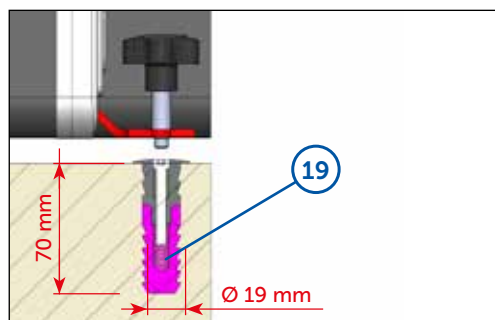
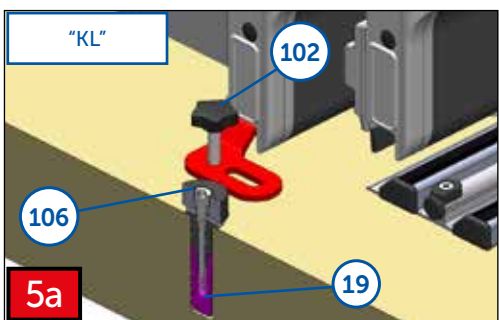
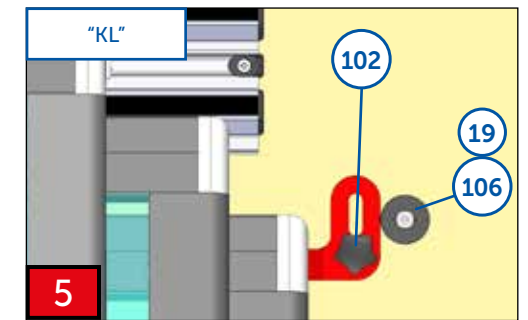
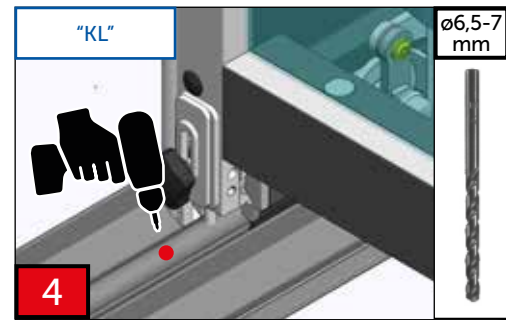
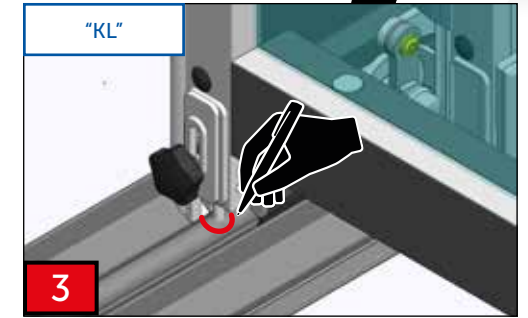
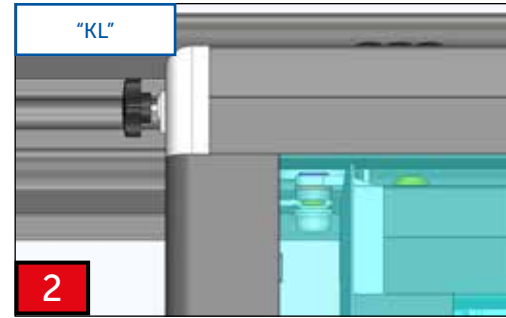
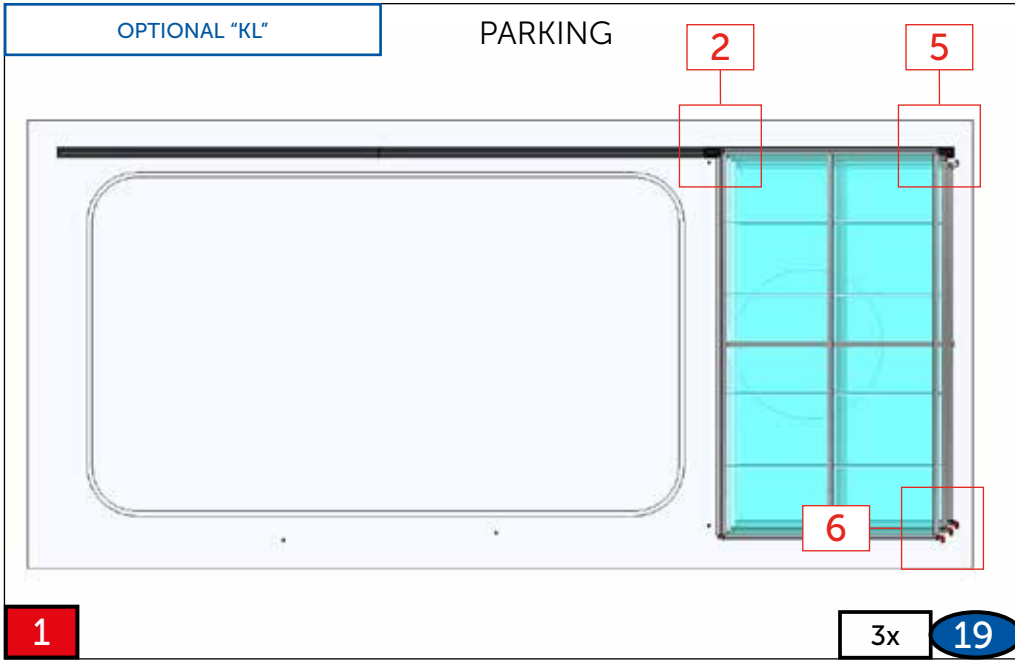
Odjistit modul A
 Unlock the module A
 Modul A entsperren
 Déverrouiller le module A
 Разблокировать модуль A

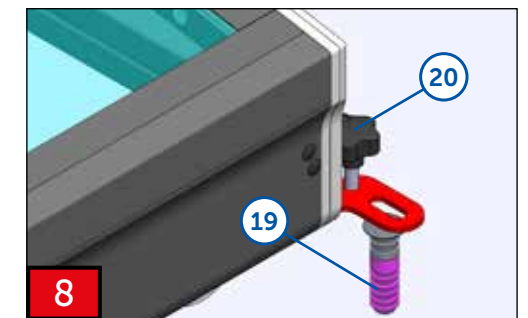
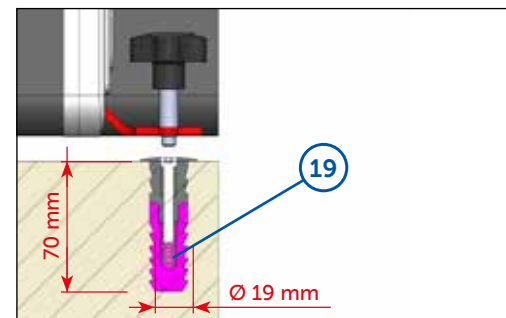
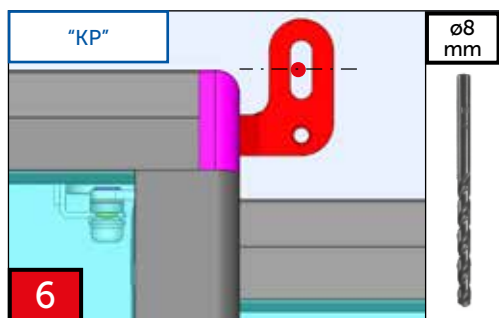
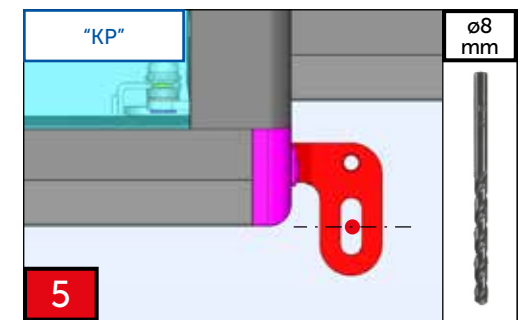
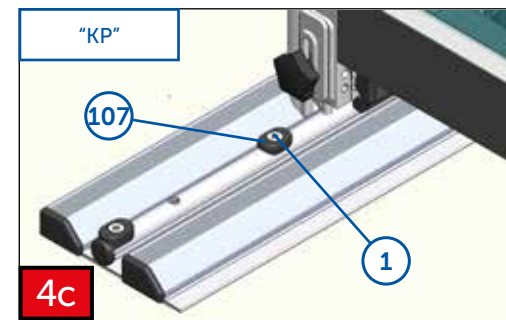
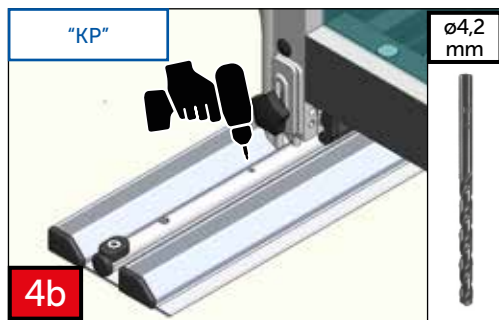
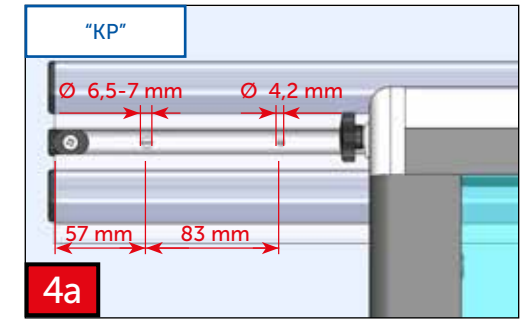
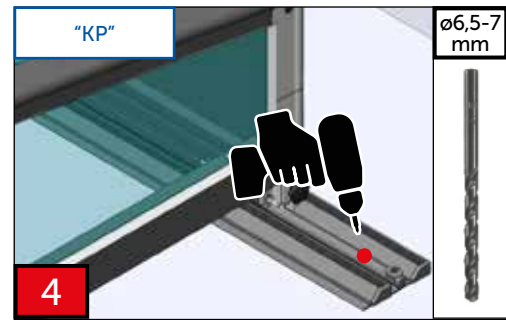
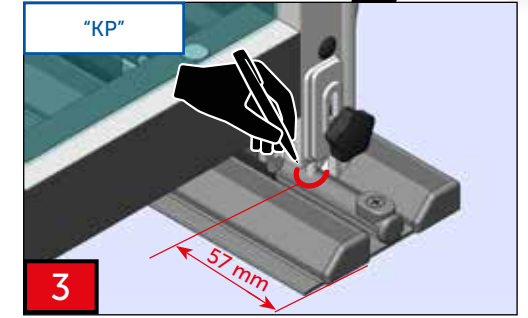
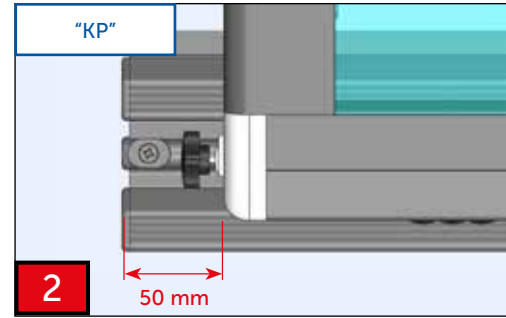
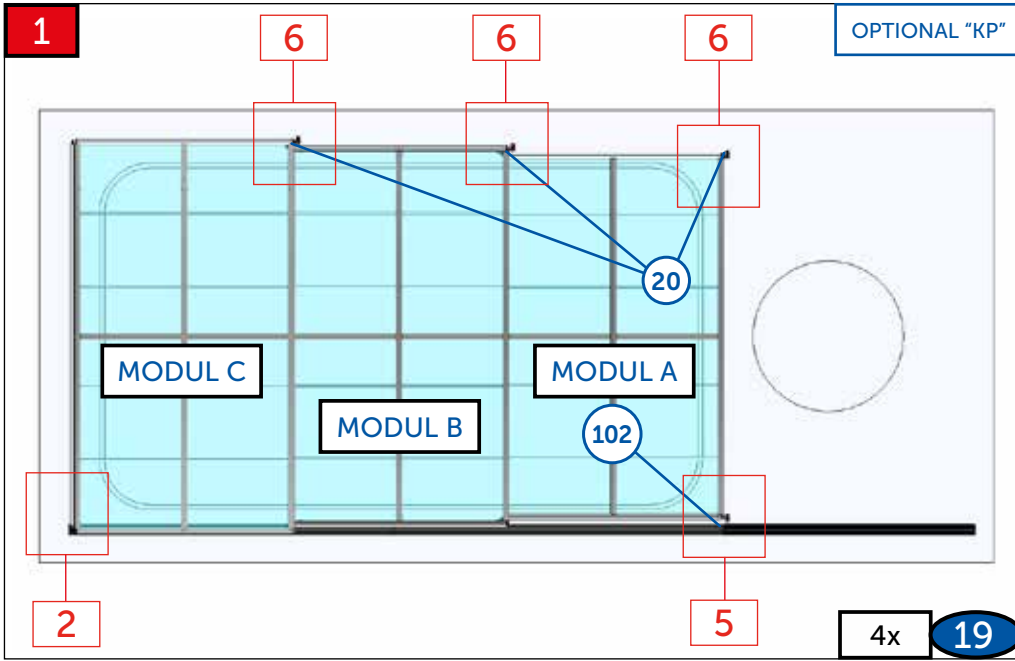
4 OPTIONAL "KL"

PARKING

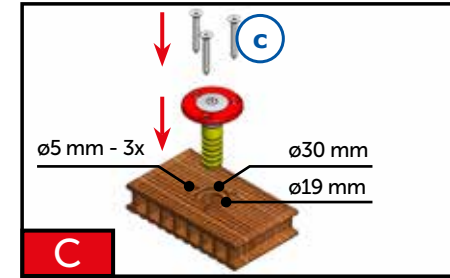
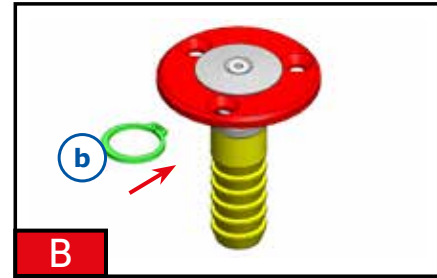
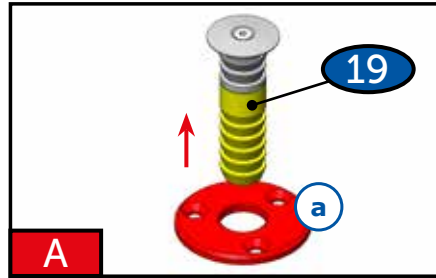


Zajistit modul B,C
 Lock the module B,C
 Modul A,B,C sperren
 Module de verrouillage B,C
 Блокировать модуль B,C

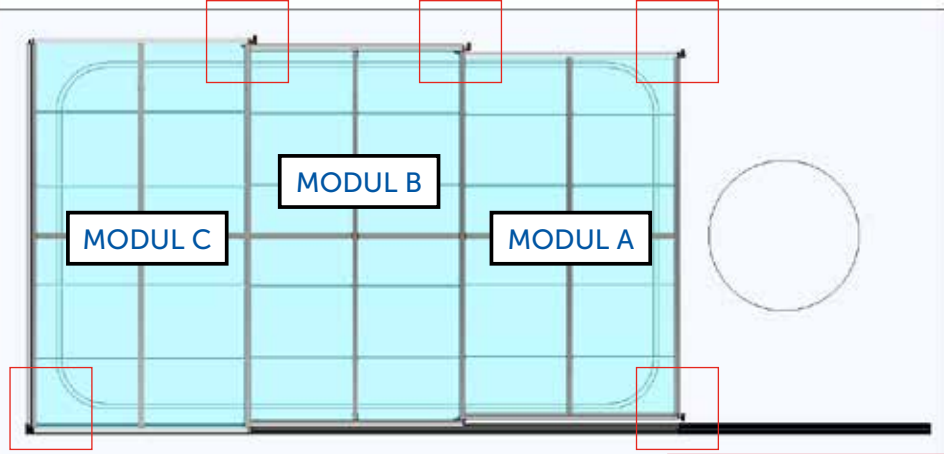




Pouze pro dřevěné a dřevoplastové podlahy
 Only for wooden and wood-plastic floors
 Nur für Holz- und Holz-Kunststoffböden
 Uniquement pour les planchers en bois et en bois-plastique
 Только для деревянных и древесно-пластиковых полов



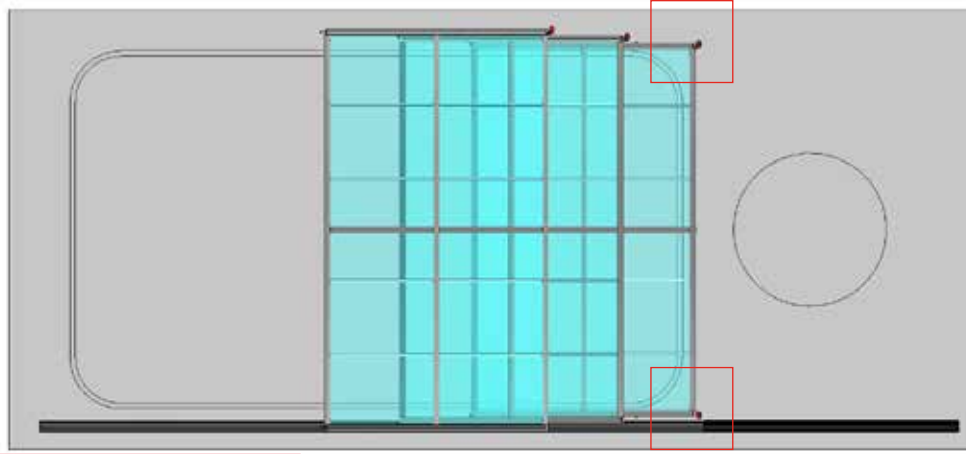
1 OPTIONAL "KL"



MODUL C MODUL B MODUL A

Odjistit modul B,C
 Unlock the module B,C
 Modul B,C entsperren
 Déverrouiller le module B,C
 Разблокировать модуль B,C

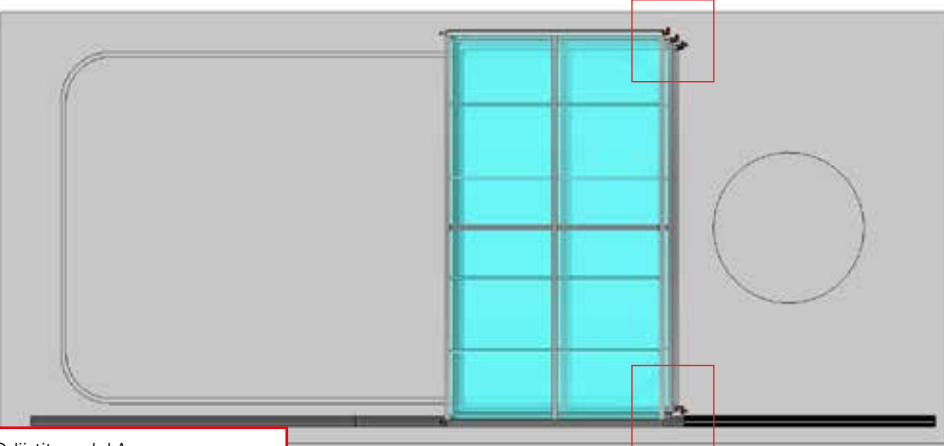
2 OPTIONAL "KL"



Zajištěný modul A
 Locked module A
 Modul A gesperrt
 Module A verrouillé
 Заблокированный модуль A

→

3 OPTIONAL "KL"




Odjistit modul A
 Unlock the module A
 Modul A entsperren
 Déverrouiller le module A
 Разблокировать модуль A

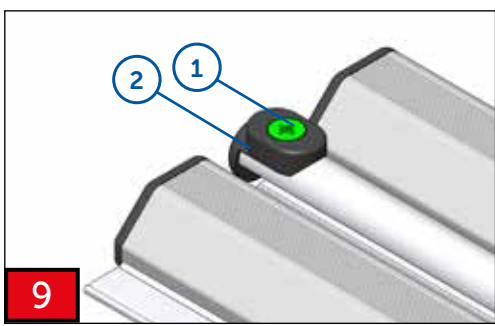
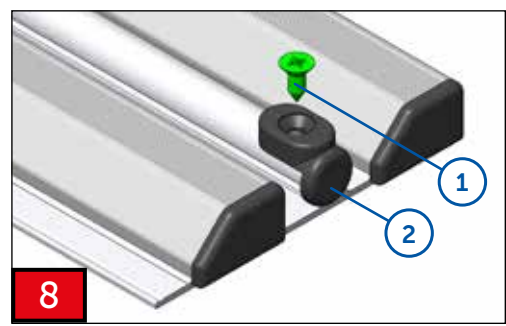
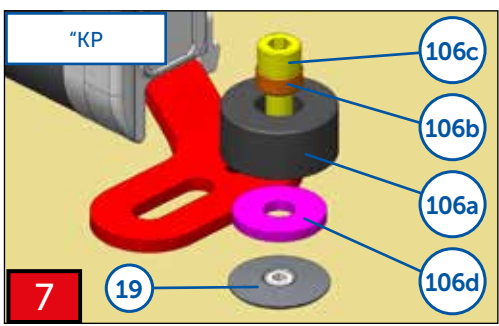
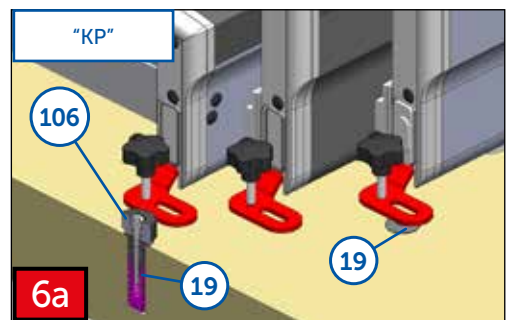
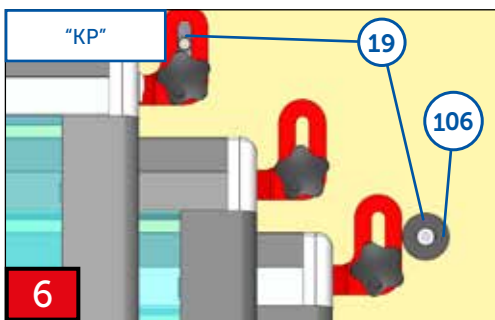
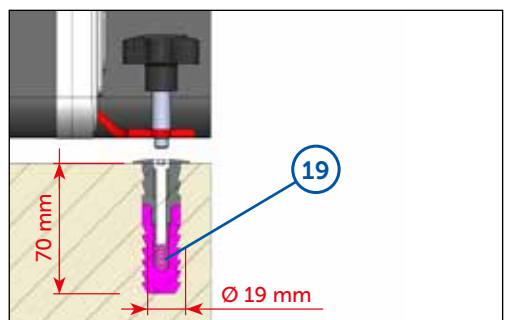
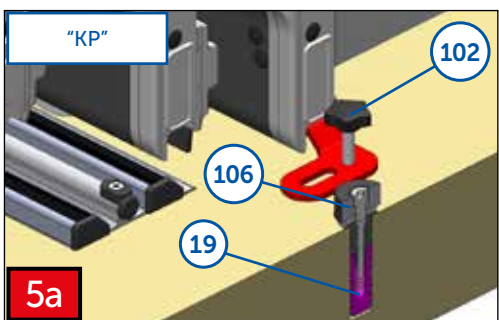
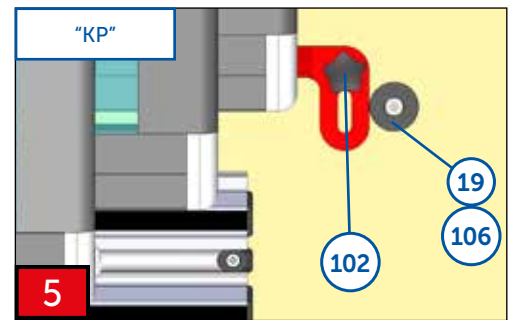
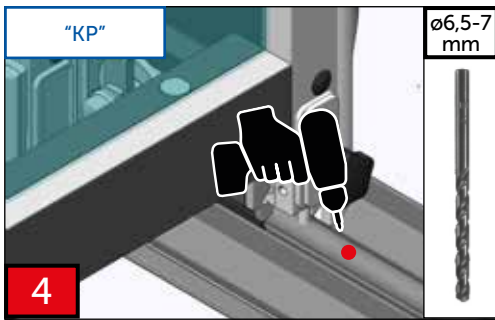
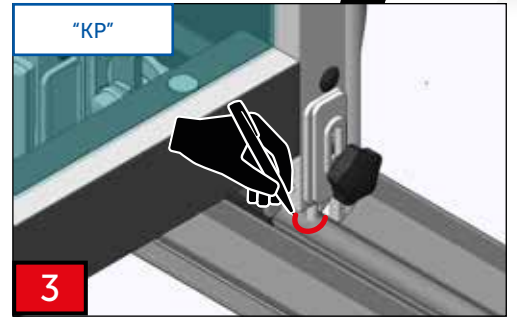
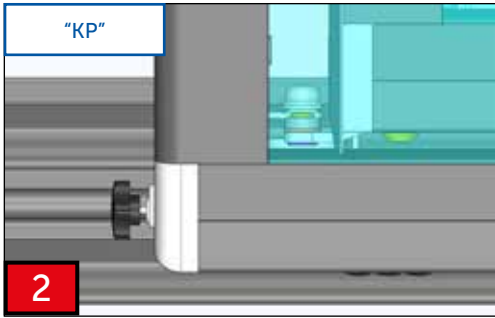
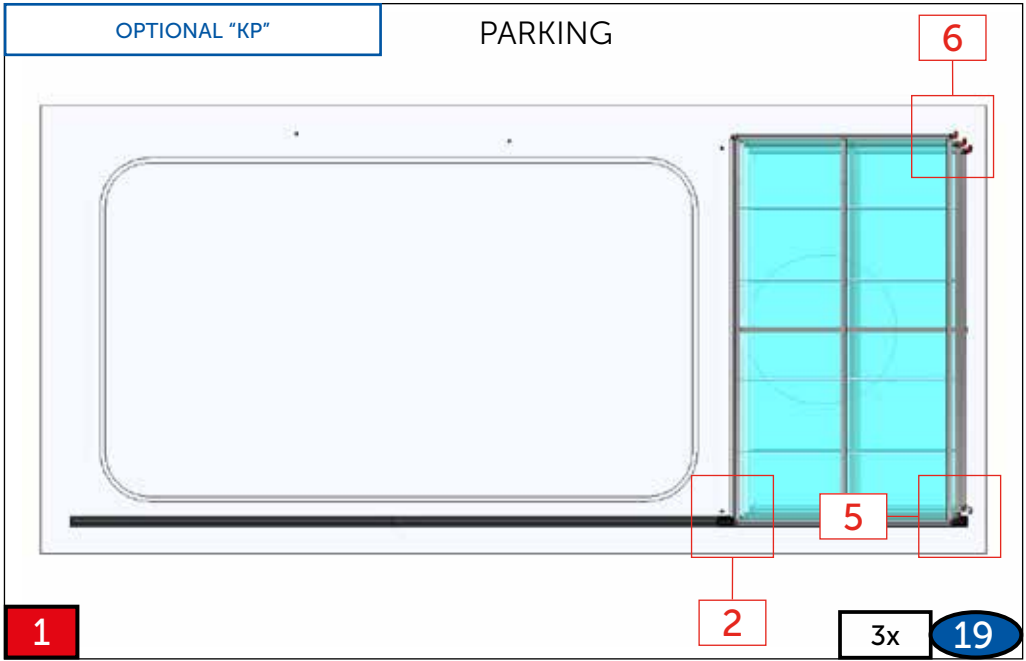
→

4 OPTIONAL "KL"

PARKING



Zajistit modul B,C
 Lock the module B,C
 Modul A,B,C sperren
 Module de verrouillage B,C
 Блокировать модуль B,C





CZ

Dodavatel si vyhrazuje právo na změny a úpravy technických parametrů uváděných v tomto katalogu s ohledem na technický vývoj a zdokonalení výrobků a balení.
Dodavatel si vyhrazuje právo na tiskové chyby a chyby v sazbě. Před montáží si pozorně přečtěte návod. Návod si uchovejte pro pozdější použití.

DE

Der Lieferant behält sich das Recht auf Änderungen und Anpassungen der technischen Parameter, die in diesem Katalog aufgeführt sind, mit Rücksicht auf die technische Entwicklung und Verbesserung der Produkte und Verpackung vor. Der Lieferant behält sich das Recht auf Druckfehler und Fehler im Satz vor.
Vor der Montage lesen Sie bitte die Anleitung sorgfältig durch. Bewahren Sie die Anleitung für spätere Verwendung auf.

EN

The supplier reserves the right for modifications and adaptations of the technical parameters stated in this catalogue, considering the technical development and upgrade of the products and packaging.
The supplier reserves the right for print errors and typographical errors. Please read the manual carefully before you will start the installation. Keep the manual for later use.

ES

El proveedor se reserva el derecho de hacer cambios y modificaciones técnicas de los parámetros que figuran en este catálogo, con respecto al desarrollo técnico mejorando los productos y embalajes.
El proveedor se reserva también el derecho a errores de impresión y composición. Antes de empezar la instalación, lea atentamente las instrucciones. Guarde las instrucciones para su uso posterior.

FR

Le fabricant se réserve le droit de modifier les paramètres techniques cités dans ce manuel en considération du développement technique et de l'amélioration des produits et de leur emballage. Le fabricant se réserve le droit des fautes d'impression et de composition. À lire attentivement et à conserver pour une consultation ultérieure.

HU

Gyártó fenntartja jogát a katalógusban feltüntetett műszaki paraméterek változtatására a termékek és csomagolás technikai fejlesztése és tökéletesítése szerint.
Szállító: a szállító fenntartja jogát a nyomtatási és szedési hibákra.

IT

Il fornitore si riserva il diritto di effettuare modifiche e correzioni ai parametri tecnici riportati nel presente catalogo per migliorare e perfezionare dal punto di vista tecnico i prodotti e gli imballaggi.
Il fornitore non esclude inoltre l'eventuale presenza di errori di stampa e di impaginazione. Prima dell'installazione, leggere attentamente le istruzioni. Tenere l'istruzione per un uso successivo.

PL

Dostawca zastrzega sobie prawo do zmian oraz dostosowania parametrów technicznych podanych w niniejszym katalogu z uwzględnieniem rozwoju technicznego i udoskonalania produktów oraz opakowań. Dostawca zastrzega sobie prawo do błędów druku oraz typograficznych.

PT

O provedor reserva-se o direito a efectuar alterações e adaptações de parâmetros técnicos mencionados neste catálogo, tendo em consideração o avanço técnico e melhorias de produtos e embalagens. O provedor reserva-se o direito a cometer erros de impressora e de edição.

RO

Furnizorul își rezervă dreptul de a modifica și schimba parametrii tehnici menționați în acest catalog cu privire la evoluția tehnică și perfecționarea produselor și a ambalării. Furnizorul își rezervă dreptul la greșelile de tipar și greșelile privind tarifele.

RU

Поставщик оставляет за собой право на изменение и исправление технических параметров продукции указанной в этом каталоге, с учетом технического развития, а усовершенствования изделий и его упаковки. Поставщик оставляет за собой право на опечатку в тексте и в ценах.
Перед установкой и эксплуатацией изделия внимательно ознакомьтесь с настоящим руководством. Сохраните данное руководство для дальнейшего использования.